



Accord®

60" Whirlpool Bath and Wall Surround
76240110



Features

- Alcove installation
- 15" apron
- Solid Vikrell material
- Left drain
- Six adjustable-flow whirlpool jets
- Premounted pump and front access panel for easy access to system
- Pivot snap-together modular design
- Smooth, high-gloss walls
- No caulk required
- Four corner shelves

Recommended Accessories

- 500C-59 Framed Sliding Bath Door
- 690B-59 Framed Sliding Bath Door
- 5325EZ-57 Frameless Sliding Bath Door
- 5425-57 Frameless Sliding Bath Door
- 5425-59 Frameless Sliding Bath Door
- 5905-59 Framed Sliding Bath Door
- 5906-59 Framed Sliding Bath Door
- 5907-59 Framed Sliding Bath Door
- 542808-59 Frameless Sliding Bath Door
- 572005-59 Framed Sliding Bath Door
- 581005-59 Frameless Sliding Bath Door

Components

Product includes:

- 76141110 60" Whirlpool Bath
- 71244100 60" Smooth Wall Set



Codes/Standards

- ASME A112.19.7/CSA B45.10
- IAPMO/ANSI Z124.5
- CSA B45.5/IAPMO Z124
- ASTM E162
- ASTM E662
- UL 1795
- Greenguard UL 2818 - Gold

Warranty – Bathing Fixtures (and) Kitchen and Utility Sinks Made of Solid Vikrell® Material

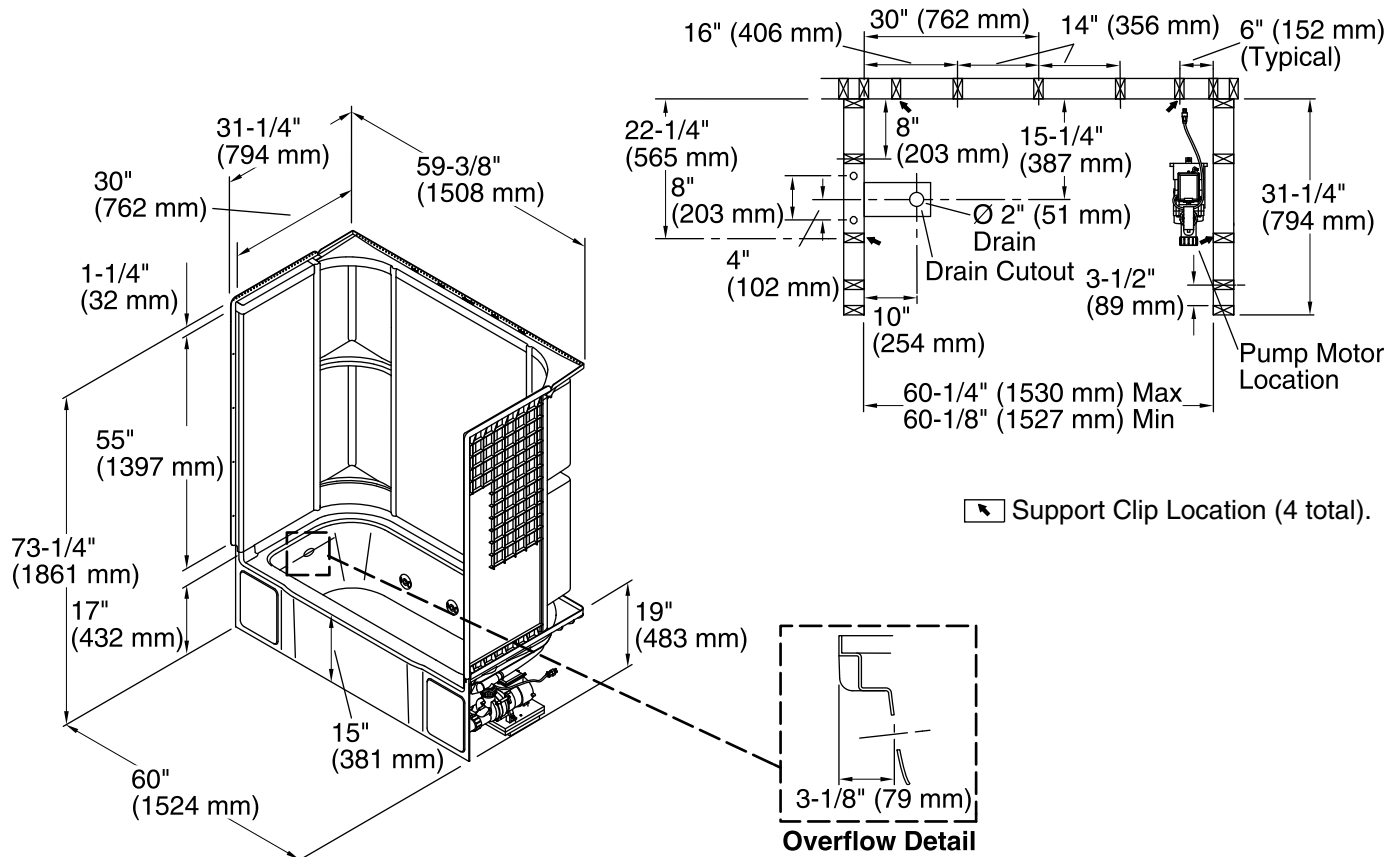
See website for detailed warranty information.

1-800-STERLING (1-800-783-7546)

Kohler Co. reserves the right to make revisions without notice to product specifications.

For the most current Specification Sheet, go to www.sterlingplumbing.com.

12-4-2018 15:43 - US



☐ Support Clip Location (4 total).

Overflow Detail

Required Electrical Service

One dedicated circuit required, protected with Class A Ground-Fault Circuit-Interrupter (GFCI) or Residual Current Device (RCD).

Pump: 120 V, 15 A, 60 Hz

Technical Information

All product dimensions are nominal.

- Installation: 3-Wall Alcove
- Drain location: Left
- Basin area, bottom: 46-1/4" x 20-1/2" (1175 mm x 521 mm)
- Basin area, top: 52-1/4" x 22-1/2" (1327 mm x 572 mm)
- Water depth: 11" (279 mm)
- Water capacity: 34 gal (128.7 L)
- Electrical component rating: Pump: 120 V, 7 A, 60 Hz
- Pump speed: Single
- Minimum flat for door: 2-3/4" (70 mm)
- Maximum door height: 56-1/2" (1435 mm)
- Maximum door width: 56-3/4" (1441 mm)

Notes

- Install this product according to the installation instructions.
- Provide one grounded electrical outlet within 24" (610 mm) of each component.
- Measure your actual product for roughing-in details.
- Pump is supplied with 24" (610 mm) grounding-type plug-in cord.
- Locate the outlet behind the whirlpool, and within 24" (610 mm) of the pump.
- Do not disassemble the pump or piping as this could void the warranty.
- Bath cannot be installed without the wall surround.
- The width of the module gets 5/8" (16 mm) narrower at the back. Furring strips (approximately 1/4" (6 mm)) should be used at the back corner studs if drywall will overlap the nailing flange.