



A KOHLER COMPANY

# Ensemble™ 42" Whirlpool Bath 76111110



## Features

- Left drain.
- Integral apron with removable access panel.
- Durable high-gloss finish.
- 16" (406 mm) bath whirlpool depth (floor to top of threshold).
- 60-1/4" (1530 mm) x 43-1/2" (1105 mm) x 20" (508 mm) complete unit rough-in dimensions include flange.
- 60" (1524 mm) x 42" (1067 mm) x 19" (483 mm) complete unit finished dimensions.

## Material

- Compression-molded from our exclusive solid Vikrell® material.

## Hydrotherapy

- Six fully-adjustable hydro-massage jets (color-matched and factory-installed).
- Pump with air switch and grounding-type plug-in cord.

## Installation

- Alcove

## Recommended Accessories

- 5325EZ-59 Frameless Sliding Bath Door
- 5425-59 Frameless Sliding Bath Door
- 5427-59 Frameless Sliding Bath Door
- 542808-59 Frameless Sliding Bath Door



ADA

## Codes/Standards



- ASME A112.19.7/CSA B45.10
- CSA B45.5/IAPMO Z124
- ASTM E162
- ASTM E662
- UL 1795
- Greenguard UL 2818 - Gold
- ADA
- ICC/ANSI A117.1

## Warranty – Bathing Fixtures (and) Kitchen and Utility Sinks Made of Solid Vikrell® Material

See website for detailed warranty information.

## Available Color/Finishes

*Color tiles intended for reference only.*

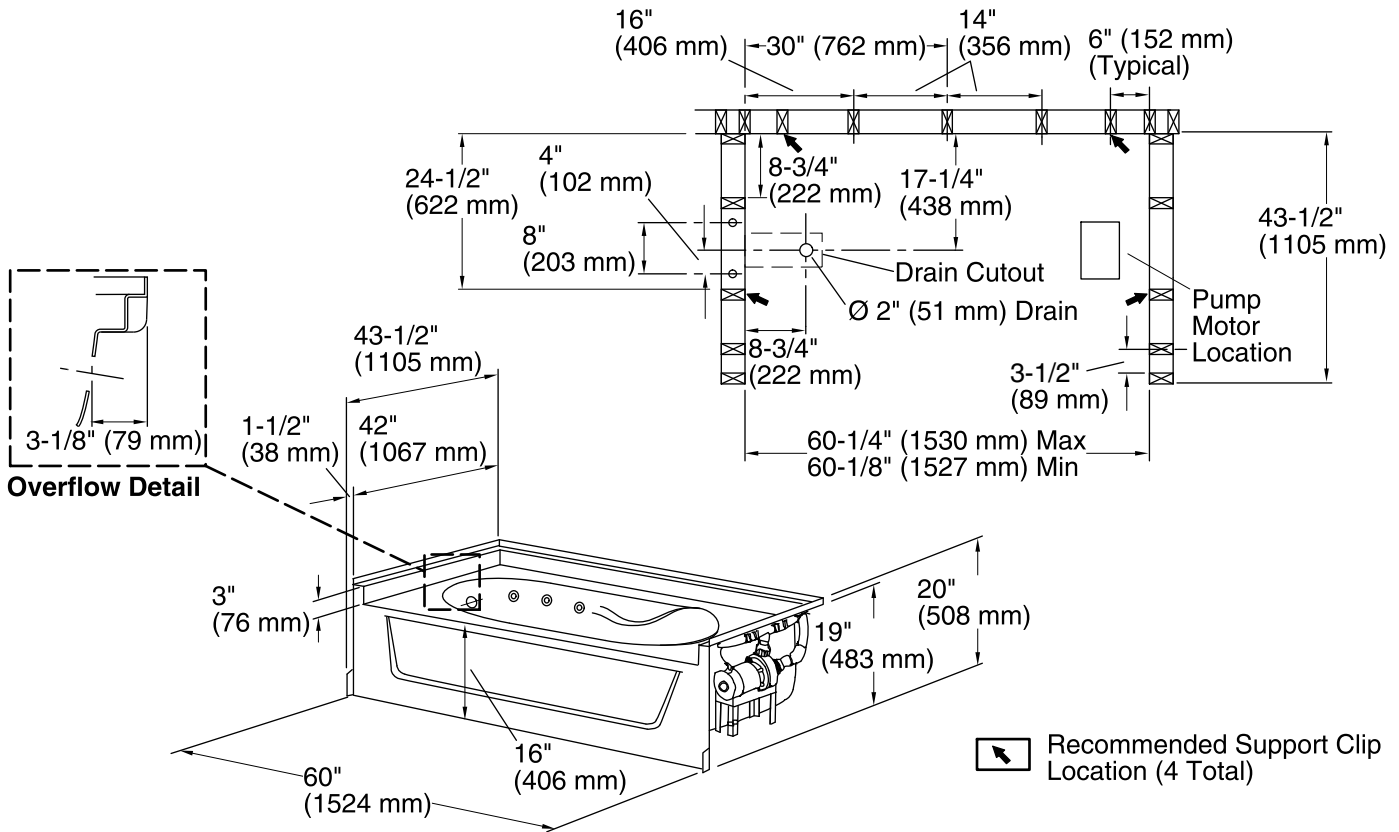
Color	Code	Description
	0	White
	96	KOHLER Biscuit


1-800-STERLING (1-800-783-7546)

Kohler Co. reserves the right to make revisions without notice to product specifications.

For the most current Specification Sheet, go to [www.sterlingplumbing.com](http://www.sterlingplumbing.com).

9-28-2018 14:35



 Recommended Support Clip Location (4 Total)

### Required Electrical Service

One dedicated circuit required, protected with Class A Ground-Fault Circuit-Interrupter (GFCI) or Residual Current Device (RCD).

Pump: 120 V, 15 A, 60 Hz

### Technical Information

All product dimensions are nominal.

Installation: 3-Wall Alcove

Drain location: Left

Basin area, bottom: 40" x 27" (1016 mm x 686 mm)

Basin area, top: 52" x 35" (1321 mm x 889 mm)

Water depth: 11" (279 mm)

Water capacity: 55 gal (208.2 L)

Electrical component rating: Pump: 120 V, 7 A, 60 Hz

Pump speed: Single

Minimum flat for door: 3-1/4" (83 mm)

### Notes

Install this product according to the installation instructions.

Provide one grounded electrical outlet within 24" (610 mm) of each component.

Measure your actual product for roughing-in details.

Pump is supplied with 24" (610 mm) grounding-type plug-in cord.

Locate the outlet behind the whirlpool, and within 24" (610 mm) of the pump.

Do not disassemble the pump or piping as this could void the warranty.

Size the drain cutout to fit the drain assembly that will be used.

Studs should be positioned roughly as shown.

End stud positioning is critical if nailing-in flanges are to be used.

ADA compliant when installed to the specific requirements of these regulations.