

Please go to [www.quoizel.com](http://www.quoizel.com) for product cleaning tips. Go to the **Care + Maintenance** selection.

**Tools Required:** Flathead screwdriver, Phillips screwdriver, pliers, wire cutters, wire strippers, electrical tape, safety glasses.

**Light Source:** (3) B10 Candelabra Base bulbs 60W Maximum, bulb not included.

**Fixture Hanging Height:** Minimum Hanging Height is 15.5", Maximum Hanging Height is 51.5".

**Estimated Assembly Time:** 30-45 minutes

**Preparation:** Identify and inspect all parts before beginning installation. Check package content list and diagrams below to ensure all parts are present. If any parts are missing or damaged, do not attempt to assemble, install, or operate the fixture. Missing Parts? Contact your original place of purchase.

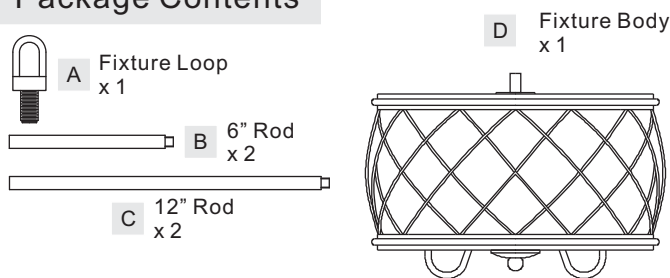
### ⚠ Warnings and Cautions

Turn off electricity at circuit breaker or main fuse box before installation. Consult a licensed electrician if in doubt.

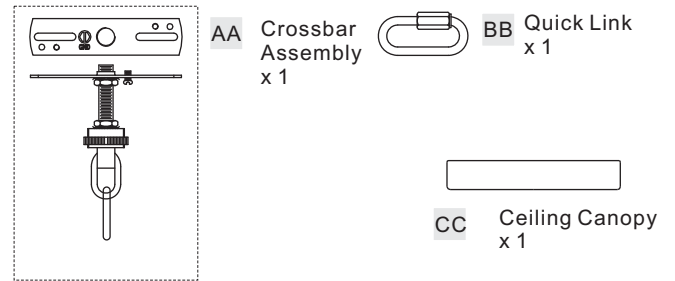
These instructions are provided for your safety. It is very important you read them completely before installing the fixture. We strongly recommend that a licensed, professional electrician perform the installation.

Disconnect fixture from power source before replacing bulbs. Make sure bulbs are given sufficient time to cool before removal.

### Package Contents



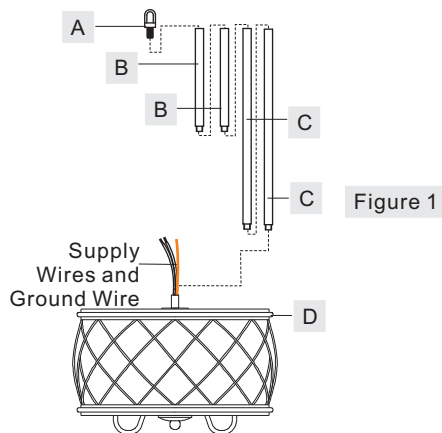
### Hardware Contents



#### STEP 1 - Install Fixture Loop and Rods to Fixture Body

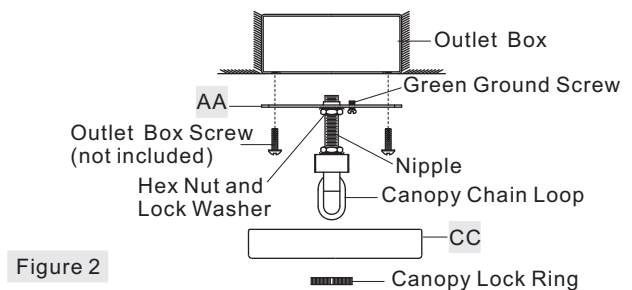
- Determine the Rods (B/C) to be assembled to the Fixture Body according to your hanging height.
- Pass the supply wires and ground wire through the chosen rods (B/C) and the Fixture Loop (A). Thread the Fixture Body (D), the chosen Rods (B/C) and the Fixture Loop (A) together. Hand tighten until snug.

Suggested rods for Ceiling height :  
8' ceiling : use (1) 6" rod and (1) 12" rod  
9' ceiling : use (1) 6" rod and (2) 12" rod



#### STEP 2 - Install the Crossbar Assembly to Outlet Box and Adjust the length of the Nipple

- Attach the Crossbar Assembly (AA) to the Outlet Box with the head of the Green Ground Screw facing you. Secure it with Outlet Box Screws (not included), tighten until snug.
- Adjust the hex nut and lock washer underside of the crossbar to the middle of the nipple.
- Remove the canopy lock ring from the canopy chain loop. Place the Ceiling Canopy (CC) over the canopy chain loop against the ceiling to determine the correct position of the nipple. Thread the canopy lock ring onto the canopy chain loop. Adjust the nipple to allow the Ceiling Canopy (CC) to rest against the ceiling when held in place by the canopy lock ring.
- Remove the canopy lock ring and the Ceiling Canopy (CC). Tighten the lock washer and the hex nut against the crossbar to secure in place.



### STEP 3 - Install the Fixture Chain and Ceiling Canopy

- Pull the supply wires and ground wire through the Canopy Lock Ring and the Ceiling Canopy (CC) in order.
- Connect the Fixture Loop (A) to the Canopy Chain Loop by using the Quick Link. The fixture will now hang safely.
- Feed the Supply Wires and Ground Wire through the Canopy Chain Loop and Nipple into the Outlet Box. Cut the wires leaving approximately 8" of wire extending from the Outlet Box.
- Go to Step 4 for wire connections and follow the directions. Return to Step E in this step when complete with Step 4.
- Raise the Ceiling Canopy (CC) and Canopy Lock Ring up the Quick Link and over the Canopy Chain Loop. Tighten the Canopy Lock Ring onto the Canopy Chain Loop until tight.

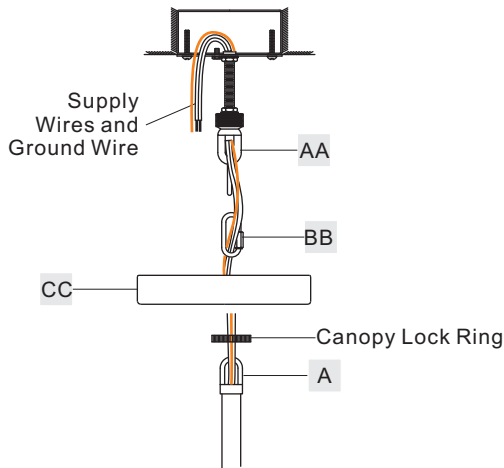


Figure 3

### STEP 4 - Making the Wire Connections

- Wrap bare or green ground wire around green ground screw on the crossbar, no less than 2 inches from the end of the wire. Tighten the green ground screw.
- Use standard wire connectors (not included) to make all wire connections. Twist connectors until wires are tightly joined together. Wrap each connection with approved electrical tape and carefully stuff all the connected wires into outlet box.

Note: If the electrical wire is going to be cut shorter than provided you will need to identify the "L" line wire and the "N" neutral wire before you cut the excess wire off. One is labeled N and the other labeled L. To do this separate the "L" line wire and the "N" neutral wire as far as you need to. Re-label the wire near where you want to make the cut. Be sure to mark the wire on the side of the fixture and not on the excess wire being cut and removed.

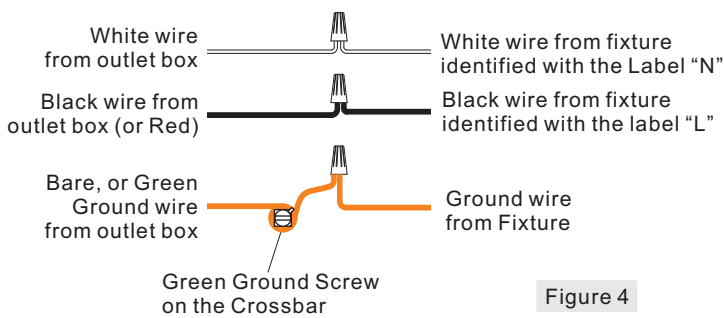


Figure 4

### STEP 5 - Install the Bulb

- Insert the bulb onto socket and screw snugly into place.

Your fixture is now assembled and ready to use. Enjoy!

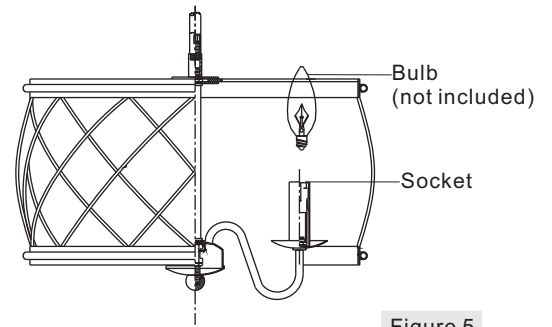
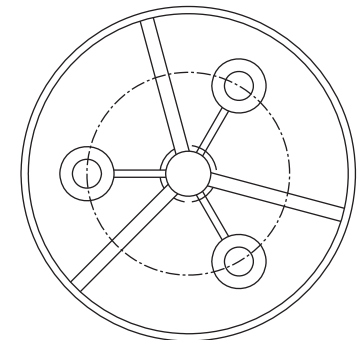
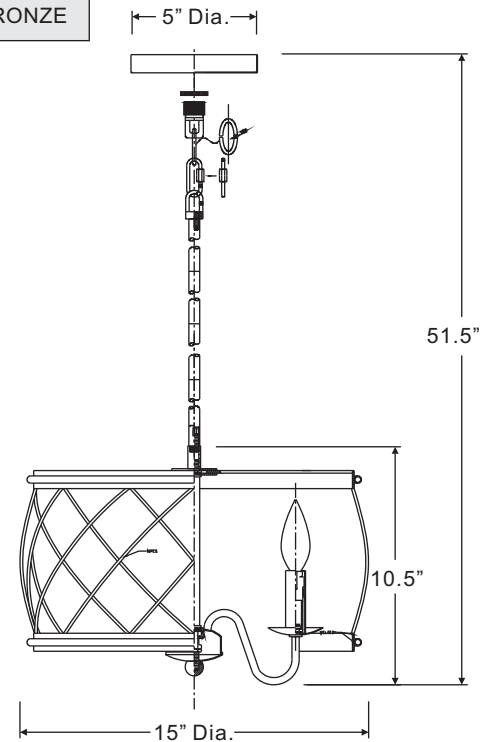
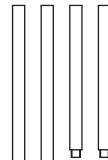
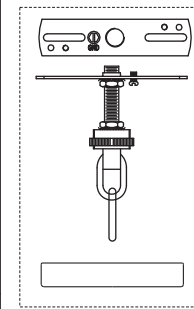


Figure 5

RDY2815PN

FINISH: PALLADIAN BRONZE



NOTE: ALL DIMENSIONS ARE ROUNDED UP TO THE NEAREST 1/4"