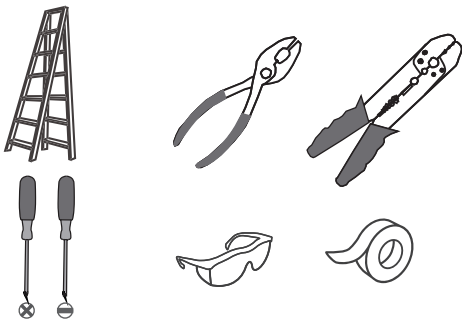
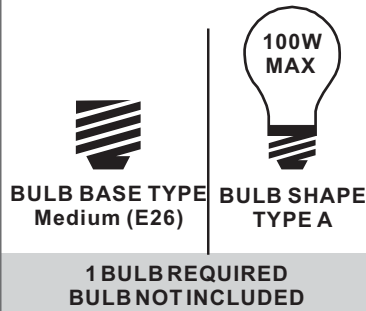


Tools Required



Light Source



Fixture Height Adjustable 12.75" to 50.75"

Warnings and Cautions

Turn off the electricity at the circuit breaker before installation. Consult a licensed electrician if in doubt about installation.

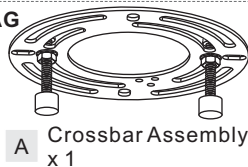
Turn off power to the fixture and allow the bulbs to cool before replacing.

Package Contents

Preparation: Identify and inspect all parts before beginning the installation.

Missing or damaged parts? Contact your original place of purchase.

PARTS BAG



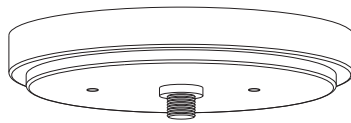
A Crossbar Assembly x 1



B Outlet Box Screw x 2



C Wire Connector x 3



D Ceiling Canopy x 1



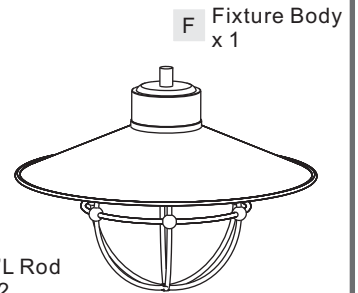
E Swivel x 1



G 6" L Rod x 2



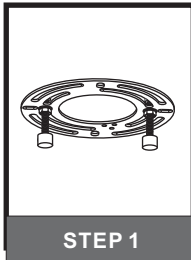
H 12" L Rod x 2



F Fixture Body x 1

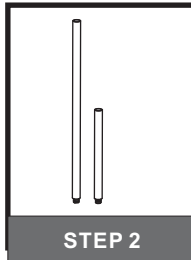
Table of Contents

Crossbar Assembly



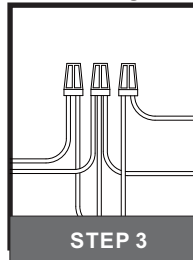
STEP 1

Downrod



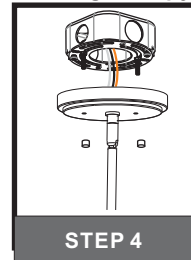
STEP 2

Wiring



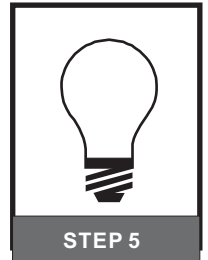
STEP 3

Ceiling Canopy



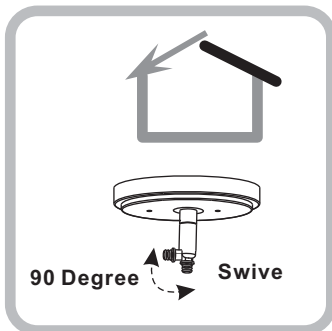
STEP 4

Bulb



STEP 5

STEP 1

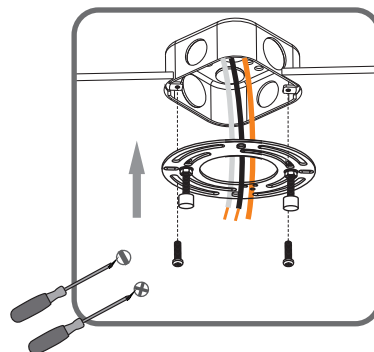


90 Degree Swive

For angled ceilings, Swivel opening towards wall.

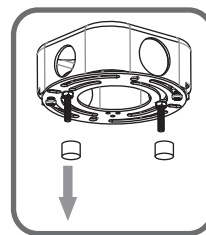
1

Step 1
Install crossbar assembly

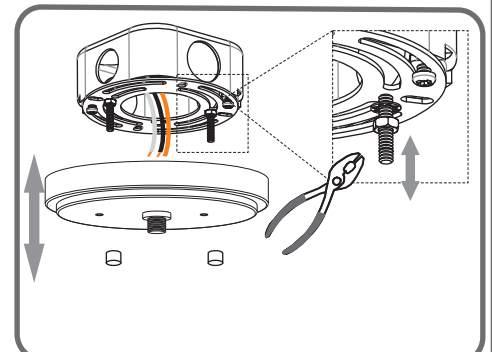


2

Step 2 - 3
Test fitting ceiling canopy to mounting screws



3

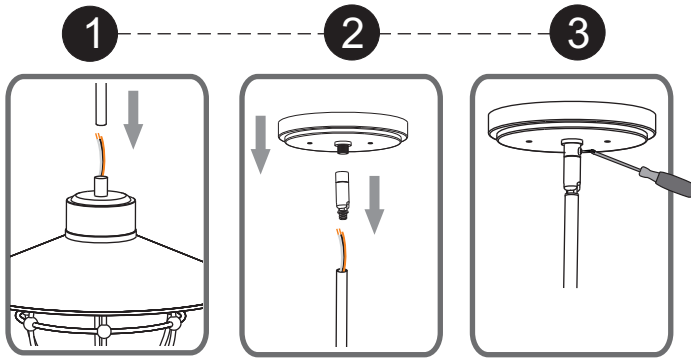
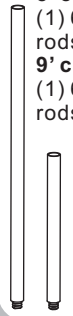


STEP 2

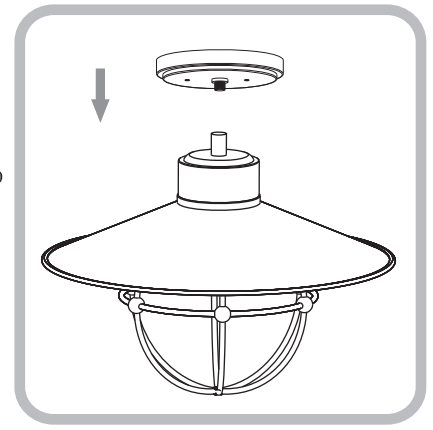
Optional Rods

8' ceiling:
(1) 6"L + (1) 12"L rods

9' ceiling:
(1) 6"L + (2) 12"L rods

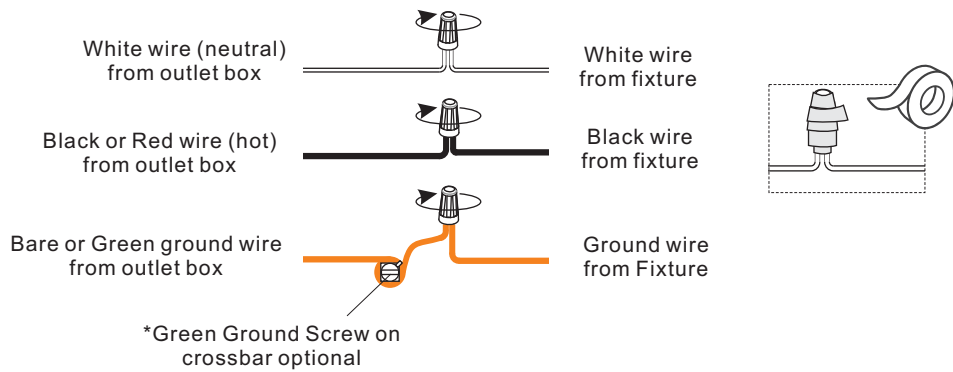


OPTION 1

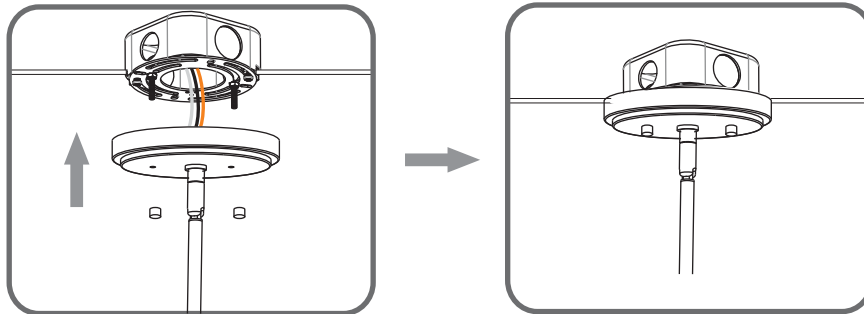


OPTION 2

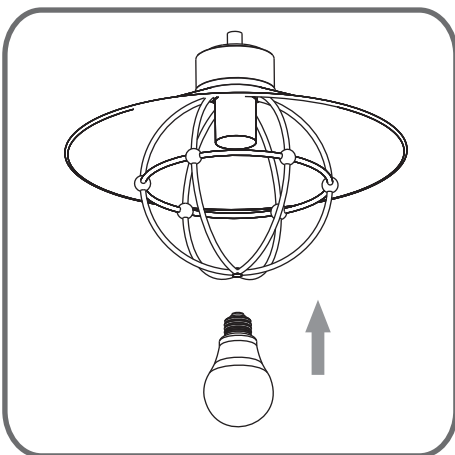
STEP 3



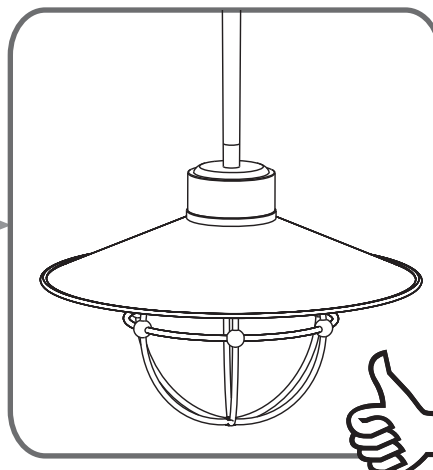
STEP 4



STEP 5



OPTION 1



OPTION 2

