

Please go to www.quoise.com for product cleaning tips. Go to the **Care + Maintenance** selection.

Tools Required: Flathead screwdriver, Phillips screwdriver, pliers, wire cutters, wire strippers, electrical tape, safety glasses.

Light Source: (3) B10 Candelabra Base Bulbs 60W Maximum.

Estimated Assembly Time: 30-45 minutes

Preparation: Identify and inspect all parts before beginning installation. Check package content list and diagrams below to be sure all parts are present. If any parts are missing or damaged, do not attempt to assemble, install, or operate the fixture. Contact customer service for replacement parts.

Note: This CONVERTIBLE fixture can be mounted as chandelier light or semi-flush light. Refer to respective installation steps for installations.

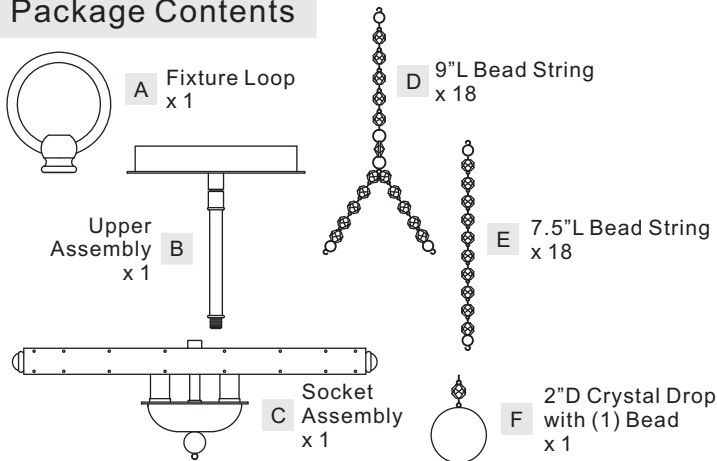
⚠ Warnings and Cautions

Turn off electricity at circuit breaker or main fuse box before installation. Consult a licensed electrician if in doubt.

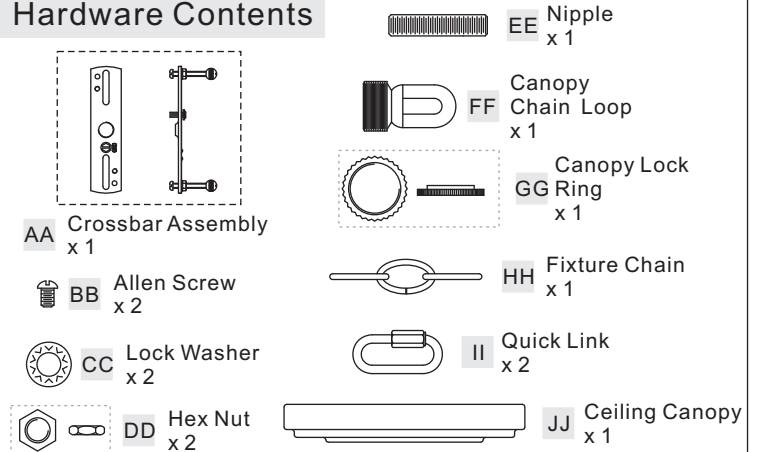
These instructions are provided for your safety. It is very important you read them completely before installing the fixture. We strongly recommend that a licensed, professional electrician perform the installation.

Disconnect fixture from power source before replacing bulbs. Make sure bulbs are given sufficient time to cool before removal.

Package Contents



Hardware Contents



Assembly Instructions for Chandelier Light (Step 1A - Step 7A)

STEP 1A - Separate Crossbar Assembly

A. Remove Mounting Ball from Crossbar Assembly (AA). Unscrew Hex Nuts and Lock Washers from Crossbar Assembly (AA). Remove Mounting Screws from Crossbar.

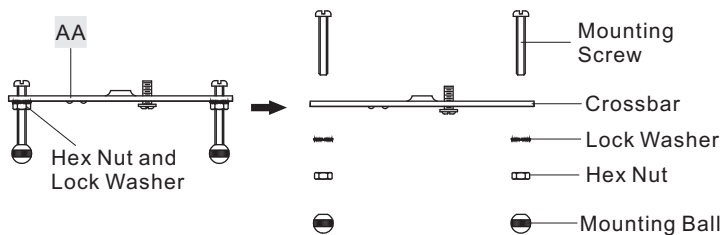


Figure 1A

STEP 2A - Assemble Fixture Loop, Upper Assembly and Socket Assembly

A. Place Allen Screws (BB) through holes on the Ceiling Canopy and thread Mounting Balls onto Allen Screws (BB).
B. Thread Upper Assembly (B) onto the coupling on the top center of

(Step 2A Continued)

Socket Assembly (C). Hand tighten until snug.
C. Pass supply wire and ground wire through Fixture Loop (A) and thread the Fixture Loop (A) onto the top center of the Upper Assembly (B). Hand tighten until snug.

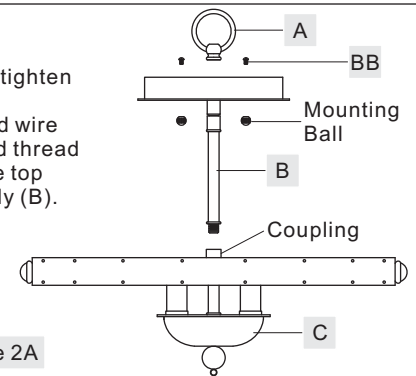


Figure 2A

STEP 3A - Install Crossbar

A. Attach Crossbar to the Outlet Box with the head of the Green Ground Screw facing you. Secure it with Outlet Box Screws (not included). Tighten until snug.

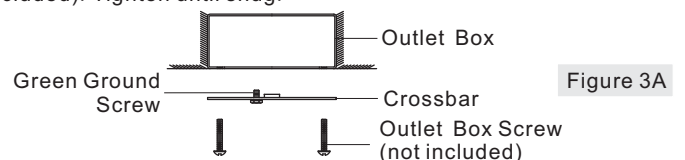


Figure 3A

Thank you for purchasing a Quoizel product.
Need assistance with parts or assembly? Call Quoizel customer service at 1-800-645-3184 or visit us on-line at www.quoise.com

STEP 4A - Install Canopy Chain Loop and Nipple

- * Pliers is required for this step.
- A. Thread one Hex Nut (DD) to one end of the Nipple (EE) until it is at least 0.25" from the end. Pass one Lock Washer (CC) over the end of the Nipple (EE) and thread the Canopy Chain Loop (FF) onto the Nipple (EE). By using pliers, thread the Hex Nut (DD) against the Canopy Chain Loop (FF) and hand tighten until snug.
- B. Thread another Hex Nut (DD) to the middle of the Nipple (EE). Place another Lock Washer (CC) over the Nipple (EE) and then thread the Nipple (EE) into the Crossbar until the Nipple (EE) is about 0.375" above the Crossbar.
- C. Remove the Canopy Lock Ring (GG) from the Canopy Chain Loop (FF). Place the Ceiling Canopy (JJ) over the Canopy Chain Loop (FF) against the ceiling to determine the correct position of the Nipple (EE). Thread the Canopy Lock Ring onto the Canopy Chain Loop (FF). Adjust the Nipple (EE) to allow the Ceiling Canopy (JJ) to rest against the ceiling when held in place by the Canopy Lock Ring (GG).
- D. Remove the Canopy Lock Ring (GG) and the Ceiling Canopy (JJ). Tighten the Hex Nut (DD) against the Crossbar to secure in place.

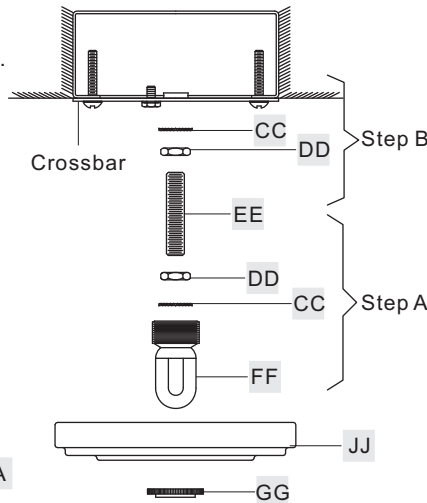


Figure 4A

STEP 5A - Install Fixture Chain and Ceiling Canopy

- A. Adjust the Fixture Chain (HH) to your desired length by removing links if needed.
- * Pliers is required for this step.
- B. With the Fixture Chain (HH) not attached to the Fixture Loop and the Canopy Chain Loop (FF), pull the supply wires through the Fixture Chain (HH) alternating links. After the wires are through the Fixture Chain (HH), pull the Supply Wires and the Ground Wire through the Canopy Lock Ring (GG) and the Ceiling Canopy (JJ) in order.
- C. Attach one end of the Fixture Chain (HH) to the Fixture Loop with one Quick Link (II). Lift the fixture and Fixture Chain (HH) up and attach the other end of the Fixture Chain (HH) onto the Canopy Chain Loop (FF) with another Quick Link (II). The fixture will now hang safely. Close the chain loop at the Ceiling Canopy Loop (FF).
- D. Feed the Supply Wires and Ground Wire through the Canopy Chain Loop (FF) and Nipple (EE) into the Outlet Box. Cut the wires leaving approximately 8" of wire extending from the Outlet Box.
- E. Refer to Step 6A for wire connections.
- F. Raise the Ceiling Canopy (JJ) and Canopy Lock Ring (GG) up the Fixture Chain (HH) and over the Canopy Chain Loop (FF). Tighten the Canopy Lock Ring (GG) onto the Canopy Chain Loop (FF) until tight.

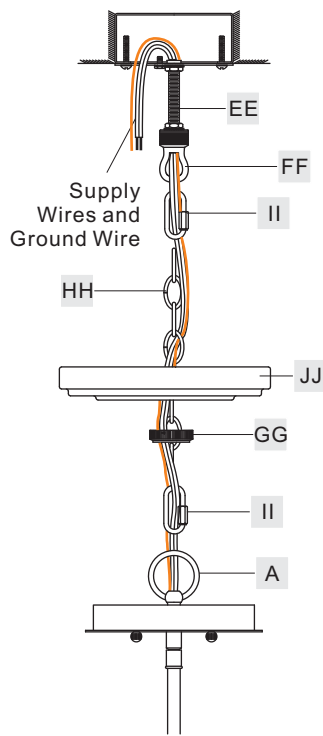


Figure 5A

(Step 5A Continued)

Suggested chain length for Ceiling height :
 8' ceiling : use 12 links of chain and 2 quick links
 9' ceiling : use 22 links of chain and 2 quick links
 10' ceiling : use 32 links of chain and 2 quick links

STEP 6A - Wire Connections

- A. Use standard wire connectors (not included) to make all wire connections. Twist connectors until wires are tightly joined together. Wrap each connection with approved electrical tape and carefully stuff all the connected wires into outlet box.

Note: If the electrical wire is going to be cut shorter than provided you will need to identify the "L" line wire and the "N" neutral wire before you cut the excess wire off. One is labeled N and the other labeled L. To do this separate the "L" line wire and the "N" neutral wire as far as you need to. Re-label the wire near where you want to make the cut. Be sure to mark the wire on the side of the fixture and not on the excess wire being cut and removed.

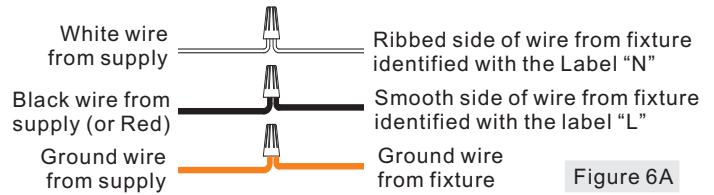


Figure 6A

STEP 7A - Attach Bead Strings, Crystal Drops and Install Bulb

- A. Assemble one 9"L Bead String (D). Attach top end of bead string to hole on the Plate at Ceiling Canopy. Attach one bottom end of bead string to corresponding hole on the top of the Ring. Attach another bottom end of bead string to next hole on the Ring.
- B. Proceed to assemble another 9"L Bead String (D). Attach top end of bead string to hole on the Plate at Ceiling Canopy, next to the first one. Attach one bottom end of bead string to the same hole of the first one on the Ring. Attach another bottom end of bead string to next free hole on the Ring. Repeat this process to complete all 9"L Bead Strings (D).
- C. Attach one end of 7.5"L Bead String (E) to the hole on the bottom edge of the Ring. Attach another end of 7.5"L Bead String (E) to corresponding hole on the Plate at the Junction Box. Repeat this process to complete all 7.5"L Bead Strings (E).
- D. Attach 2"D Crystal Drop with (1) Bead (F) to the bottom center of fixture.
- E. Insert bulbs onto sockets and screw snugly into place.

Your fixture is now assembled and ready to use. Enjoy!

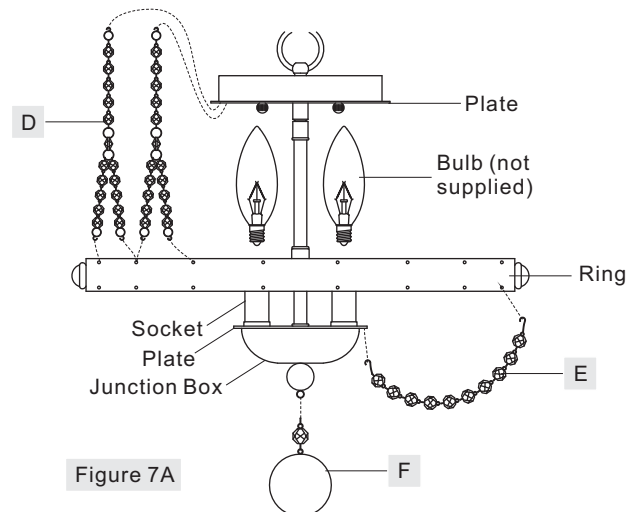


Figure 7A

Thank you for purchasing a Quoizel product.
 Need assistance with parts or assembly? Call Quoizel customer service at 1-800-645-3184
 or visit us on-line at www.quoise.com

Assembly Instructions for Semi-flush Light (Step 1B - Step 6B)

STEP 1B – Assemble Upper Assembly to Socket Assembly

- A. Thread Upper Assembly (B) onto the coupling on the top center of Socket Assembly (C). Hand tighten until snug.

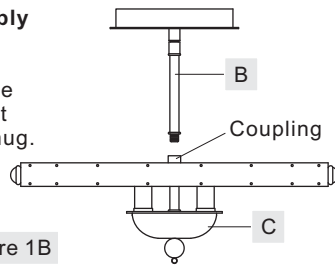


Figure 1B

STEP 2B – Install Crossbar Assembly

- A. Pass the supply wires through Crossbar Assembly (AA). Attach Crossbar Assembly (AA) to the Outlet Box with the head of the Green Ground Screw facing you. Secure it with Outlet Box Screws (not included). Tighten until snug.

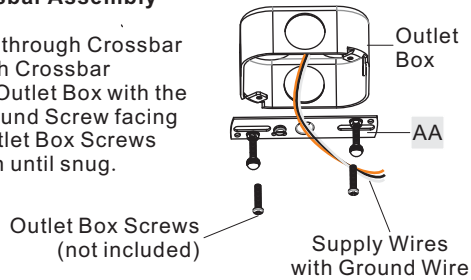


Figure 2B

STEP 3B – Test Fitting Ceiling Canopy to Crossbar Assembly

- A. Remove mounting balls from Crossbar Assembly (AA). Fit Ceiling Canopy (B) to Crossbar Assembly (AA) and secure with mounting balls. Note: The Ceiling Canopy (B) should be snug against the ceiling and the mounting balls. If Not, adjust the length of mounting screws on the Crossbar Assembly (AA) by unscrewing the preassembled hex nut and lock washer and then screwing the mounting screws in or out of the crossbar until the correct length is achieved. Once the Ceiling Canopy is secure, remove the mounting ball and Ceiling Canopy and proceed to Step 4B.

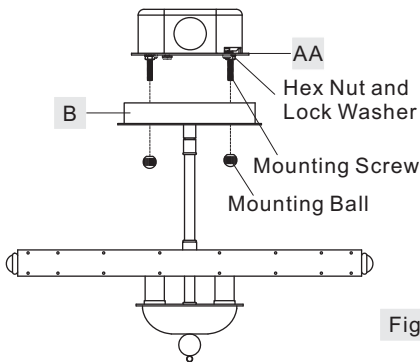


Figure 3B

STEP 4B - Wire Connections

- A. Use standard wire connectors (not included) to make all wire connections. Twist connectors until wires are tightly joined together. Wrap each connection with approved electrical tape and carefully stuff all the connected wires into the Outlet Box.

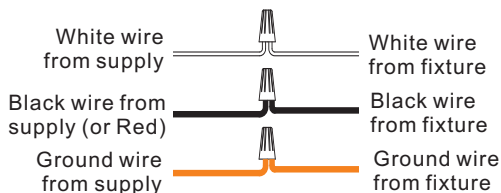


Figure 4B

STEP 5B – Install Fixture Body

- A. Carefully tuck all wires into the outlet box and position the Ceiling Canopy over the outlet box. Align the holes in the Ceiling Canopy with the mounting screws, then attach the Ceiling Canopy using the previously removed mounting balls. Hand tighten until snug.

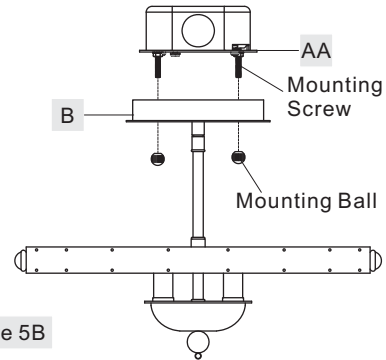


Figure 5B

STEP 6B - Attach Bead Strings, Crystal Drops and Install Bulb

- A. Assemble one 9”L Bead String (D). Attach top end of bead string to hole on the Plate at Ceiling Canopy. Attach one bottom end of bead string to corresponding hole on the top of the Ring. Attach another bottom end of bead string to next hole on the Ring.
 B. Proceed to assemble another 9”L Bead String (D). Attach top end of bead string to hole on the Plate at Ceiling Canopy, next to the first one. Attach one bottom end of bead string to the same hole of the first one on the Ring. Attach another bottom end of bead string to next free hole on the Ring. Repeat this process to complete all 9”L Bead Strings (D).
 C. Attach one end of 7.5”L Bead String (E) to the hole on the bottom edge of the Ring. Attach another end of 7.5”L Bead String (E) to corresponding hole on the Plate at the Junction Box. Repeat this process to complete all 7.5”L Bead Strings (E).
 D. Attach 2”D Crystal Drop with (1) Bead (F) to the bottom center of fixture.
 E. Insert bulbs onto sockets and screw snugly into place.

Your fixture is now assembled and ready to use. Enjoy!

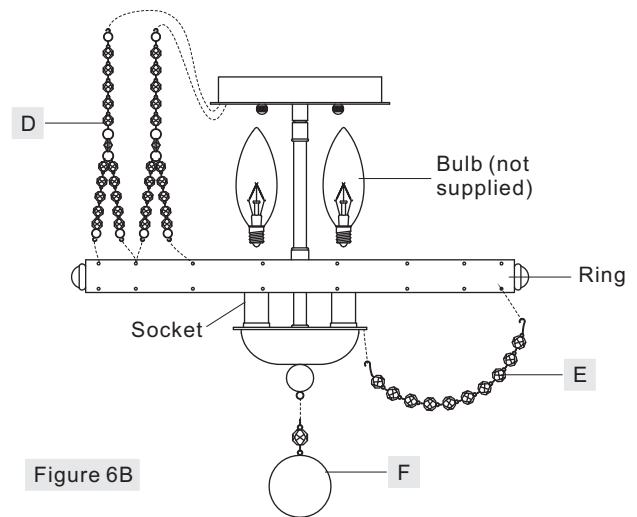


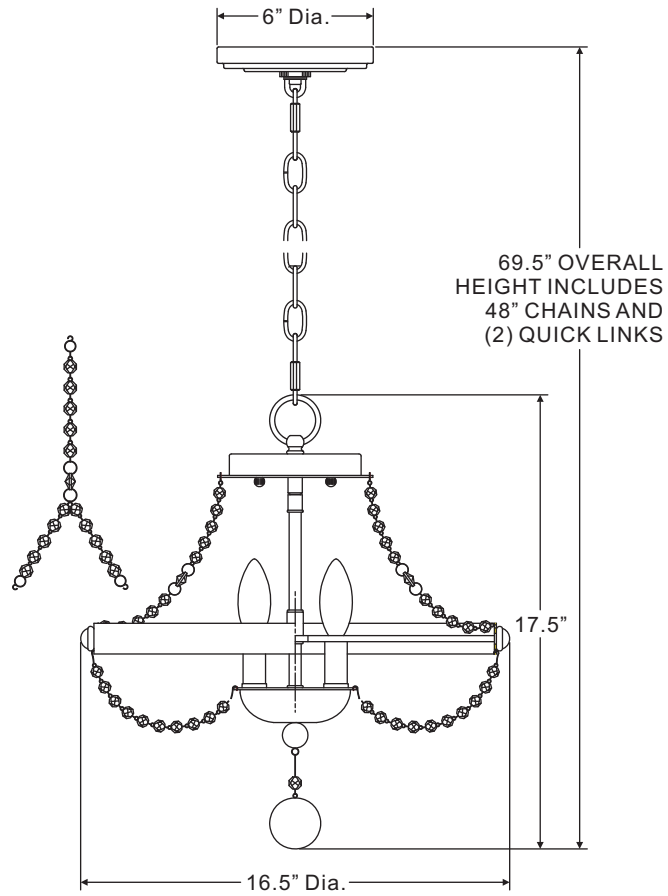
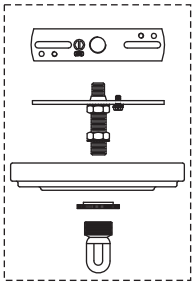
Figure 6B

Thank you for purchasing a Quoizel product.
 Need assistance with parts or assembly? Call Quoizel customer service at 1-800-645-3184
 or visit us on-line at www.quoise.com

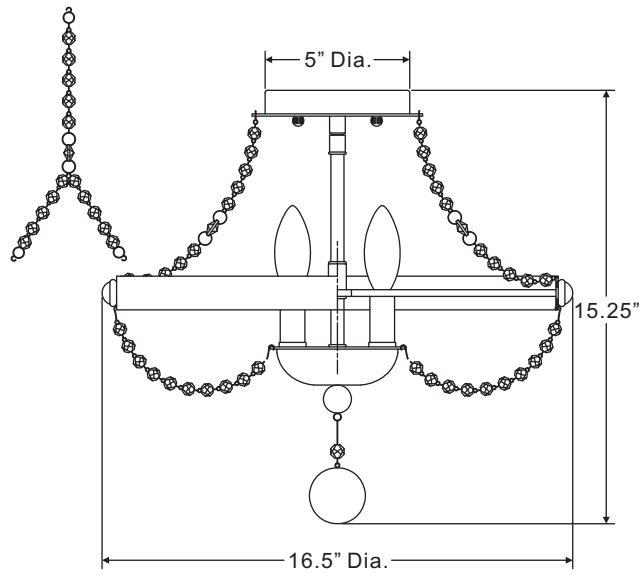
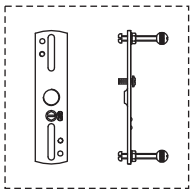
LVY1716WT

FINISH: WESTERN BRONZE

CHANDELIER



SEMI-FLUSH



NOTE: ALL DIMENSIONS ARE ROUNDED UP TO THE NEAREST 1/4"

Thank you for purchasing a Quoizel product.
Need assistance with parts or assembly? Call Quoizel customer service at 1-800-645-3184
or visit us on-line at www.quoise.com