

Please go to [www.quoise.com](http://www.quoise.com) for product cleaning tips. Go to the **Care + Maintenance** selection.

**Tools Required:** Flathead screwdriver, Phillips screwdriver, pliers, wire cutters, wire strippers, electrical tape, safety glasses.

**Light Source:** (6) B10 Candelabra Base Bulbs 60W maximum, bulbs not included.

**Fixture Hanging Height:** Minimum Hanging Height is 17", Maximum Hanging Height is 103".

**Estimated Assembly Time:** 30-45 minutes

**Preparation:** Identify and inspect all parts before beginning installation. Check package content list and diagrams below to be sure all parts are present. If any parts are missing or damaged, do not attempt to assemble, install, or operate the fixture. Contact your original place of purchase.

### ⚠ Warnings and Cautions

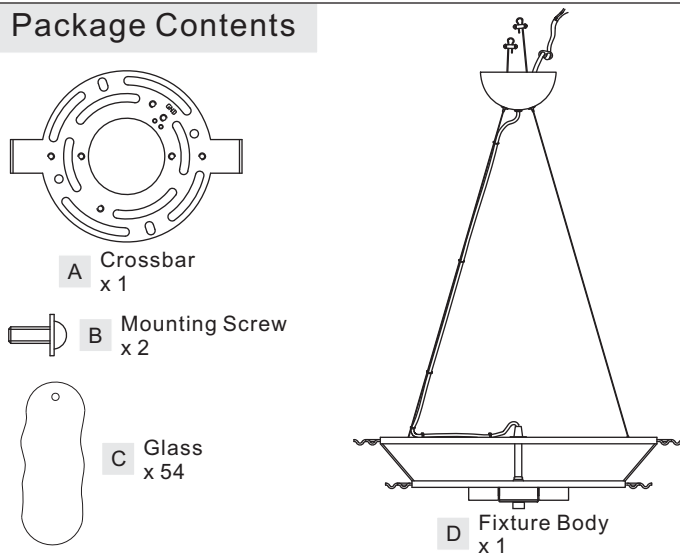
Turn off electricity at circuit breaker or main fuse box before installation. Consult a licensed electrician if in doubt.

These instructions are provided for your safety. It is very important you read them completely before installing the fixture. We strongly recommend that a licensed, professional electrician perform the installation.

To avoid personal injury, remove all glasses before maintain the electrical connections or wires connections.

Disconnect fixture from power source before replacing bulbs. Make sure bulbs are given sufficient time to cool before removal.

### Package Contents



### STEP 2 – Install the Crossbar to the junction box

A. Attach the Crossbar (A) to the outlet box with the head of the green ground screw facing you. secure it with outlet box screws (not included), tighten until snug.

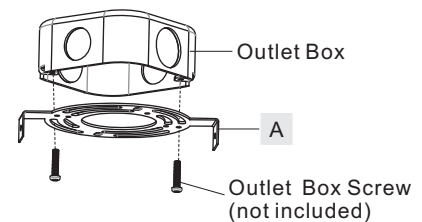


Figure 2

### STEP 3 - Wire Connections

- A. Wrap bare or green ground wire around green ground screw on the crossbar, no less than 2 inches from the end of the wire. Tighten the green ground screw.
- B. Use standard wire connectors (not included) to make all wire connections. Twist connectors until wires are tightly joined together. Wrap each connection with approved electrical tape and carefully stuff all the connected wires into the Outlet Box.
- C. If the electrical wire is going to be cut shorter than provided, strip back the clear wire covering the 3 fixture wires as far as you need to. This will expose each fixture wire individually. Strip each end of 2 fixture wires.

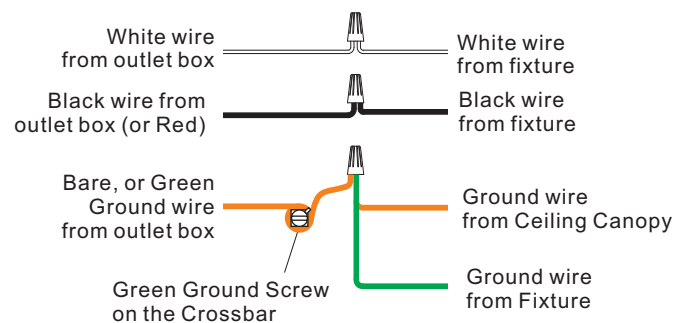
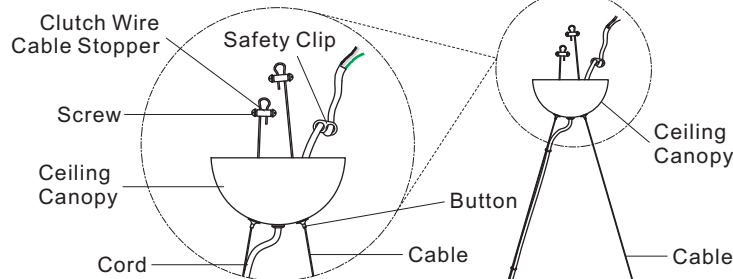
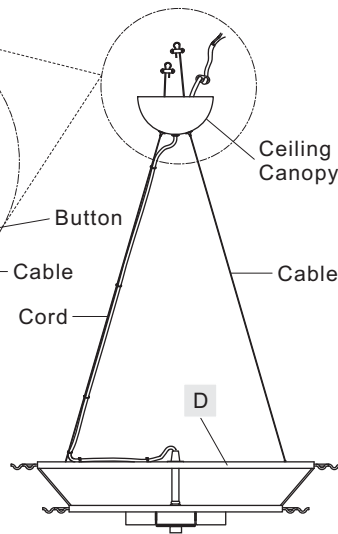


Figure 3



### STEP 1 – Adjust Fixture Height

- A. Press each button on the bottom of the ceiling canopy and adjust each cable in or out of the ceiling canopy to achieve your desired fixture height.
- B. If necessary, loosen screws on clutch wire cable stopper and move the clutch wire cable stopper to your desired location on the cable and then tighten screws.
- C. Adjust the cord length according to the fixture height. Move the safety clip next to the hex nut inside of the ceiling canopy.



#### STEP 4 - Attach Ceiling Canopy to Crossbar

A. Line up the holes on the side of the ceiling canopy to the mounting holes on the Crossbar (A). Secure them with Mounting Screws (B). Tighten until snug.

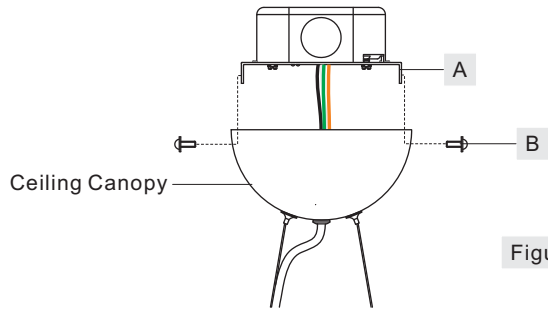


Figure 4

#### STEP 5 - Install Glasses and Bulbs

A. Place each Glass (C) onto each steel rod on the Fixture Body (D).  
B. Insert bulbs onto sockets and screw snugly into place.

Your fixture is now assembled and ready to use. Enjoy!

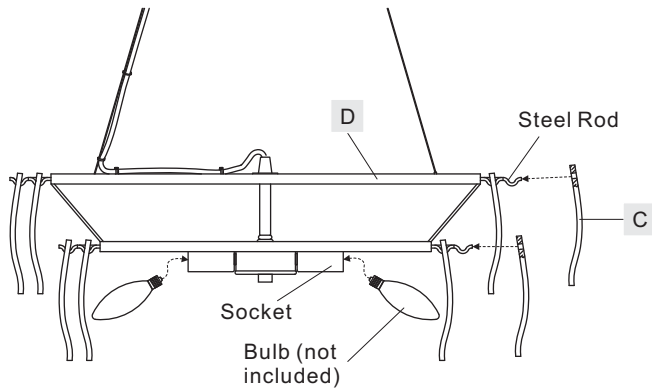
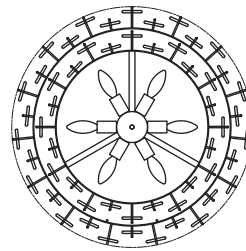
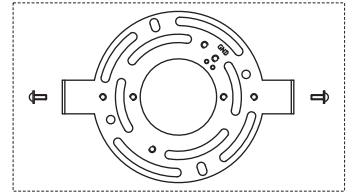


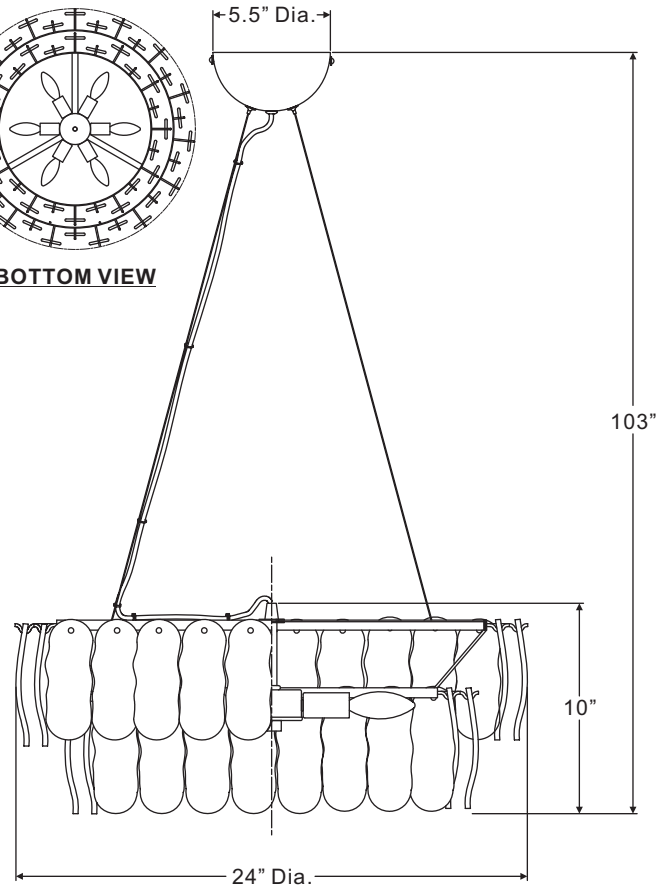
Figure 5

JYC2824C

FINISH: POLISHED CHROME



**BOTTOM VIEW**



NOTE: ALL DIMENSIONS ARE ROUNDED UP TO THE NEAREST 1/4"