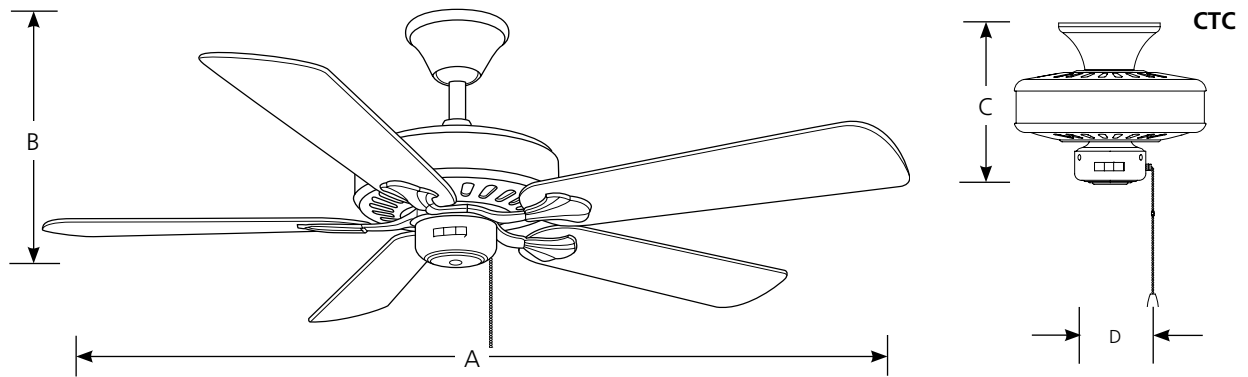


	Type		
	-09	-20	-30W
P2503	<input type="checkbox"/>	<input type="checkbox"/>	<input type="checkbox"/>

Catalog No.	Finish			Dimensions (Inches)			
	Brushed Nickel	Antique Bronze	White	A	B	C	D
P2503	-09	-20	-30W	52	15-1/4	10-1/2	4-1/2
<b>Blades</b>							
Side 1	Cherry blades	Medium Cherry blades	White blades				
Side 2	Natural Cherry blades	Classic Walnut blades	White blades				



**ENERGYGUIDE**

<p>Estimated Yearly Energy Cost</p> <p style="font-size: 24pt; font-weight: bold;">\$12</p> <p style="font-size: 10pt;">\$3       \$34</p> <p style="font-size: 8pt;">Cost Range of Similar Models (19" - 84")</p> <p style="font-size: 8pt;">• Based on 12 cents per kWh and 6.4 hours use per day • Your cost depends on rates and use • Energy Star 42 Watts</p>	<p>Airflow</p> <p style="font-size: 24pt; font-weight: bold;">3,091</p> <p style="font-size: 8pt;">Cubic Feet Per Minute</p> <p style="font-size: 8pt;">• The higher the airflow, the more air the fan will move. • Airflow Efficiency: 74 Cubic Feet Per Minute Per Watt</p>
---	---

All estimates based on typical use, excluding lights. [ftc.gov/energy](http://www.ftc.gov/energy)

Fan mounted as close-to-ceiling.

**Specifications:**

General

- Lifetime limited warranty

Blades

- Five blades
- Reversible
- 14 degree pitch
- Sure Connect blade attachment system
- Screws preinstalled in blades for attachment to motor arms
- Special guides align blades to motor arms
- Preinstalled rubber isolation pads minimize vibration noise
- Plywood blade construction

Motor

- Triple capacitor speed control; manual reverse control
- 188mm dia x 15mm high

- Pull chain on brushed nickel (-09) is chrome with a maple fob, white (-30W) is chrome with a white fob, and antique bronze antique brass chains with medium oak fob's.

Mounting

- Dual ceiling mounting on downrod, or close to ceiling
- A 3/4" x 6" downrod is included. Longer accessory downrods can be ordered separately
- Standard canopy designed for sloped ceilings up to 45 degrees (12:12 ceiling pitch)
- Oversized, textured die cast hanger ball reduces noise and wobble vibrations
- Canopy covers standard recessed 4" octagonal outlet box. Note: An outlet box assembly designed for fan installation is required (not included)
- Mounting hardware is included

ENERGY INFORMATION AT HIGH SPEED

AIRFLOW: 4822 CFM cubic feet per minute

ELECTRICITY USE: 70 watts (excludes lights)

AIRFLOW EFFICIENCY: 69 cubic feet per minute per watt

Fan on a downrod.

Electrical

- 80" lead wires included
- Prewired
- 1/8" IP accessory adapter

Labeling

- UL listed

Progress Lighting  
701 Millennium Blvd.  
Greenville, South Carolina  
29607