

INSTALLATION INSTRUCTIONS

Vitrine - Exterior

WS-W32512, WS-W32516, WS-W32521

MODERN FORMS

CAUTION: TO PREVENT ELECTRICAL SHOCK, ENSURE ELECTRICITY HAS BEEN TURNED OFF AT THE CIRCUIT BREAKER BEFORE BEGINNING.

- Read all instructions before installing.
- System is intended for installation by a licensed electrician in accordance with the National Electrical Code (NEC) and local regulations.
- When handling the fixture, do not apply pressure to the LEDs. Hold the fixture by the base only.
- Retain installation instructions for future maintenance reference.

WARNING: All parts must be used as indicated in these instructions. This product is designed for use only with the supplied parts and/or accessories designated for use by Modern Forms. Substitution of parts or accessories not designated for use with this product by Modern Forms could result in personal injury or property damage, and will void the warranty. Contact an authorized dealer or the manufacturer if any parts are damaged or missing.

MAINTENANCE NOTE: Coastal conditions may cause mineral and residue build-up on the fixture. We recommend that customers in coastal areas clean all external surfaces of the fixture once every two weeks with a wet cloth.

MISE EN GARDE: Pour éviter tout choc électrique, assurez-vous que le disjoncteur soit mis hors tension avant de commencer.

- Lisez toutes les instructions avant l'installation.
- Le système doit être installé par un électricien licencié conformément au code national de l'électricité (NEC), et également aux règlements locaux.
- Lors de la manipulation du luminaire, n'appuyez pas sur les LED. Tenez-le uniquement par la base.

ATTENTION: Toutes les pièces doivent être utilisées comme indiqué dans ces instructions. Ce produit est conçu pour être utilisé seulement avec les pièces et/ou accessoires fournis pour être utilisés avec les produits Modern Forms. Remplacer des pièces ou accessoires non conçus pour ce produit Modern Forms pourrait causer des dommages corporels ou matériels et pourrait également causer l'annulation de la garantie. Veuillez contacter un revendeur autorisé ou le fabricant si des pièces manquent ou sont endommagées.

NOTE D'ENTRETIEN: Les conditions côtières peut causer une accumulation de minéraux et de résidus sur le luminaire. Nous recommandons aux clients qui résident dans les zones côtières de nettoyer toutes les surfaces externes du luminaire une fois toutes les deux semaines avec un chiffon humide.

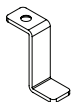
HARDWARE

E1



Screw
Qty: 1pc

F1



Glass Holder
Qty: 1pc

G1



Screw
Qty: 1pc

H1



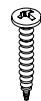
Mounting
Screw
Qty: 1 extra

I1



Gasket
Qty: 1 extra

J1



Wood
Screw
Qty: 2 pcs

K1



Junction
Box Screw
Qty: 2 pcs
+ 1 extra

L1



P3 Wire
Connector
Qty: 3 pcs

M1



Plastic
Anchor
Qty: 2 pcs

Modern Forms
www.modernforms.com
Phone (800) 526.2588 • Fax (800) 526.2585

Headquarters/Eastern Distribution Center
44 Harbor Park Drive • Port Washington, NY 11050
Phone (516) 515.5000 • Fax (516) 515.5050

Western Distribution Center
1750 Archibald Ave • Ontario, CA 91761
Phone (800) 526.2588 • Fax (800) 526.2585



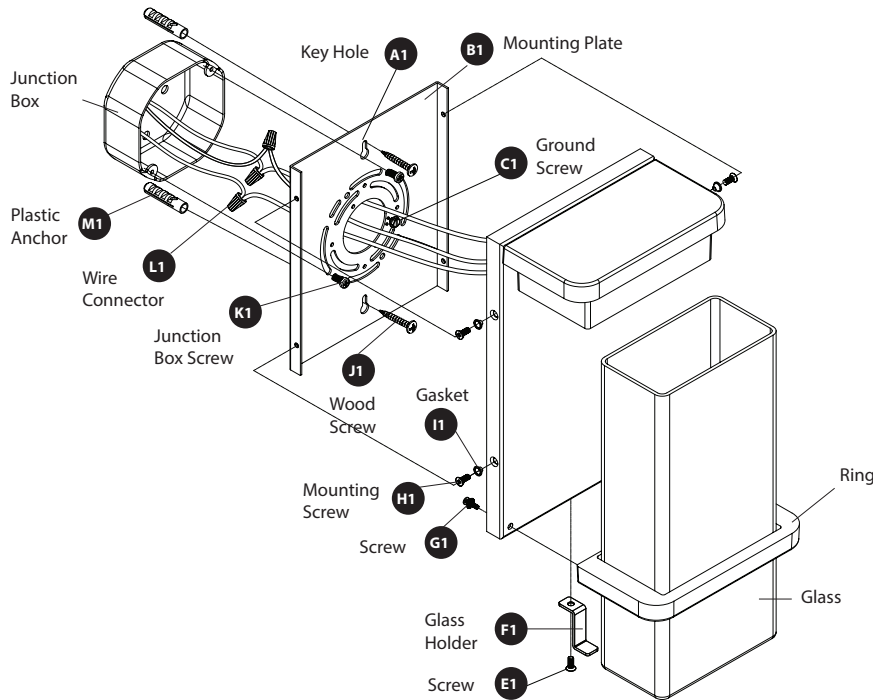
INSTALLATION INSTRUCTIONS

Vitrine - Exterior

WS-W32512, WS-W32516, WS-W32521

MODERN FORMS

Fig.1



Driver Technology Upgraded
No Driver Required
(Please direct wire with 120V AC)

PREPARATION

- Shut off the power at the circuit breaker and remove existing fixture, including the mounting hardware.
- Carefully unpack your new fixture and lay out all the parts on a clear area. Be careful not to lose any small parts necessary for installation.

MOUNTING THE FIXTURE (FIG. 1)

1. Position the mounting plate (B1) on the wall, mark the location of the key hole. Pre-drill the holes for plastic anchors (M1) and insert the plastic anchors (M1) into the wall.
2. Insert the wood screw (J1) into the plastic anchors (M1) from the key hole (A1) leaving enough length to hang the mounting plate (B1). Tighten mounting plate (B1) to the wall.
3. Attach ring to back plate with screw (G1), put glass onto fixture and secure with the glass holder (F1) and screw (E1).
NOTE: Ring with sharp edge should face down. Caulk screw (G1) using silicone for wet location.
4. Secure the mounting plate (B1) to the junction box using junction box screws (K1).
NOTE: The side of the mounting plate marked "GND" must face out.

CONNECTING THE WIRES (FIG. 2)

5. Make sure that all wire connectors (L1) are secure. If your outlet box has a green or bare copper ground wire, connect the fixture's ground wire to it. Otherwise. Connect the fixture's ground wire directly to the back plate using the green/ ground screw (C1) provided. After wires are connected. Tuck them carefully inside the junction box.
6. Place the fixture onto the mounting plate (B1) and secure with mounting screws (H1) and gasket (I1).

COMPLETING THE INSTALLATION (FIG. 3)

7. To prevent moisture from entering the outlet box and causing a short, use clear caulking (i.e. indoor/outdoor silicone sealant) to outline the outside of fixture back plate where it meets the wall. Leave a space at the bottom to allow moisture to escape (**Fig.3**).

Fig.2 Wiring

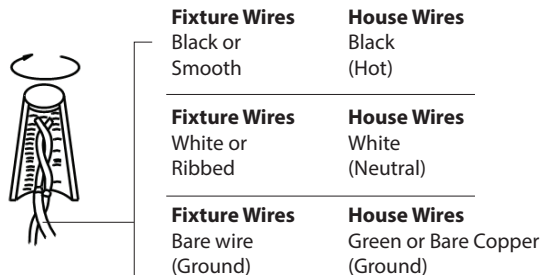
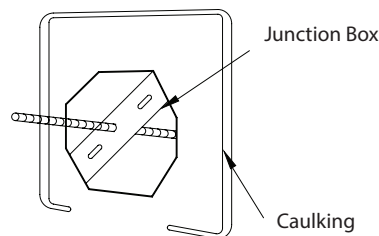


Fig.3 Sealing



Modern Forms
www.modernforms.com
Phone (800) 526.2588 • Fax (800) 526.2585

Headquarters/Eastern Distribution Center
44 Harbor Park Drive • Port Washington, NY 11050
Phone (516) 515.5000 • Fax (516) 515.5050

Western Distribution Center
1750 Archibald Ave • Ontario, CA 91761
Phone (800) 526.2588 • Fax (800) 526.2585

