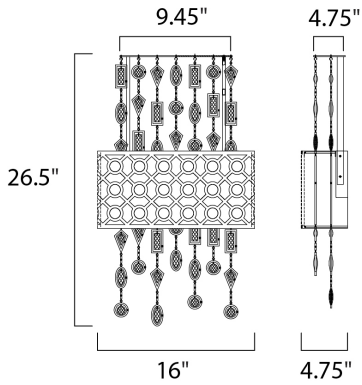




PRODUCT DESCRIPTION

A geometric pattern in a frame of Stainless Steel finished in Polished Nickel is contrasted by an inner Slate fabric shade. Geometric shaped cast pendants frame custom-made crystals, adding brilliant accents throughout the fixture.



MEASUREMENTS

- DIMENSION : 16" W x 26.5" H x 4.75" Ext
- CANOPY : 4.75" W x 1.2" H x 9.45" L
- HANGING WEIGHT : 8.38 lb

LAMPING

- LUMENS : 0 Rated
- BULB : 3 x 40W Xenon G9 , 120W Total
- BULB INCLUDED : (Included)
- DIMMABLE :

FINISHES OPTION



MATERIAL

Stainless Steel

RATINGS

Dry Location



ADDITIONAL

OPERATING TEMPERATURE:
-20°C (-4°F), 40°C (104°F)

Always consult a qualified electrician before installing any lighting product.



WESTERN DISTRIBUTION CENTER (HEADQUARTER)
253 NORTH VINELAND AVE | CITY OF INDUSTRY, CA 91746

EASTERN DISTRIBUTION CENTER
4200 SHIRLEY DR. | ATLANTA, GA 30336

P. 626.956.4200 | F. 626.956.4225 | maximlighting.com