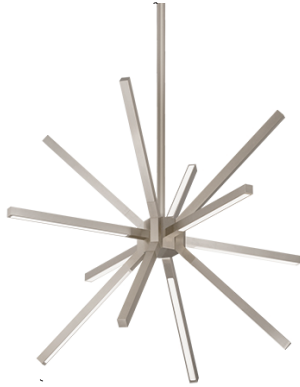


CH14220

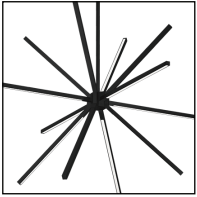
Specification Sheet

Pendant Lamp

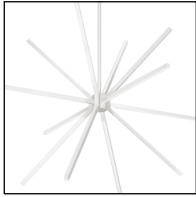


BN - Brushed Nickel

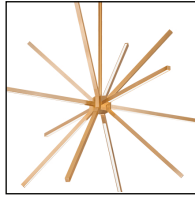
Available Finishes:



BK - Black



WH - White



GD - Gold

Product Descriptions

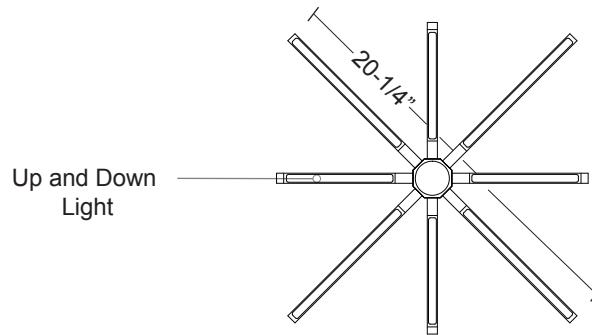
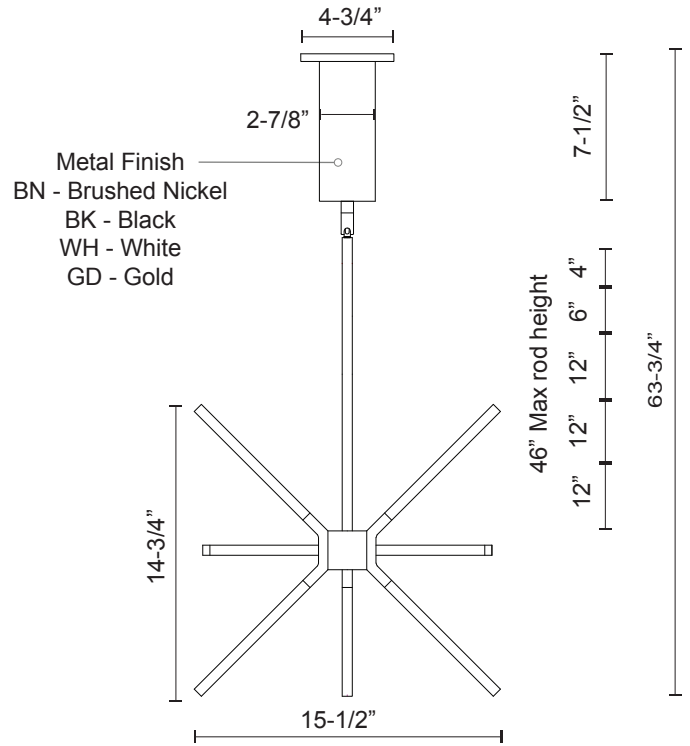
A plethora of thin linear lights converge at numerous angles into a central cluster. Simultaneously rectilinear and decorative the reduced scale from the initial SIRIUS provides an ideal accent to be used in multiples or as focal point. The fine diminutive components and airy structure merge in a lightweight elegant aesthetic.

Product Details

High system efficacy
 Low total life cycle cost
 ETL Listed
 5-year LED and fixture warranty.
 Complete warranty terms located at:
www.kuzcolighting.com/warranty
 Driver included in the canopy
 Available in brushed nickel, black, white, and gold metal finish. 46" max rod height and swivel joint connection.
 Comes with interior wiring
 Dimmable with Universal/ Triac dimmer (not included)
 Custom options available

PROJECT					
DATE		TYPE			
Voltage	Watt	LED Lumens	Delivered Lumens	Finish(es)	
120V	43W*	4300lm*	TBD	BN - Brushed Nickel	Color Temp 3000K
120V	43W*	4300lm*	TBD	BK - Black	CRI (Ra) >90
120V	43W*	4300lm*	1619lm*	WH - White	Dimming 100% - 10%
120V	43W*	4300lm*	TBD	GD - Gold	Rated Life 50,000 hours

*Preliminary figures



Fixture Weight:

Canopy dimensions:
 D= 4-3/4" H= 7-1/2"

Comments: