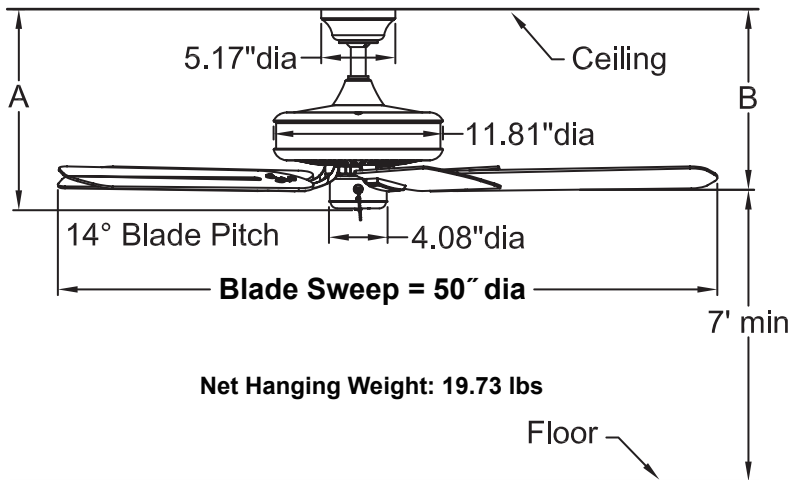


EDGEWOOD® SERIES

TF910**-220 Wet Location Fan



	A	B
Fan w/4.5" downrod	14.02"	12.59"
Fan w/12" downrod	21.52"	20.09"
Fan w/18" downrod	27.52"	26.09"
Fan w/24" downrod	33.52"	32.09"
Fan w/36" downrod	45.52"	44.09"
Fan w/48" downrod	57.52"	56.09"
Fan w/60" downrod	69.52"	68.09"
Fan w/72" downrod	81.52"	80.09"

INSTALLATION REQUIREMENTS:

Fan must be attached to a securely anchored electrical junction box capable of withstanding a load of at least 50 lbs.

ELECTRICAL REQUIREMENTS:

Requires a grounded electrical supply line of 220~240 volts AC, 50 Hz, 5 amp circuit.

MOTOR SPECS:

188x15-220 motor is designed for optimal performance with this fan.

BLADES:

A set of five 21" all-weather composite traditional blades is included.

CONTROL OPTIONS:

Optional C1-220, C2-220, C3-220 and C6-220 wall controls and CR4WH-220 remote control (with receiver units) are available—sold separately. Instructions are provided with each control.

LIGHTING OPTIONS:

Optional lighting fitters and light kits are available. See our catalog or visit www.fanimation.com for available lighting options.

DOWNROD OPTIONS:

Fan comes with 1" dia. x 4.5" long downrod. Optional downrods available in 12", 18", 24", 36", 48", 60", and 72" lengths. A downrod coupler is available for installations requiring a downrod longer than 72". Fan can be mounted on a sloped ceiling up to 19°. Call technical support for more information.

LOCATION USE:

Fan rated for dry, damp and wet locations.

Available Finishes		
Fan / Housing Assembly	Blades - All-weather	
AZ Aged bronze	Dark cherry	
SN Satin nickel	Mahogany	
WH White	White	

TUV/GS Efficiency Info (220V)			
Fan Speed	Max RPM	Amps	Watts
High	183	0.23	55
Med	110	0.15	22
Low	70	0.10	10