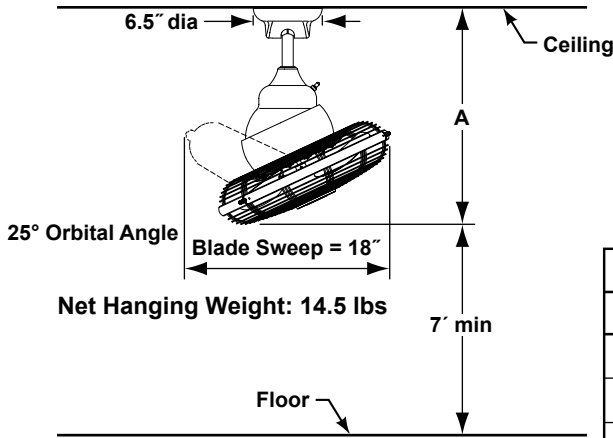


EXTRAORDINAIRE®

OF110** -220 Orbital Ceiling Fan



	A
Fan w/6" downrod	20.75"
Fan w/12" downrod	26.75"
Fan w/18" downrod	32.75"
Fan w/24" downrod	38.75"
Fan w/36" downrod	50.75"
Fan w/48" downrod	62.75"
Fan w/60" downrod	74.75"
Fan w/72" downrod	86.75"

TUV/GS Efficiency Info (220V)			
Fan Speed	Max RPM	Amps	Watts
High	1270	0.38	58
Med	1050	0.24	34
Low	725	0.18	25

Available Finish	
PW	Pewter
SN	Satin nickel (Damp)
OB	Oil-rubbed bronze (Damp)

INSTALLATION REQUIREMENTS:

Fan must be attached to a securely anchored electrical junction box capable of withstanding a load of at least 50 lbs.

ELECTRICAL REQUIREMENTS:

Requires a grounded electrical supply line of 220~240 volts AC, 50 Hz, 5 amp circuit.

MOTOR SPECS:

82 x 25-220 motor is designed for optimal performance with this fan.

CONTROL OPTIONS:

CW110-220 3-speed fan-only wall control is included. Optional CR4WH-220 hand-held remote control is available—sold separately. Instructions are provided with each control.

DOWNROD OPTIONS:

Fan comes with a 1" dia. x 6" long downrod (DR1-6). Optional downrods available in 12", 18", 24", 36", 48", 60" and 72" lengths. A downrod coupler is available for installations requiring a downrod longer than 72". Fan can be mounted on a sloped ceiling up to 50°. Most sloped ceiling installations require a downrod longer than the standard 6" downrod. Optional close-to-ceiling kit is available as well—sold separately. Call technical support for more information.

LOCATION USE:

Oil-rubbed bronze and satin nickel finishes rated for dry and damp locations. Pewter finish fan is rated for dry locations only.