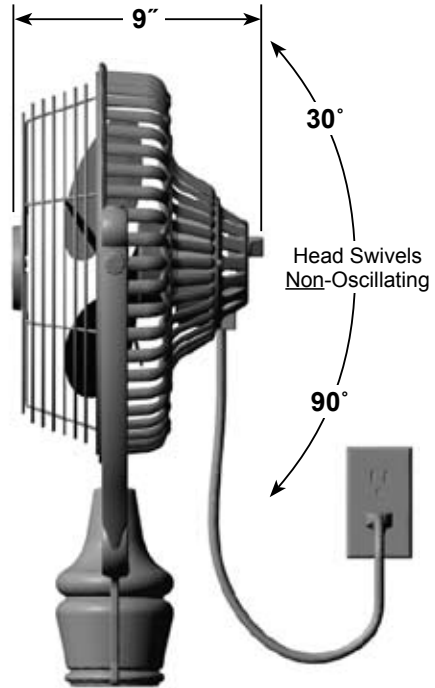
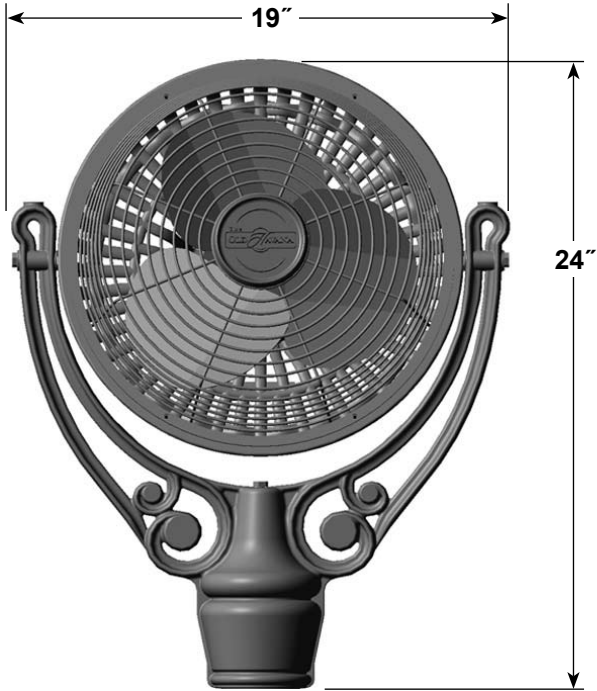


**OLD HAVANA® SERIES**

**FPH210\*\* – Motor Assembly Unit**



<b>Motor Unit Specifications</b>
120 volt, 60 Hz, 0.75 amps
Die-cast construction, non-oscillating*
8 ft power cord included
High—1,350 rpm; Med—570 rpm; Low—350 rpm
Weight 19 lbs
220VAC, 50 Hz export version is available

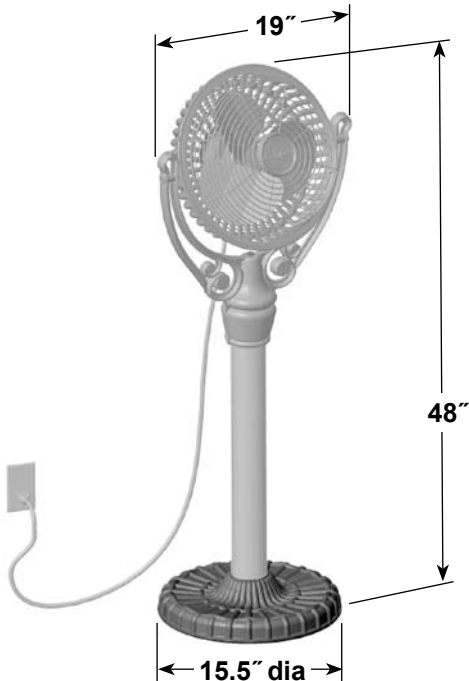
<b>**Motor Unit Finishes</b>	
FPH210AC	Antique copper (grill, logo & blade)
FPH210BL	Black ( <b>Damp</b> )
FPH210PW	Pewter (grill, logo & blade)
FPH210RS	Rust ( <b>Damp</b> )

\*NOTE: Fan Head does **NOT** oscillate

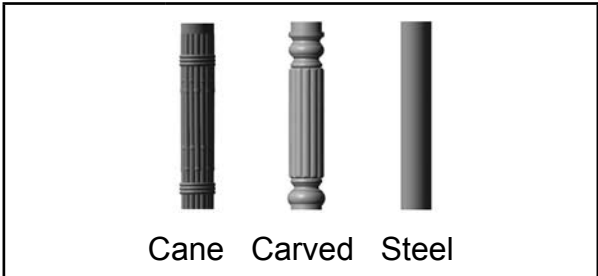
<b>PRODUCT MOUNT DESCRIPTION</b>
Motor assembly unit (FPH210**) is priced and sold separately from the four different mounting systems (ceiling, floor/desk, wall and pedestal) and accessories.

**OLD HAVANA® SERIES**

**FPH21\*\* – Pedestal Base Accessory Unit**



<b>**Pedestal Unit Finishes</b>	
FPH21BL	Black (Damp)
FPH21RS	Rust (Damp)

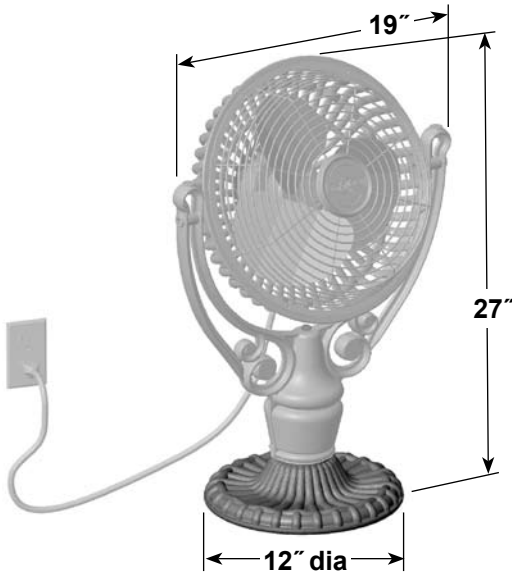


**Custom Column Finishes**  
(priced & sold separately)

FPH70BL	Black (Damp)
FPH70CP	Carved Post
FPH70CW	Cane Wrapped

- Weight 29 lbs (assembled)
- Die-cast construction
- Includes mounting hardware
- Wall and remote control not available
- Priced and sold Separately

**FPH41\*\* – Floor/Desk Base Accessory Unit**

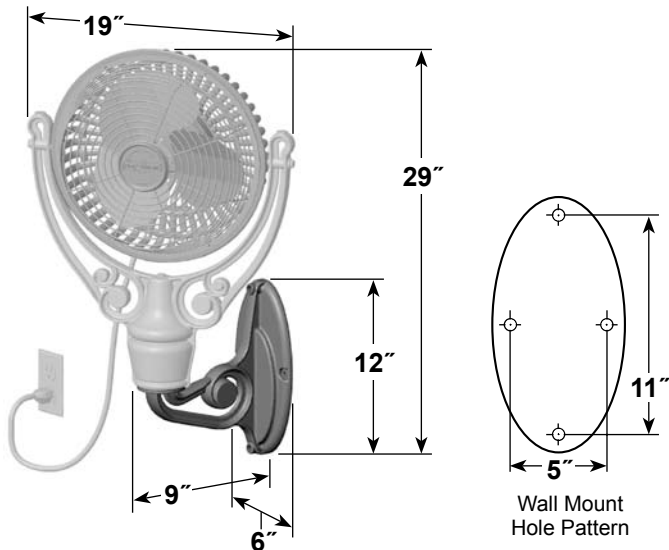


- Weight 25 lbs (assembled)
- Die-cast construction
- Includes mounting hardware
- Wall and remote control not available
- Priced and sold separately

<b>**Floor/Desk Unit Available Finishes</b>	
FPH41BL	Black (Damp)
FPH41RS	Rust (Damp)

**OLD HAVANA® SERIES**

**FPH61\*\* – Wall Mount Accessory Unit**

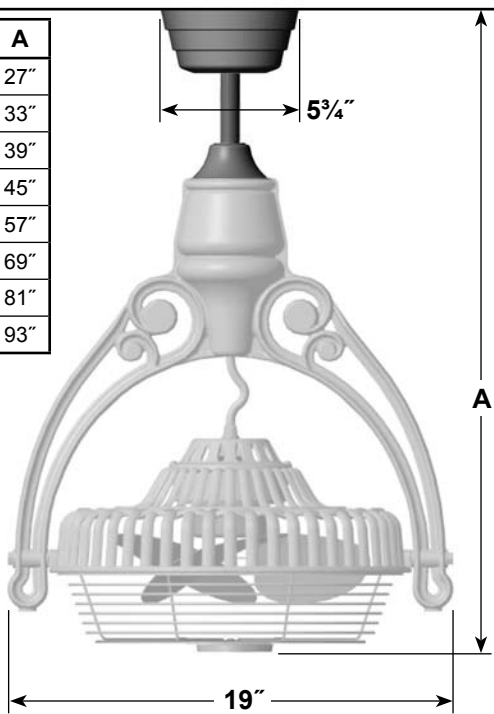


- Weight 27 lbs (assembled)
- Die-cast construction
- Includes mounting hardware
- Wall and remote control not available
- Priced and sold separately

<b>**Wall Unit Available Finishes</b>	
FPH61BL	Black ( <b>Damp</b> )
FPH61RS	Rust ( <b>Damp</b> )

**FPH81\*\* – Ceiling Accessory Unit**

<b>Fan Assembly</b>	<b>A</b>
Fan w/6" downrod	27"
Fan w/12" downrod	33"
Fan w/18" downrod	39"
Fan w/24" downrod	45"
Fan w/36" downrod	57"
Fan w/48" downrod	69"
Fan w/60" downrod	81"
Fan w/72" downrod	93"



- Weight 22 lbs (assembled)
- Includes 6" downrod (longer downrods sold separately)
- Will operate with CH1WH or CH1LA remote controls (sold separately)
- Includes mounting hardware
- Attaches to electrical junction box
- Priced and sold separately

<b>**Ceiling Unit Available Finishes</b>	
FPH81BL	Black ( <b>Damp</b> )
FPH81RS	Rust ( <b>Damp</b> )

<b>Controls (for use with Ceiling Unit)</b>	
<b>Catalog #</b>	<b>Description</b>
CH1LA	Remote control (light almond)
CH1WH	Remote control (white)