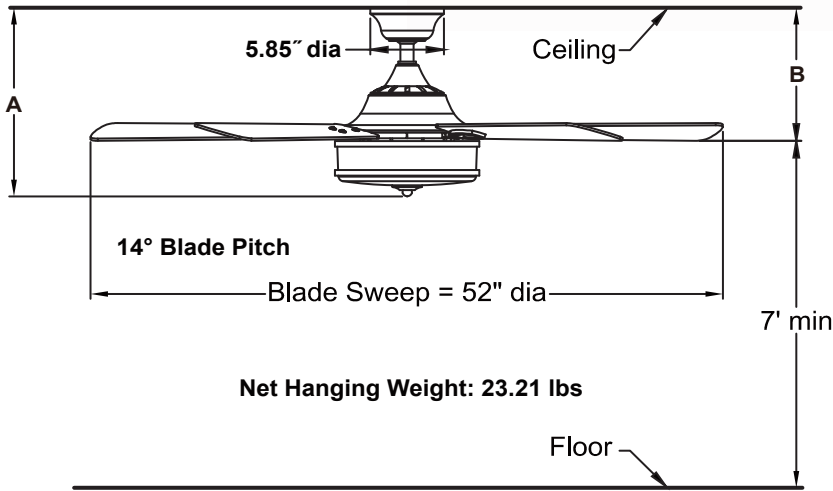


STAFFORD™

FP8274** Ceiling Fan



	A	B
Fan w/4.5" downrod	15.59"	11"
Fan w/12" downrod	23.09"	18.5"
Fan w/18" downrod	29.09"	24.5"
Fan w/24" downrod	35.09"	30.5"
Fan w/36" downrod	47.09"	42.5"
Fan w/48" downrod	59.09"	54.5"
Fan w/60" downrod	71.09"	66.5"
Fan w/72" downrod	83.09"	78.5"

INSTALLATION REQUIREMENTS:

Ceiling fan attaches to electrical junction box securely anchored and capable of withstanding a load of at least 35 lbs.

ELECTRICAL REQUIREMENTS:

Ceiling fan requires a grounded electrical supply line of 120 volts AC, 60 Hz, 15 amp circuit.

MOTOR SPECS:

172 x 17 AC motor is designed for optimal performance with this fan.

BLADE SETS:

A set of five 20" reversible Plywood blades is included.

CONTROL OPTIONS:

TR500 hand-held remote control is included. Push button remote control with variable fan speeds, infinite light levels and off button. Optional WC2WH and WR501WH wall controls, WFR50 receiver unit are available— sold separately. Instructions are provided with each control.

LIGHTING OPTIONS:

Three 4-watt LED bulbs included.

DOWNROD OPTIONS:

Fan comes with 1" dia. x 4.5" long downrod (DR1-45). Optional downrods available in 12", 18", 24", 36", 48", 60", and 72" lengths. A downrod coupler is available for installations requiring a downrod longer than 72". The fan can be mounted on a sloped ceiling up to 27°. Optional sloped ceiling ball kits (SCB1-52) are available for slope angles greater than 27° and up to 42°. Optional close-to-ceiling kit is available as well—sold separately. Call technical support for more information.

LOCATION USE:

Fan is rated for dry location only.

Available Finishes	
Fan / Housing Assembly	
DZ	Dark Bronze with Dark Walnut / Cherry Blade
BN	Brushed Nickel with Dark Walnut / Cherry Blade
GR	Matte Grelge with Weathered Wood Blade

Airflow / Energy Efficiency Info (120V)					
Fan Speed	Max RPM	CFM	CFM / Watts	Amps	Watts
High	155	5108	85	0.50	60
Med	113	3474	113	0.37	31
Low	55	1555	171	0.20	9

Energy Guide FTC			
Power (W _{ave})	Total Air Delivery (CFM _{ave})	Estimated Yearly Energy Cost (\$)	Ceiling Fan Efficiency (CFM/W)
37	3442	10	93

Light Bulb Information (120V)						
Bulb Socket	Bulb Type	Watts	QTY	Lumens Amount	Color Temp	CRI
E12	LED	4	3	900	2700	90%