

**BOURBON STREET®**

**FP510-220 / FP520-220 / FP540-220 /  
FP550-220 / FP580-220 Series  
Ceiling Fans**



**ELECTRICAL REQUIREMENTS:**

Requires a grounded electrical supply line of 220~240 volts AC, 50 Hz, 5 amp circuit.

**MOTOR SPECS:**

Two FK2100-220 motors—1.8 amps combined, ceiling mounted, reversible (reverse switch located on switch cup housing). No more than 6 fan assemblies or idlers combined per motor. Not recommended for sound-sensitive areas.

**FAN SPEED:**

Single-speed—approximately 90 rpm.

**UNIT SPACING:**

6 ft. to 16 ft., although system configuration may affect the maximum spacing.

**USE OF IDLERS:**

Idler assemblies are utilized for the following circumstances:

- 1) When fan centers exceed 16 ft. (greater than 16 ft. may cause excessive belt sagging).
- 2) When obstacles prevent direct belting between two fan units.

**PULLEY CONFIGURATION:**

System layout will determine number of pulleys required. A typical fan assembly will have two pulleys located just below the fan base. In this configuration the pulley will have an adjustment range of approximately 2", allowing for small changes in ceiling elevation.

**BELTING:**

Belting material included with each system is 1/16" thick, 1-1/8" wide, 40' long 3-ply brown neoprene (belts are wrapped around the appropriate pulleys, pulled tight enough to remove slack, fastened with pop rivets (kit provided with system) and excess belt cut away. Belting will stretch some with time and use and may require retightened at a later date.

**INSTALLATION HARDWARE:**

Each system comes complete with all necessary installation hardware, with the exception of required plywood mounting platforms/backing (to be supplied by owner or contractor).

**BLADES:**

A variety of 4 and 5-blade sets are available. 5-blade sets are available in palm, bamboo, wood and composite materials. 4-blade sets are made of wood and require the use of BH20 series blade holders (not included). 4-blade sets will increase speed and airflow. See our catalog or visit [www.fanimation.com](http://www.fanimation.com) for blade options.

**LOCATION USE:**

Fan and motor assemblies are dry location rated only. Damp location rated with use of black finish fan components and woven bamboo or all-weather composite blades.

# BOURBON STREET®

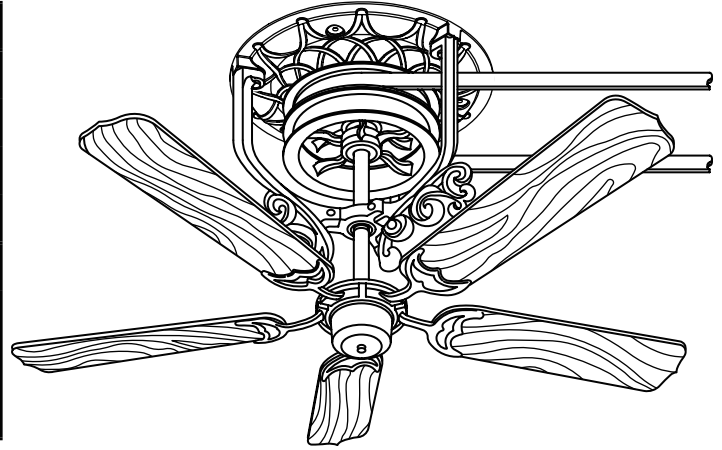
## Short Fan Assembly – FP510\*\*-220

Weight (basic fan unit only)	38 lbs
Ceiling Projection (w/o light kit)	21"
Blade Sweep (with FP1018 blades)*	52"
Base Diameter (3-hole pattern diameter)	16¾" (13")

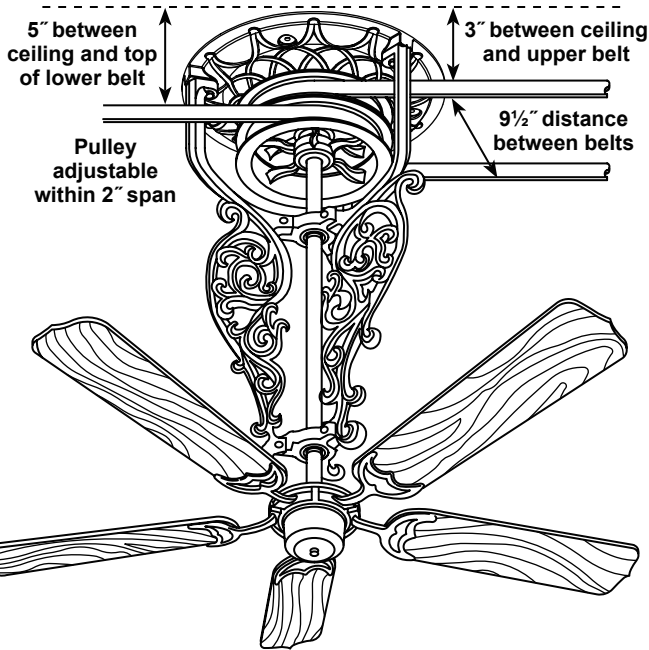
### MOUNTING REQUIREMENTS

18" x 18" x ¾" plywood backing able to support at least 100 lbs. Three 5/16" lag bolts are used to secure fan base to plywood backing. Flush-mounted junction box placed on center (for light kit).

\*Blade sweep with other blades will varies depending on blade selection, see chart on page 79



Belt dimensions are same as long fan assembly



## Long Fan Assembly – FP520\*\*-220

Weight (basic fan unit only)	48 lbs
Ceiling Projection (w/o light kit)	36"
Blade Sweep (with FP1018 blades)*	52"
Base Diameter (3-hole pattern diameter)	16¾" (13")

### MOUNTING REQUIREMENTS

18" x 18" x ¾" plywood backing able to support at least 100 lbs. Three 5/16" lag bolts are used to secure fan base to plywood backing. Flush-mounted junction box placed on center (for light kit).

\*Blade sweep with other blades will varies depending on blade selection, see chart on page 79

## Ordering Information (Items Sold Separately)

Item	Catalog No.	Description
Fan Unit Assembly	FP510**-220 FP520**-220	Short pulley assembly Long pulley assembly
Motor Unit Assembly	FP580**-220	Single-speed, reversible
Blades (A set of 5) See catalog or www.fanimation.com for additional blade options	FP1018	Reversible oak/walnut 12° Blade Pitch
Idler	FP540**-220 FP550**-220	Wall mount Ceiling mount

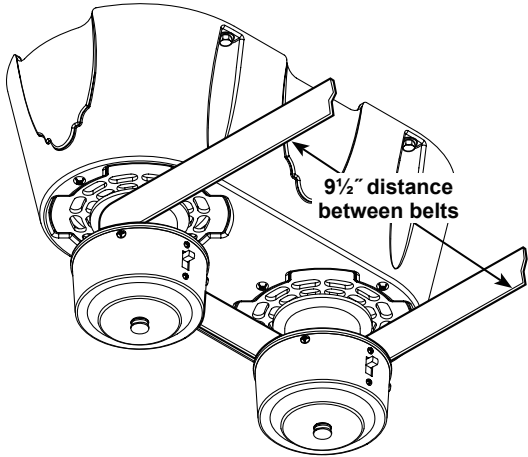
\*\*Insert Finish Codes

### Available Finishes

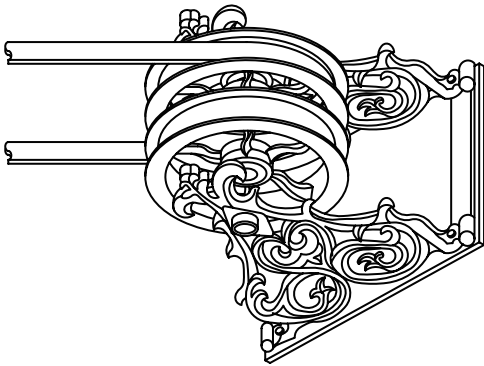
AB	Antique brass
BL	Black

**BOURBON STREET®**

<b>Motor Unit Assembly – FP580** -220</b>	
Weight	26 lbs
Ceiling Projection	9"
Base Dimension	8" x 15½"
Max. Fan / Idler Units (combined per Motor)	6
<b>MOUNTING REQUIREMENTS</b>	
18" x 18" x ¾" plywood backing able to support at least 50 lbs. Flush-mounted junction box placed on center.	
<b>ELECTRICAL REQUIREMENTS</b>	
220~240 VAC, 50 Hz, 5 amp circuit, 5 amp circuit electrical feed, centered under motor unit and wired to a standard wall switch (customer supplied). Motor unit will not operate more than 6 fan assemblies or idlers combined.	



<b>220V Model</b>	
Motor Unit Assembly – 220~240 volt, 50 Hz, single-speed, reversible	
Finishes: available in antique brass and black	

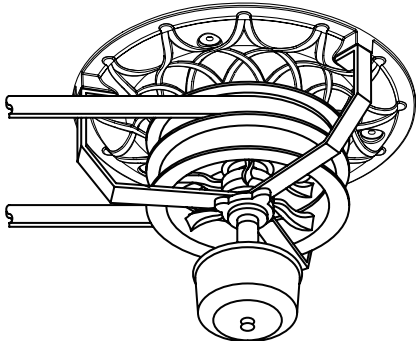


<b>Idler / Wall Mount – FP540** -220</b>	
Weight	20 lbs
Wall Projection	14½"
Base Dimension	14¾" x 8"
<b>MOUNTING REQUIREMENTS</b>	
18" x 18" x ¾" plywood backing able to support at least 50 lbs. Four 5/16" lag bolts are used to secure idler base to plywood backing.	

*NOTE: Not required for most installations.*

<b>Idler / Ceiling Mount – FP550** -220</b>	
Weight	15 lbs
Ceiling Projection	12"
Base Diameter (3-hole pattern diameter)	16¾" (13")
<b>MOUNTING REQUIREMENTS</b>	
18" x 18" x ¾" plywood backing able to support at least 50 lbs. Three 5/16" lag bolts are used to secure idler base to plywood backing.	

*NOTE: Not required for most installations.*



*Belt dimensions are same as long fan assembly*