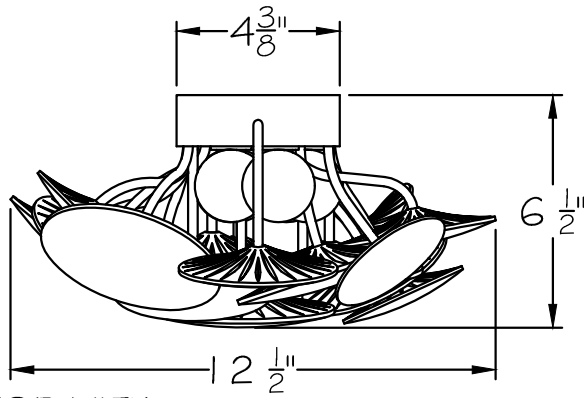
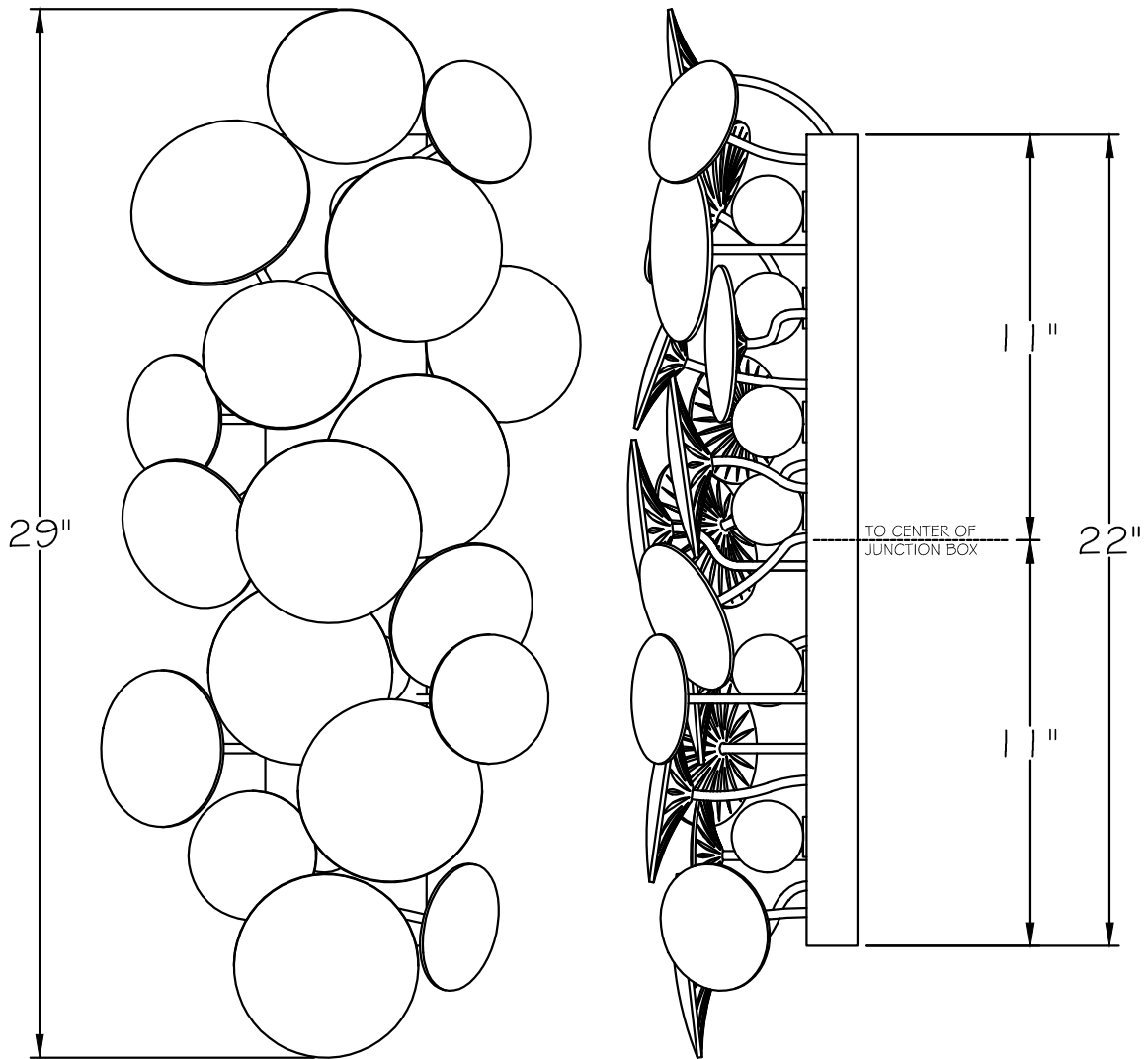


CUSTOMER REFERENCE DRAWING



TOP VIEW



FRONT VIEW