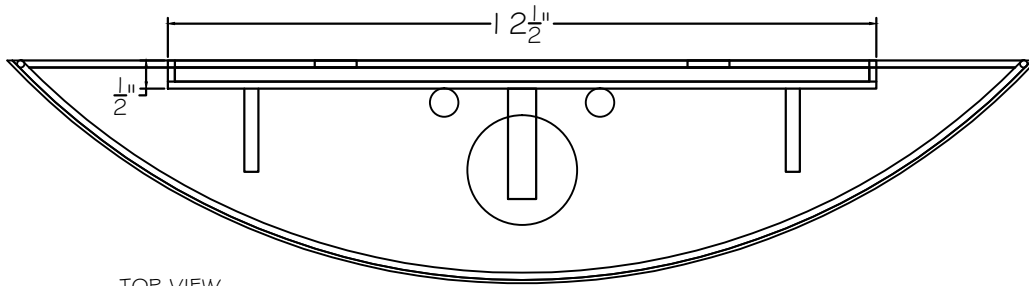
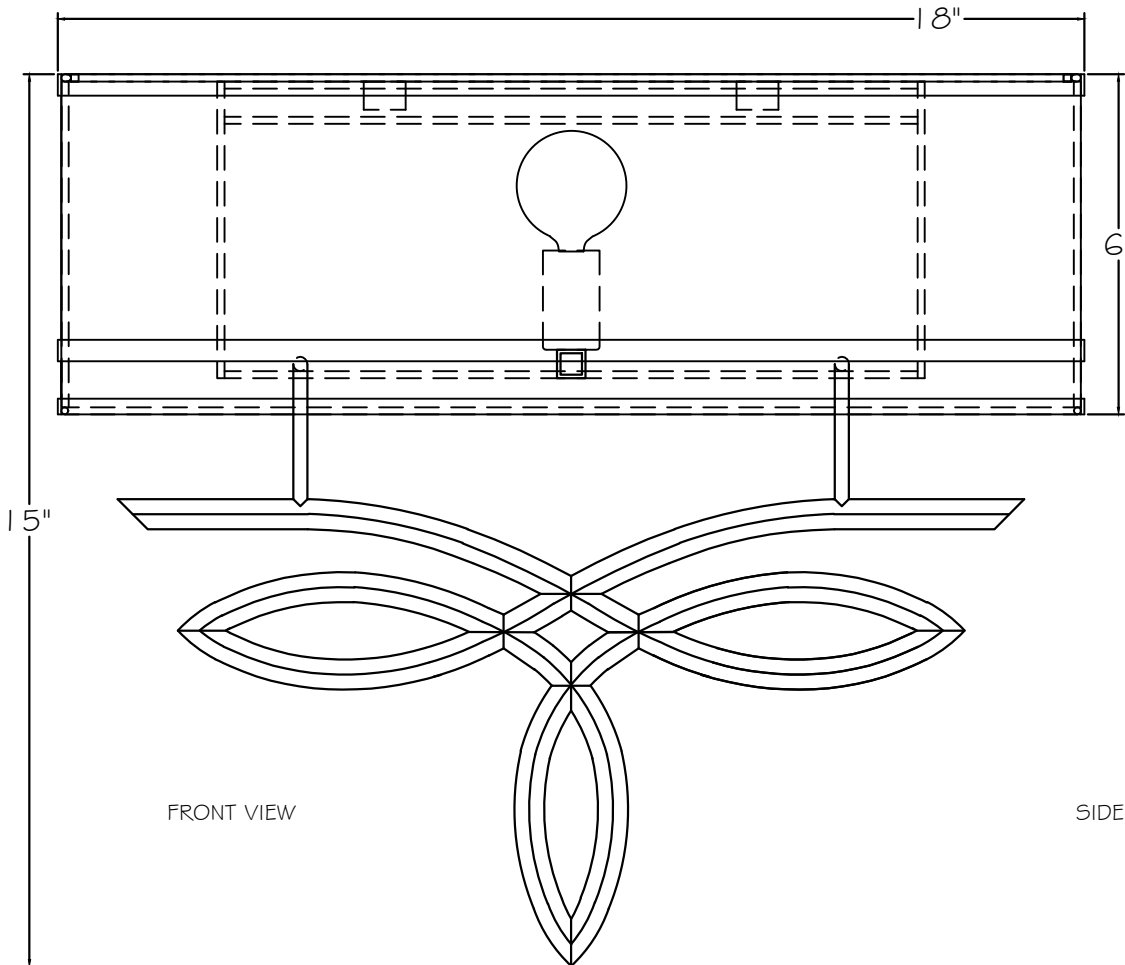


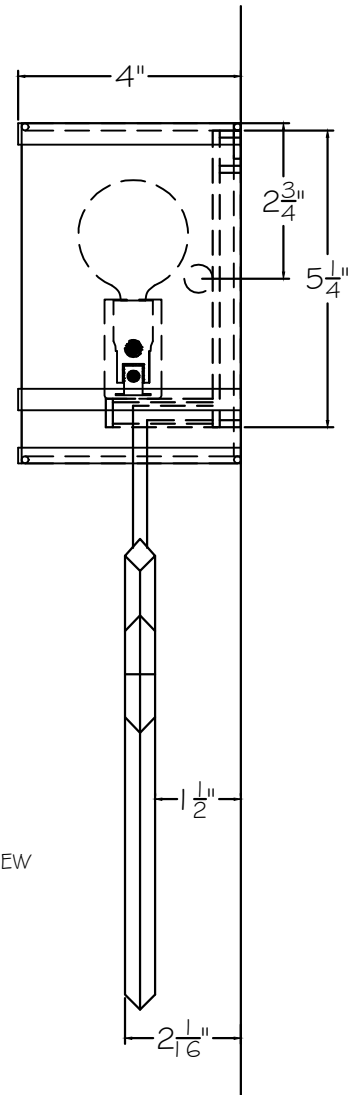
CUSTOMER REFERENCE DRAWING



TOP VIEW









FRONT VIEW



SIDE VIEW

THUMBNAIL IMAGES OF STYLE OPTIONS:

-1ST SILVER  SHADE WITH GALLERY	-2ST GOLD  SHADE WITH GALLERY	-SF41 SILVER  WHITE SHADE	-SF42 SILVER  BLACK SHADE	-SF33 GOLD  BEIGE SHADE	-SF34 GOLD  BLACK SHADE
--	--	--	---	--	--



This drawing, specifications and the product depicted are the exclusive property of Fine Art Handcrafted Lighting®. In compliance with US copyright and patent requirements, notice is hereby given that this document and the product depicted shall not be copied, altered or used in any manner without the expressed written consent of Fine Art Handcrafted Lighting®.

www.finearthl.com Tel:(305) 821-3850 Fax:(305) 513-5736
FINE ART LAMPS®

STYLE NUMBER:
785650
DATE:
4/17/2020