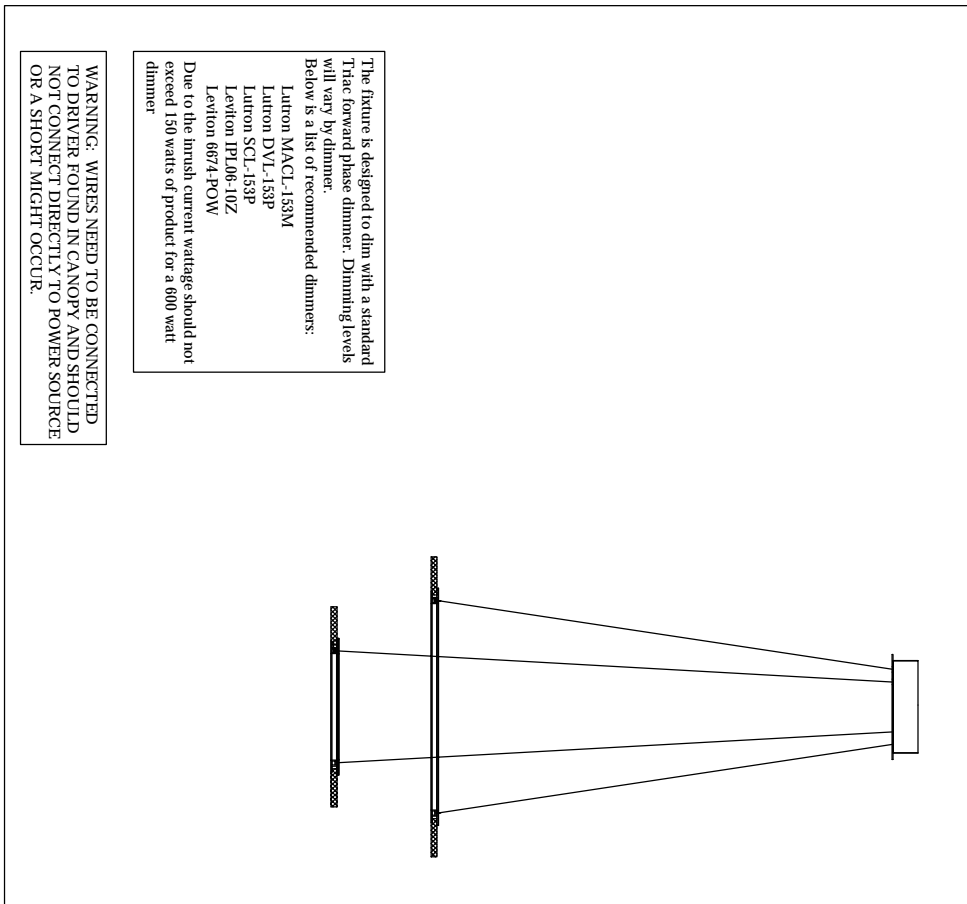




PRODUCT NAME: Saturn II LED Pendant
ITEM NUMBER: E22655-11MS

Please consult your electrician for hanging fixture and wiring.



The fixture is designed to dim with a standard Triac forward phase dimmer. Dimming levels will vary by dimmer.
Below is a list of recommended dimmers:

- Lutron MACL-153M
- Lutron DVL-153P
- Lutron SCL-153P
- Leyton IPL06-10Z
- Leyton 6674-POW

Due to the inrush current wattage should not exceed 150 watts of product for a 600 watt dimmer

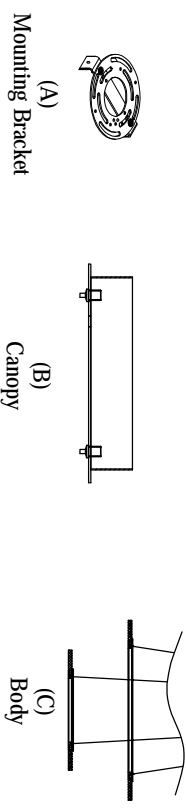
WARNING: WIRES NEED TO BE CONNECTED TO DRIVER FOUND IN CANOPY AND SHOULD NOT CONNECT DIRECTLY TO POWER SOURCE OR A SHORT MIGHT OCCUR.

PRODUCTS ARE NOT INTENDED FOR COMMERCIAL USE.

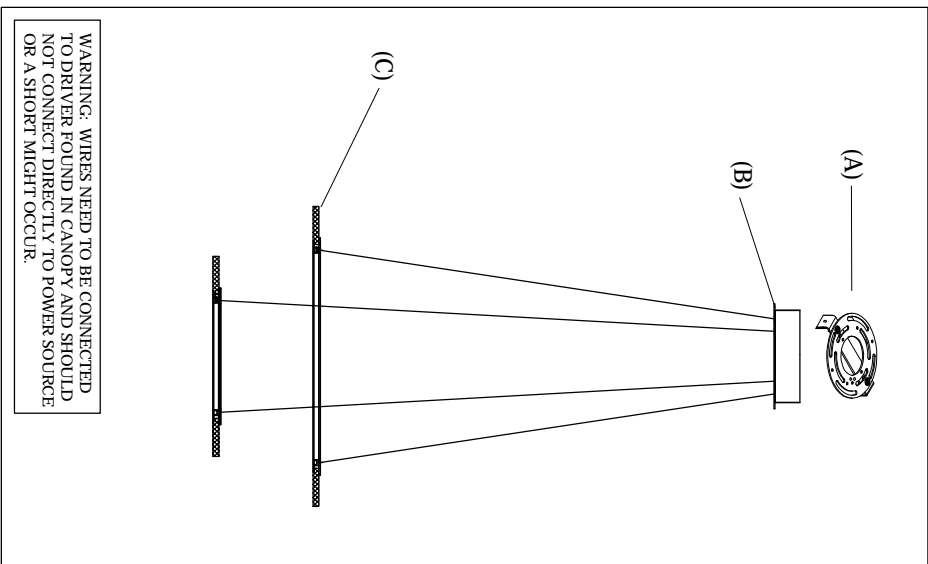
36W LED

MADE IN CHINA
Page 1 of (2)

IMPORTANT: Turn off the power at the main fuse or circuit breaker box before starting installation

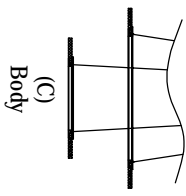


Locate all hardware & components before discarding packaging

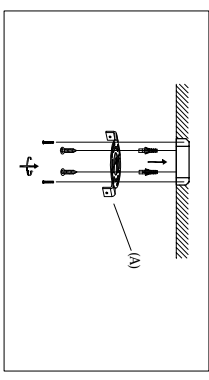


WARNING: WIRES NEED TO BE CONNECTED TO DRIVER FOUND IN CANOPY AND SHOULD NOT CONNECT DIRECTLY TO POWER SOURCE OR A SHORT MIGHT OCCUR.

Cleaning & Care:
Clean with soft cloth and a mild detergent.
Do not use abrasive cleaner.

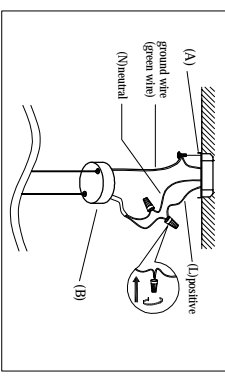


1.)



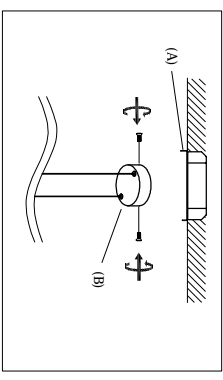
Step 1: Remove mounting bracket from fixture and install to electrical box. Mark where screws at ends of bracket meet the ceiling. Remove mounting bracket from ceiling. Drill holes using 3/16" drill bit where marked. Install mounting bracket to outlet box and attach anchors to secure bracket at ends.

2.)



Step 2: Use push pins to adjust wires to desired mounting height. Wire fixture to wires in outlet box. See dual plastic wire instructions for more details. Install Green wire to Ground Screw.

3.)



Step 3: Install Body (B) to Mounting Bracket (A) and tighten screws on the sides of the canopy to secure

Page 2 of (2)