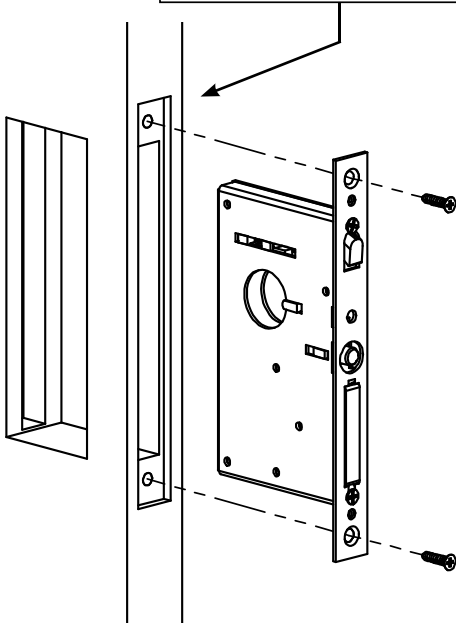


1. Install Lock Body

Outside

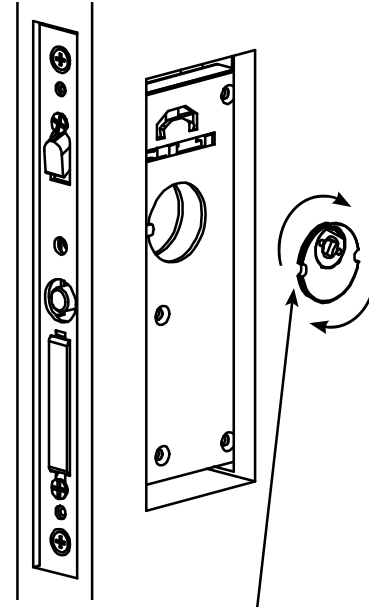
Drill two 1/8" pilot holes,
7-1/8" apart on center



See template for door prep specifications

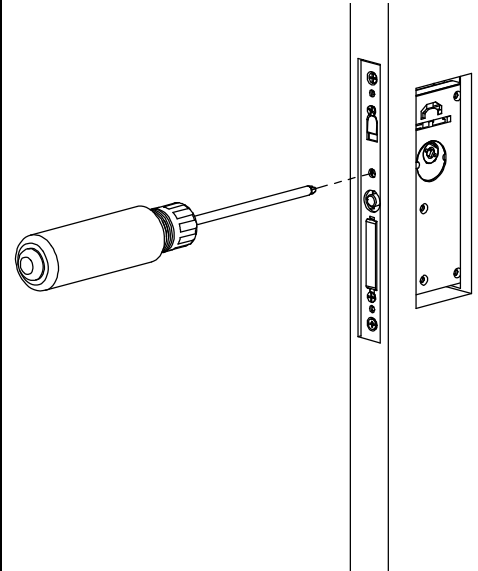
2. Install Drive Bar Cylinder

Inside



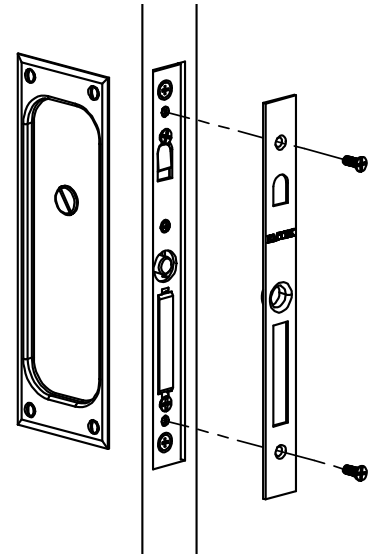
Note: Notch on cylinder must be in the 9 o'clock position when fully screwed into lock body.

3. Tighten Drive Bar Cylinder



Tighten locking screw to engage notch on cylinder

5. Install Trim Plate

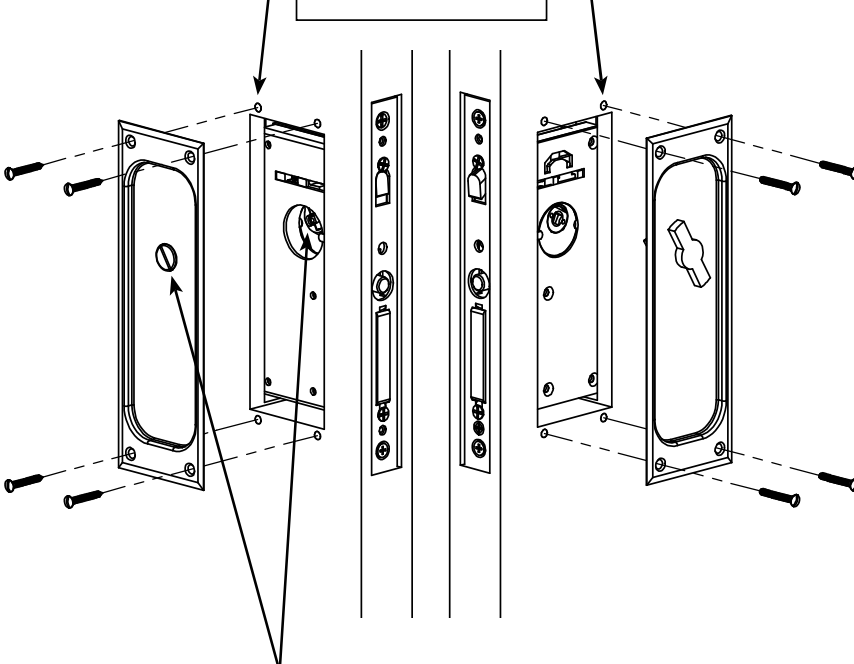


4. Mount Inside and Outside Covers

Outside

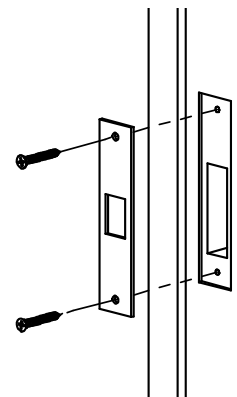
Inside

Drill 1/8" pilot holes



Align Passage/Privacy Button with Thumb-Turn spindle and secure trim plates to door.

Install Door Jamb



See template for door jamb prep specifications