

INSTALLATION INSTRUCTIONS FOR 9803

For Wall Sconce Fixture

WARNING! SHUT POWER OFF AT FUSE OR CIRCUIT BREAKER .
AVERTISSEMENT! COUPER LE COURANT AU NIVEAU DES FUSIBLES OU DU DISJONCTEUR.

MOUNTING THE FIXTURE (Fig.1)

1. Shut off the power at the circuit breaker box (avertissement! couper le courant au niveau des fusibles ou du disjoncteur) and remove the old fixture, including the mounting hardware.
1. Carefully unpack your new fixture and lay out all the parts on a clear area. Take care not to lose any small parts necessary for installation.
2. Attach the crossbar (Part#A-010) to the junction box with mounting screws (Size:8-32*1/2"L). The side of the crossbar marked "GND" must face out.
3. Thread the nipple part way into the center hole of the crossbar. The length of the nipple into the crossbar may be adjusted if necessary.

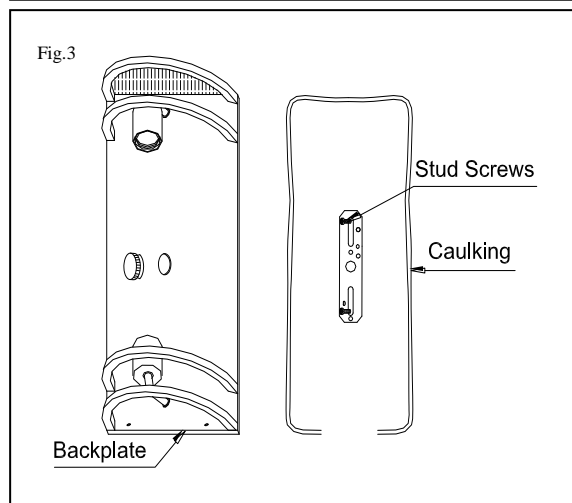
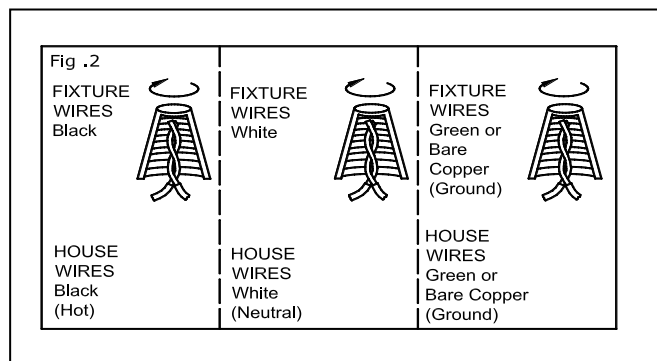
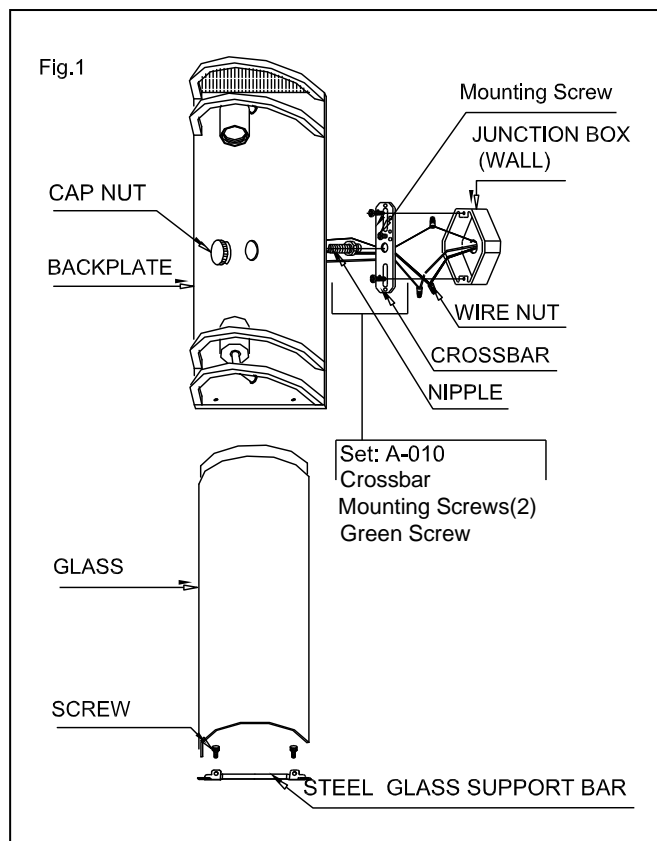
CONNECTING THE WIRES (Fig.2)

4. At this point, connect the electrical wire as shown in Fig. 2, making sure that all wire connectors are secured. If your outlet has a ground wire (green or bare copper), connect the fixtures ground wire to it. Otherwise, connect the fixture ground wire directly to the crossbar using the green screw provided. After wires are connected, tuck them carefully inside the junction box.

COMPLETING THE INSTALLATION (Fig.1)

5. Align the fixture back plate to the nipple and secure with the cap nut provided
6. Notice: To comply with UL Standards and maintain product warranty, use clear silicone sealant to outline the outside of the fixture back plate where it meets the wall to prevent moisture from entering the junction box while leaving a space at the bottom to allow moisture to escape (Fig 3.). Failure to do so will void any expressed warranty.
7. Install the light bulbs (2xA19 60W not included) in accordance with the fixture's specification: **DO NOT EXCEED THE MAXIMUM WATTAGE RATING! (NE PAS DEPASSER LA PUISSANCE NOMINALE MAXIMALE!)**
8. Place the glass with the marked arrow on the top side into the fixture and secure the steel glass support bar with the screws provided.

Your installation is now complete. Return power to the junction box and test the fixture.



MIN 90°C SUPPLY CONDUCTORS