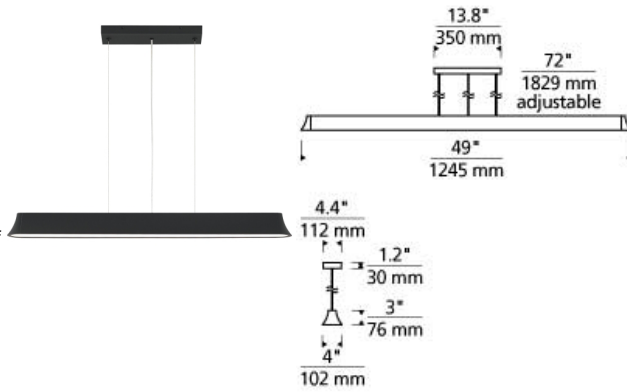


# LINEAR SUSPENSION

## Zhane 49 Linear Suspension LED FL T20

### DESCRIPTION

The Zhane suspension is ultra-modern in design and boasts hard and soft lines that converge into a simply elegant silhouette. The bottom of this sleek suspension piece features an acrylic diffuser which provides a glare-free wash of light. A highly reflective inner white housing and two high output fluorescent lamps ensures this fixture performs as well as it looks. Scaling at 49" in length the Zhane is ideal for dining room lighting, conference room lighting and a host of residential and commercial lighting applications. Your choice of fully dimmable LED lamping ships with the Zhane saving you both time and money. Includes 40 watt, 2400 lumen 3000K linear LED strips. Has a maximum drop length of 6 feet. LED dimmable with a low-voltage electronic dimmer.



### INSTALLATION

This product can mount to either a 4" square electrical box with round plaster ring or an octagonal electrical box (not included).

### WEIGHT

8.5-9lb / 3.86-4.08kg ±



black  
49"

satın nickel  
49"

### ORDERING INFORMATION

700LSZHN	LENGTH (A)	FINISH	LAMP
49	49"	B BLACK RUBBERIZED S SATIN NICKEL	-LED LED 90 CRI 3000V 120V (T24) -LED277 LED 90 CRI 3000V 277V



**TECH LIGHTING®**

7400 Linder Avenue T 847.410.4400  
Skokie, Illinois 60077 F 847.410.4500

Tech Lighting, L.L.C.

700LSZHN \_\_\_\_\_

FIXTURE TYPE: \_\_\_\_\_

JOB NAME: \_\_\_\_\_

NOTES: \_\_\_\_\_

\_\_\_\_\_

\_\_\_\_\_

\_\_\_\_\_



©2019 Tech Lighting, L.L.C. All Rights Reserved. The "Tech Lighting" graphic is a registered trademark of Tech Lighting, L.L.C. Tech Lighting reserves the right to change specifications for product improvements without notification.