



Features

- Drop-in installation
- 20" bath depth
- Solid Vikrell® material
- Durable high-gloss finish
- End drain can be installed as left- or right-hand drain
- Optional flange kit available for easier conversion to alcove installation. Kit provides continuous rim support and added water containment benefits compared to nonflanged alcove installation

Recommended Products/Accessories

71317100 Tile-In Flange Kit for 60" Models



Codes/Standards

CSA B45.5/IAPMO Z124

ASTM E162

ASTM E662

Greenguard UL 2818 - Gold



HUD, UM Bulletin 73

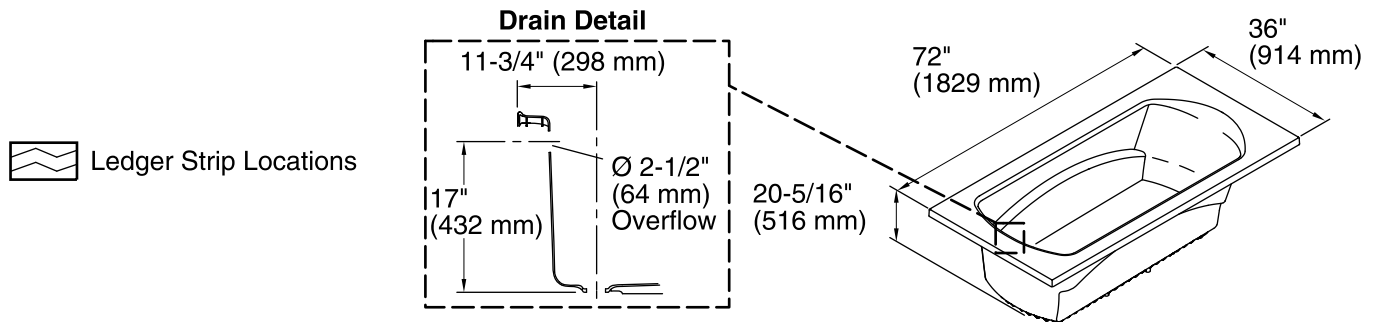
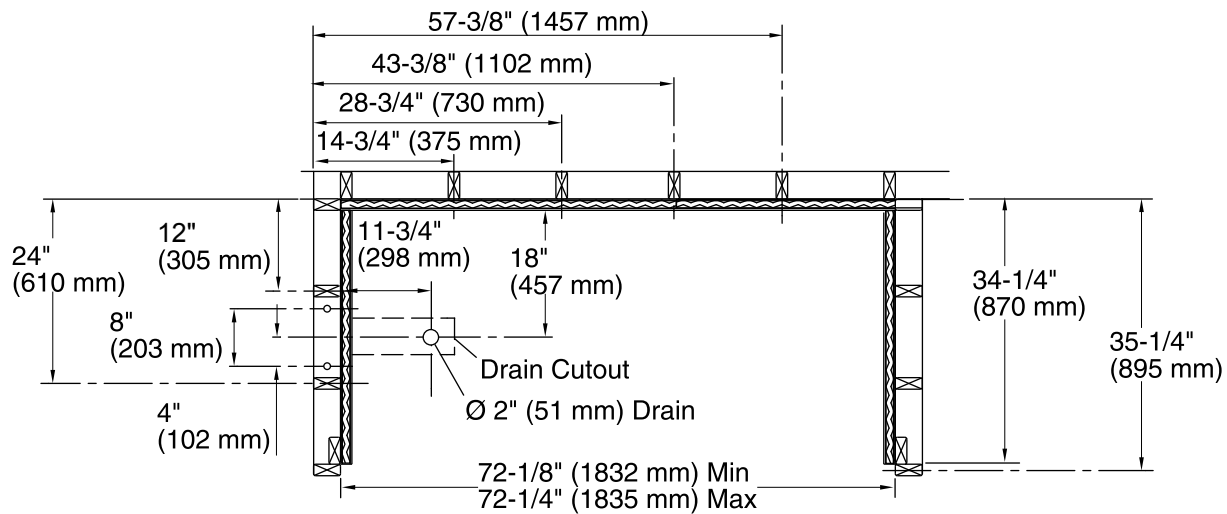
Warranty – Bathing Fixtures (and) Kitchen and Utility Sinks Made of Solid Vikrell® Material

See website for detailed warranty information.

Available Colors/Finishes

Color tiles intended for reference only.

Color	Code	Description
	0	White
	96	KOHLER Biscuit



Technical Information

All product dimensions are nominal.

Installation:	Drop-in
Drain location:	End
Basin area, bottom:	50-3/8" x 21-3/4" (1280 mm x 552 mm)
Basin area, top:	58-1/4" x 27" (1480 mm x 686 mm)
Water depth:	15-1/4" (387 mm)
Water capacity:	68 gal (257.4 L)
Minimum flat for door:	3" (76 mm)
Maximum door width:	72" (1829 mm)

Notes

- Install this product according to the installation instructions.
- Double studding is recommended for pivot shower door installations.
- Studs should be positioned roughly as shown.