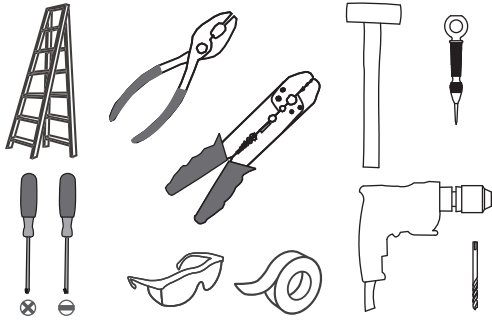
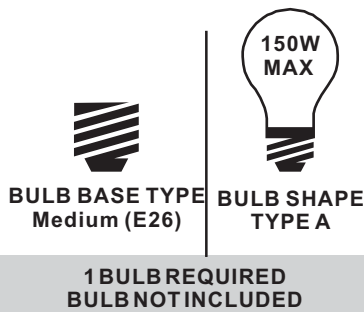


**Tools Required**



**Light Source**



**Warnings and Cautions**

Turn off the electricity at the circuit breaker before installation. Consult a licensed electrician if in doubt about installation.



Turn off power to the fixture and allow the bulbs to cool before replacing.

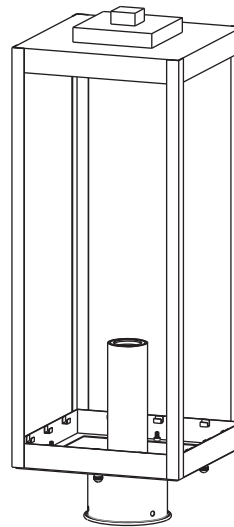
**Package Contents**

**Preparation:** Identify and inspect all parts before beginning the installation.

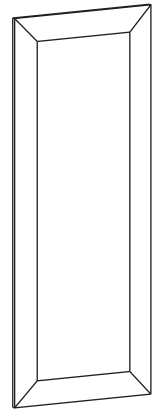
Missing or damaged parts? Contact your original place of purchase.

**PARTS BAG**

-  **A** Mounting Screw x 3
-  **B** Wire Connector x 3



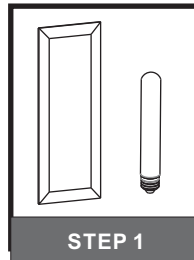
**C** Fixture Body x 1



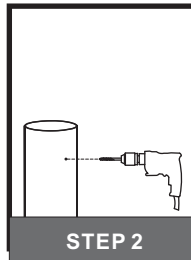
**D** Glass Panel x 4

**Table of Contents**

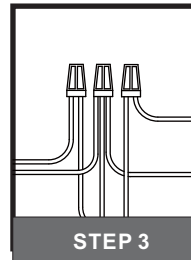
**Glass Panel & Bulb**



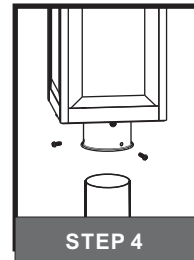
**Drill Holes**



**Wiring**



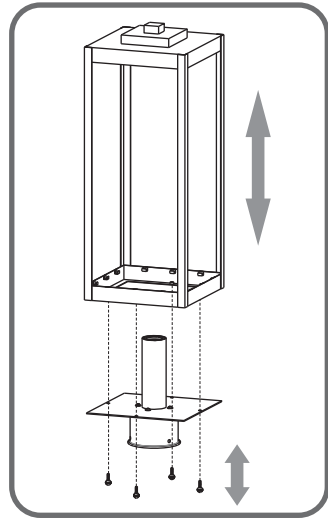
**Fixture Body**



**STEP 1**

1

Remove the Cage

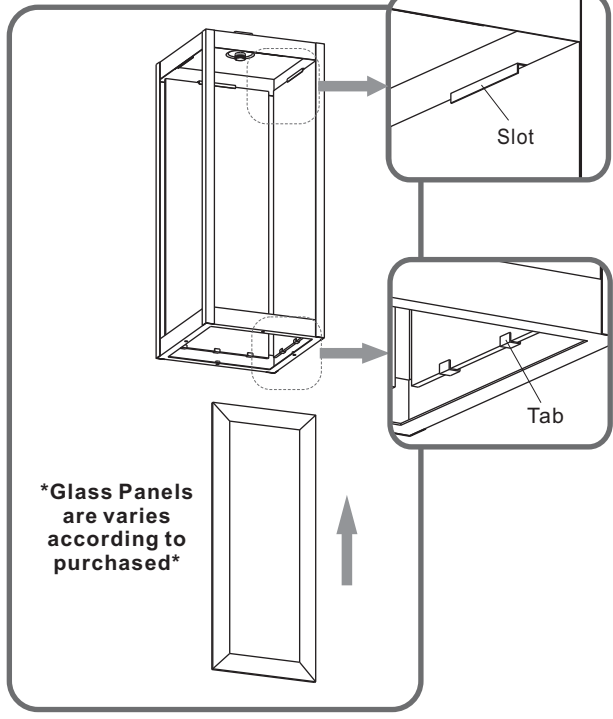


Re-install the Cage

4

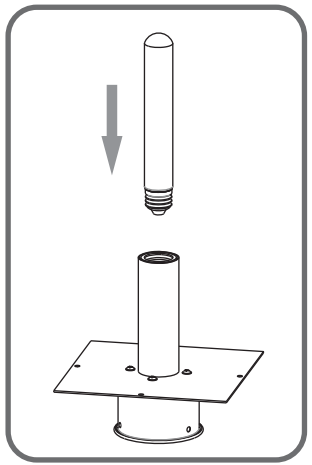
2

Install Glass Panel



3

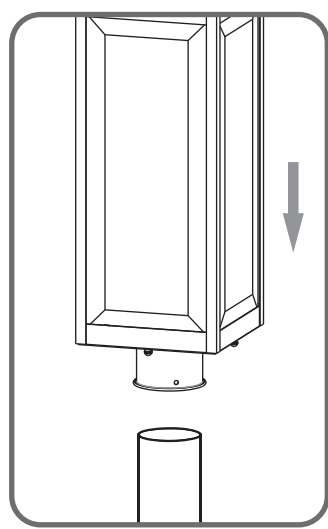
Install Bulb



**STEP 2**

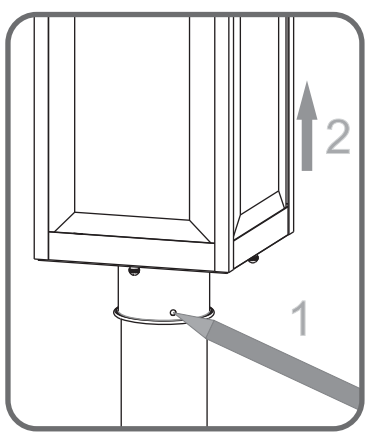
1

Step 1  
Place Post Fitter to Post

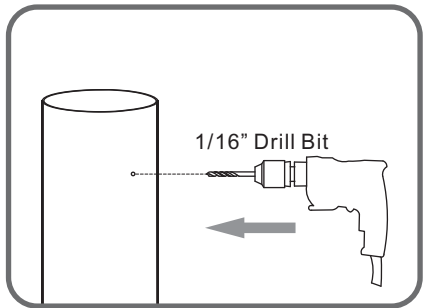
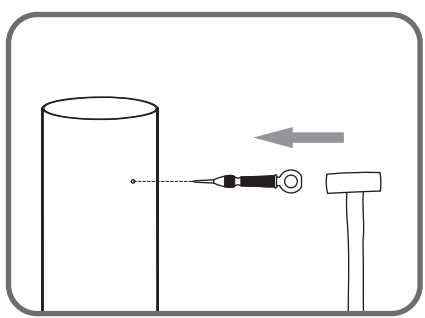


2

Step 2-3  
Mark Mounting Holes Location on Post



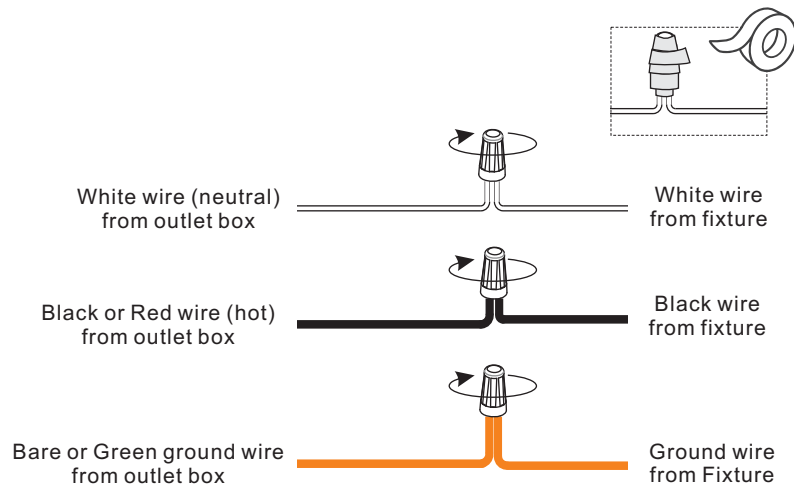
3



Step 4  
Drill Holes

4

### STEP 3



### STEP 4

