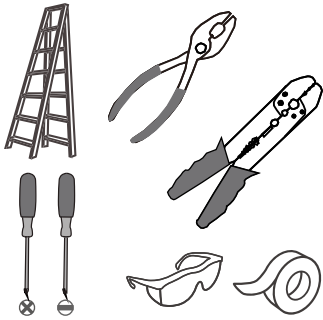
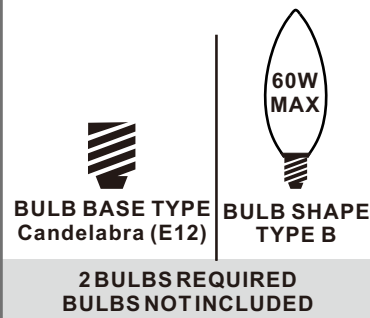


Tools Required



Light Source



Warnings and Cautions

Turn off the electricity at the circuit breaker before installation. Consult a licensed electrician if in doubt about installation.

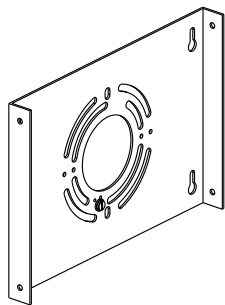
Turn off power to the fixture and allow the bulbs to cool before replacing.

Package Contents

Preparation: Identify and inspect all parts before beginning the installation.

Missing or damaged parts? Contact your original place of purchase.

PARTS BAG



A Inner Backplate
x 1

B Mounting Screw
x 4

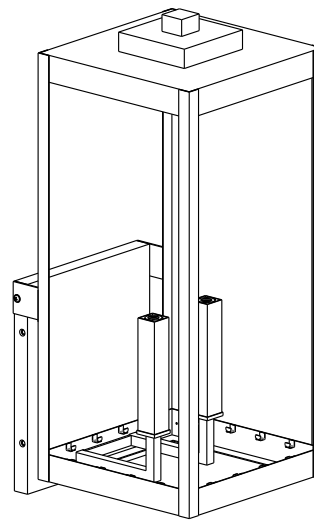
C Outlet Box Screw
x 2

D Wire Connector
x 3

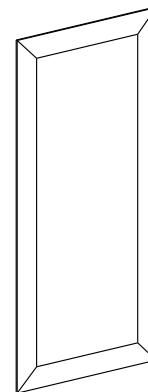
F Flat Washer
x 4

E Wall Anchor
x 4

G Screw
x 4



H Fixture Body
x 1



I Glass Panel
x 4

*Shape of glass panels may varies according to items purchased.

Table of Contents

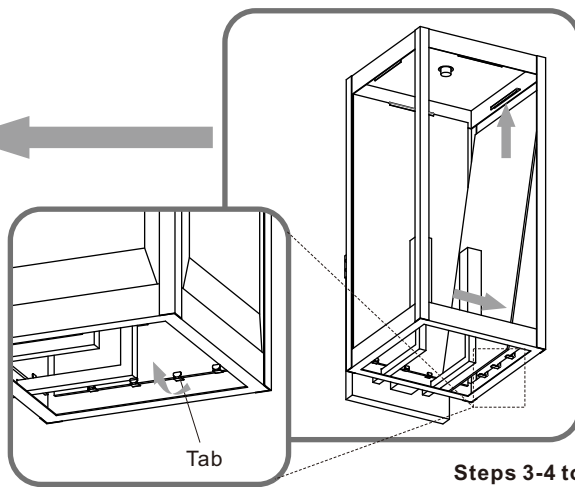
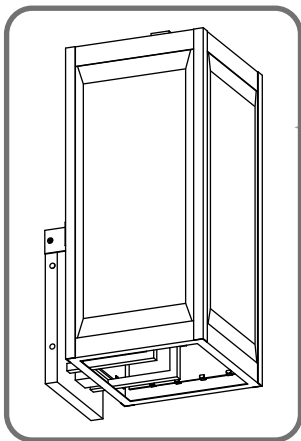
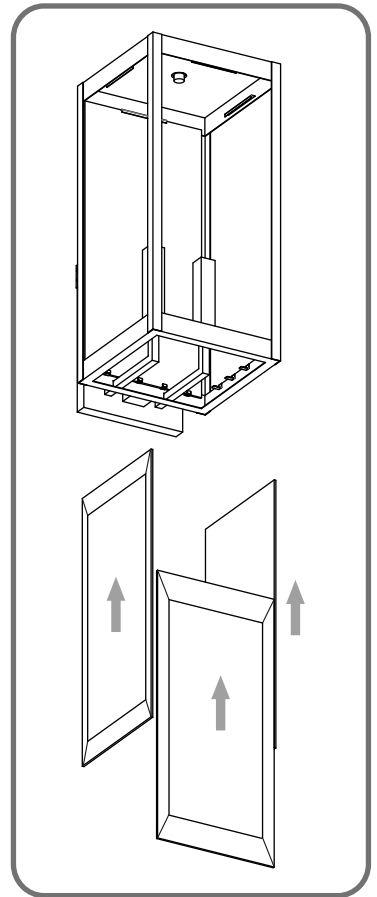
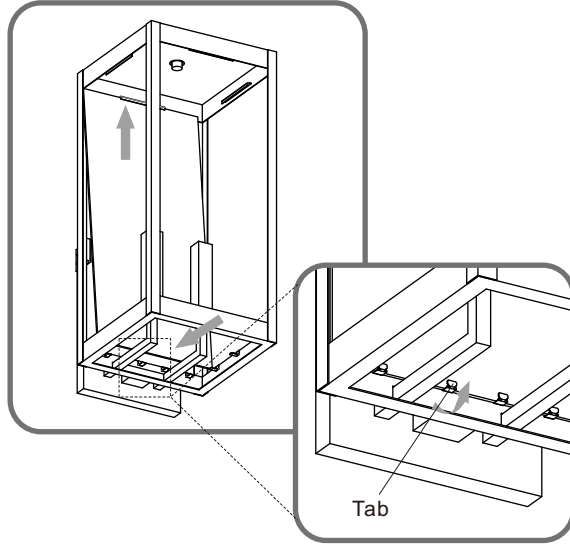
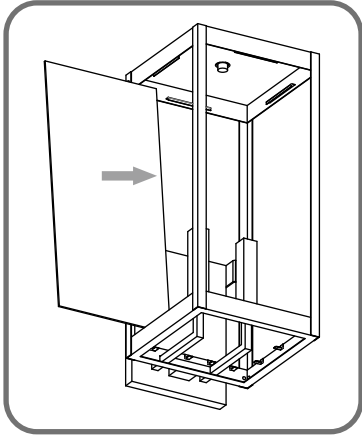
Glass panels	Inner backplate	Lanyard	Wiring	Fixture Body	Bulbs	Caulk
STEP 1	STEP 2	STEP 3	STEP 4	STEP 5	STEP 6	STEP 7

STEP 1

1

2

Steps 1-2 to install one glass panel into the back of the cage



Steps 3-4 to install rest glass panels

4

3

STEP 2

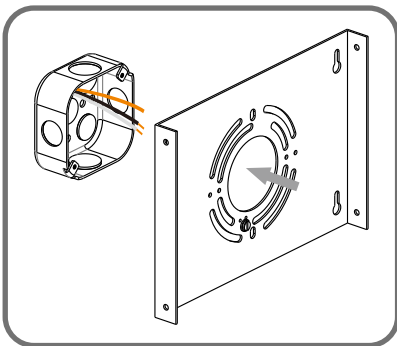
1

1

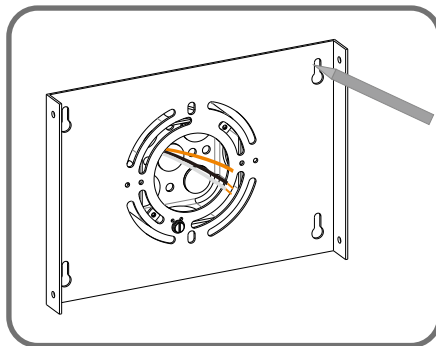
3

▶ NEXT PAGE

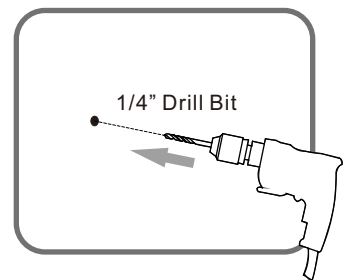
Fit Inner Backplate to Outlet Box



Mark Anchor Holes Location on the Wall



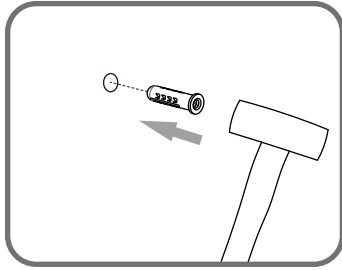
Drill Holes for Anchors from marks



STEP 2 (Continued)

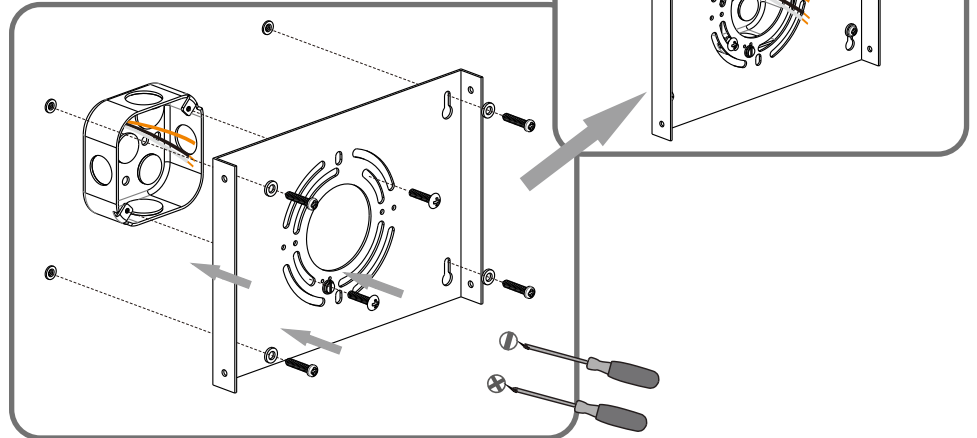
4

Install Wall Anchors

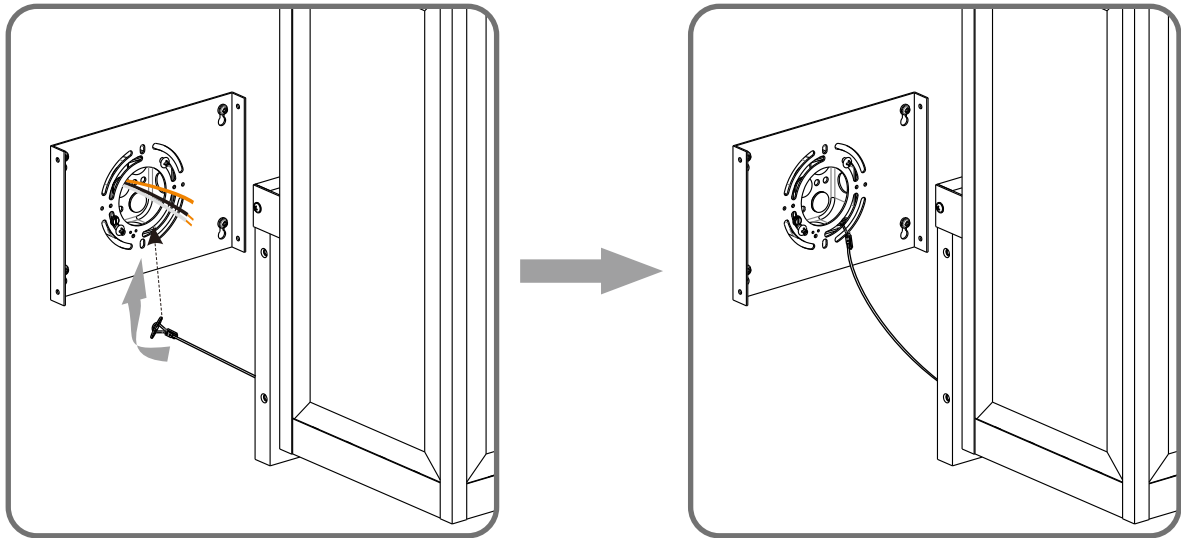


5

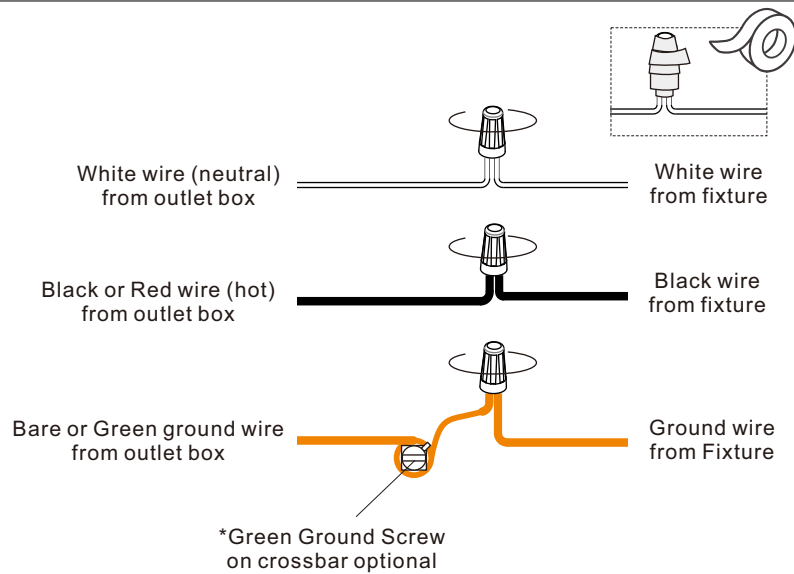
Install Inner Backplate



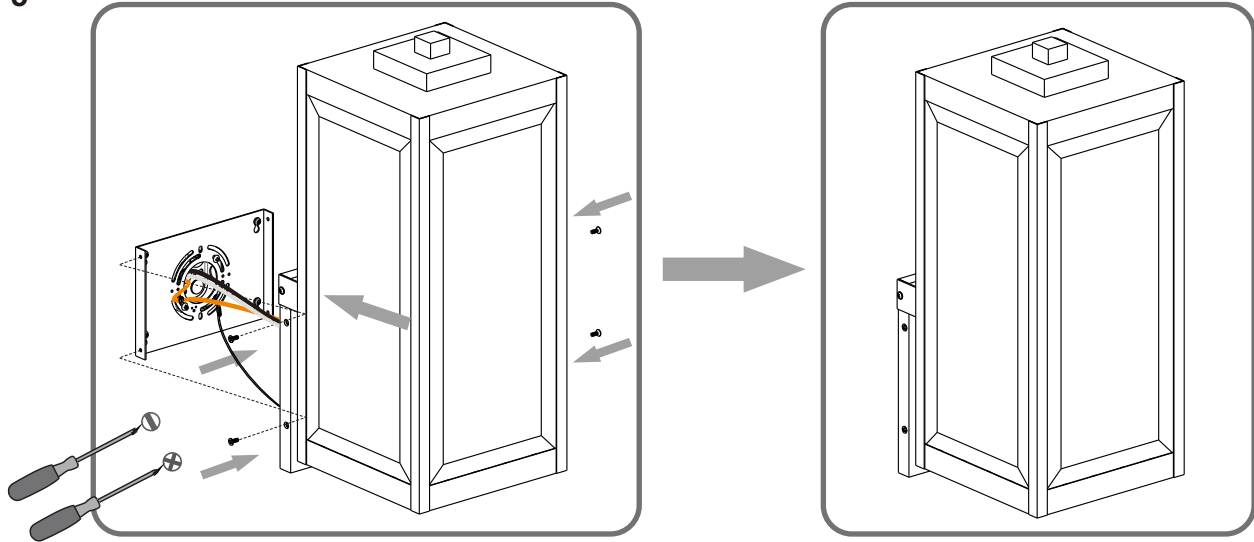
STEP 3



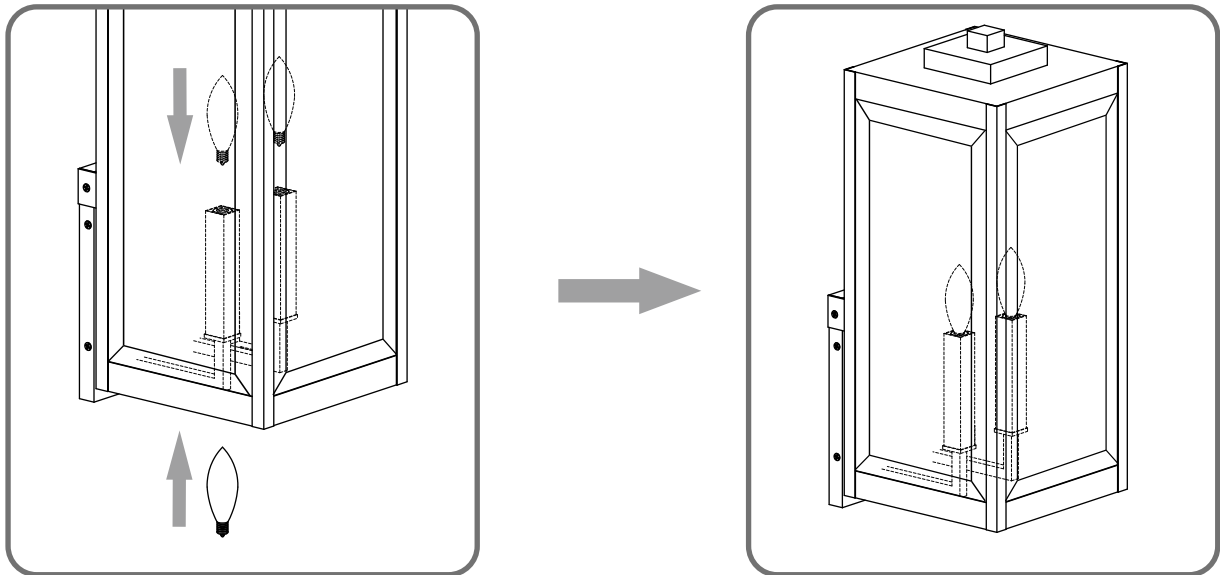
STEP 4



STEP 5



STEP 6



STEP 7

