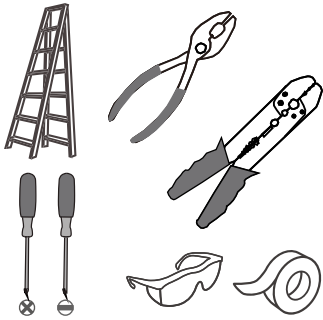
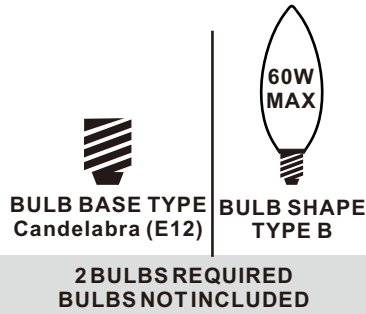


**Tools Required**



**Light Source**



**Warnings and Cautions**

Turn off the electricity at the circuit breaker before installation. Consult a licensed electrician if in doubt about installation.

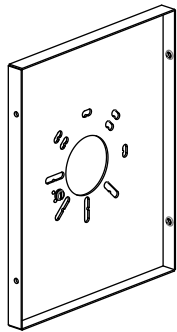
Turn off power to the fixture and allow the bulbs to cool before replacing.

**Package Contents**

**Preparation:** Identify and inspect all parts before beginning the installation.

Missing or damaged parts? Contact your original place of purchase.

**PARTS BAG**

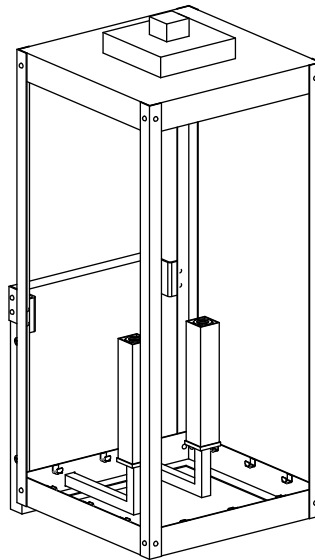


**A** Inner Backplate  
x 1

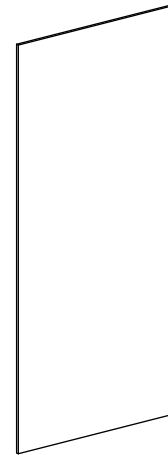
**B** Mounting Screw  
x 4

**C** Outlet Box Screw  
x 2

**D** Wire Connector  
x 3



**E** Fixture Body  
x 1



**F** Glass Panel  
x 4

**Table of Contents**

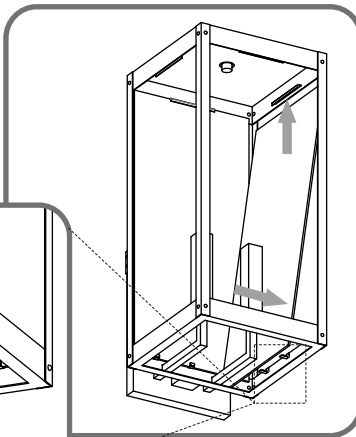
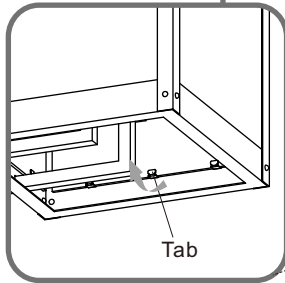
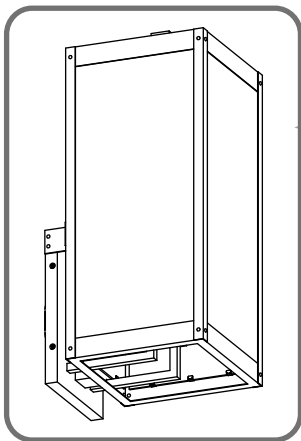
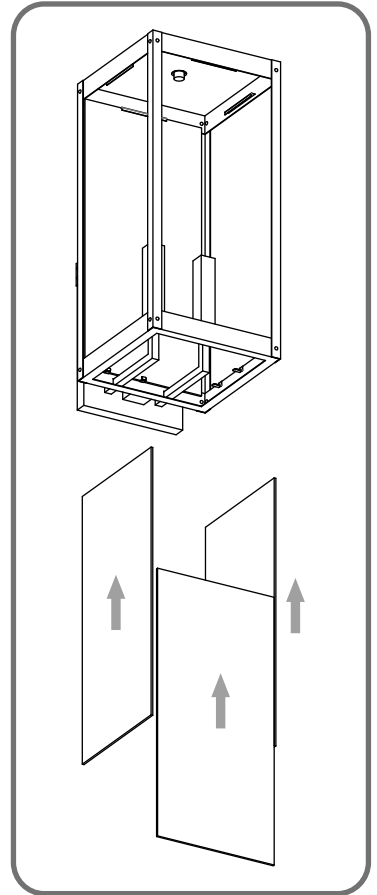
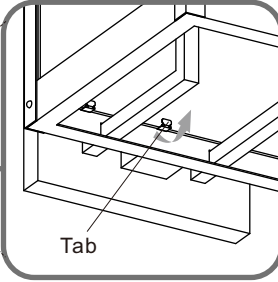
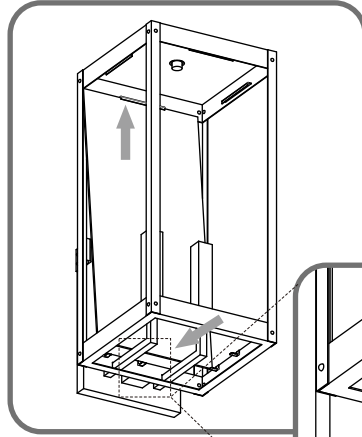
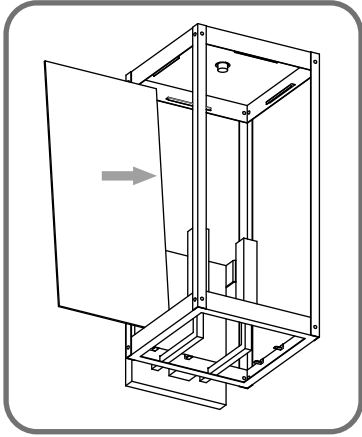
Glass panels	Inner backplate	Wiring	Fixture Body	Bulbs	Caulk
STEP 1	STEP 2	STEP 3	STEP 4	STEP 5	STEP 6

**STEP 1**

1

2

Steps 1-2 to install one glass panel into the back of the cage

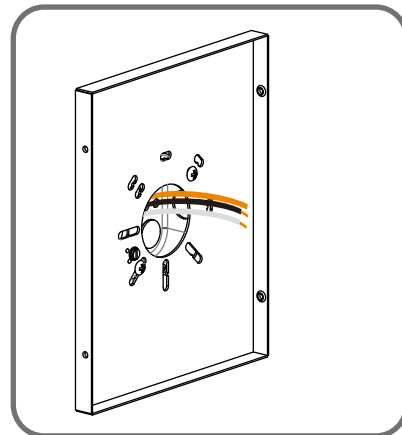
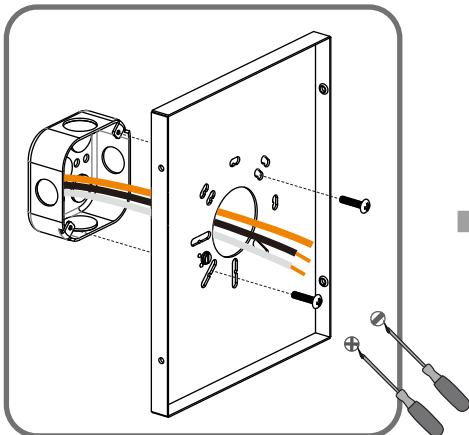


Steps 3-4 to install rest glass panels

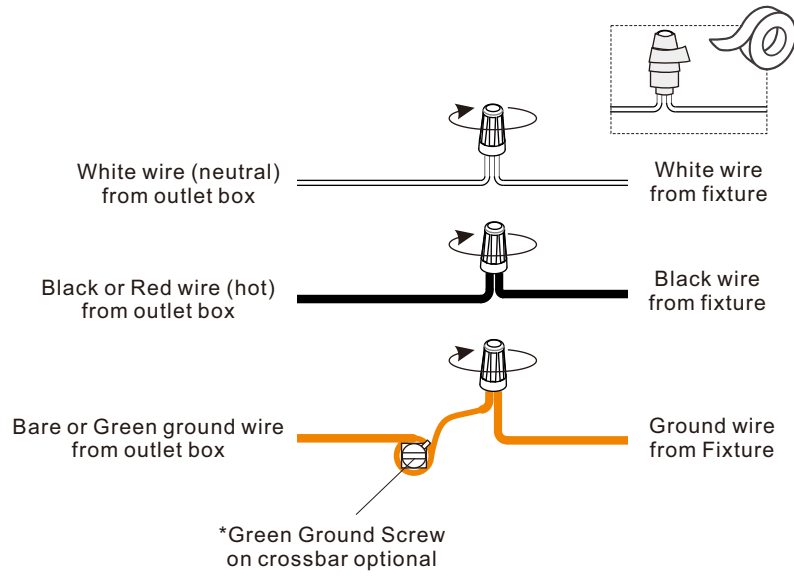
4

3

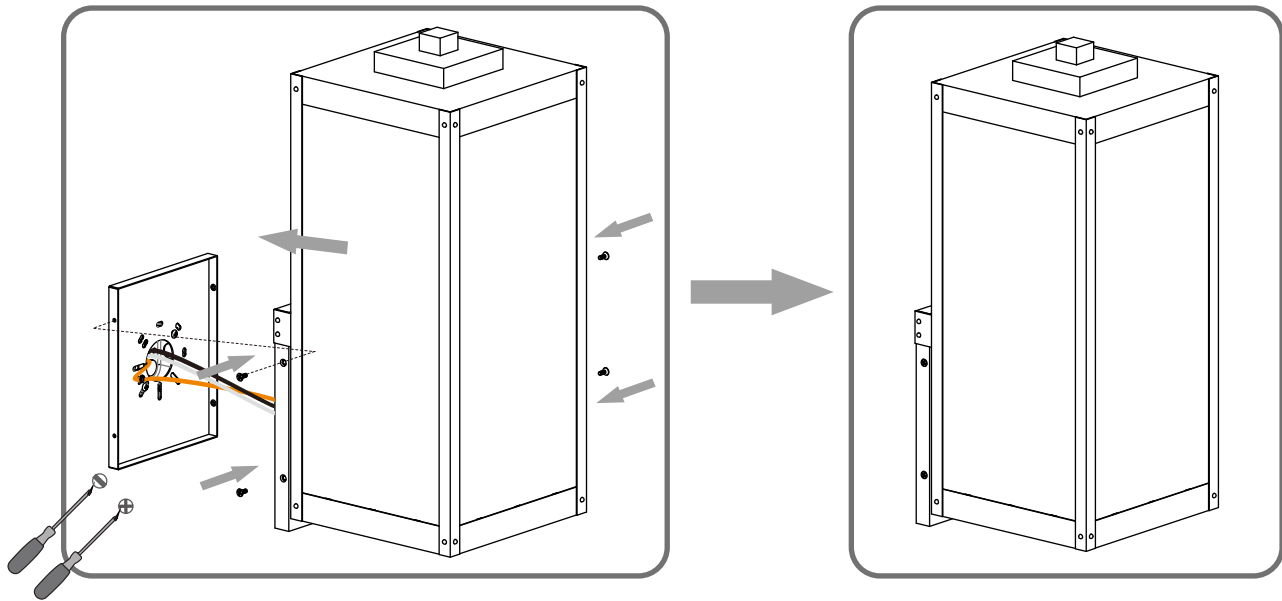
**STEP 2**



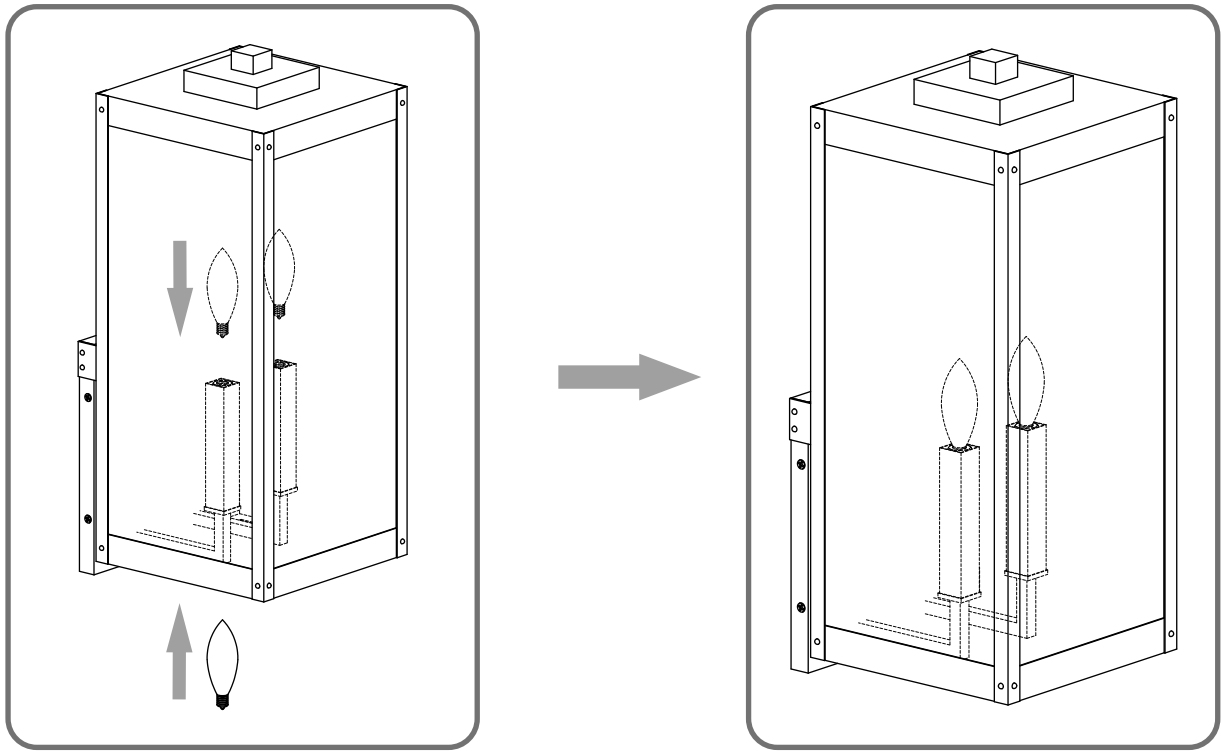
### STEP 3



### STEP 4



**STEP 5**



**STEP 6**

