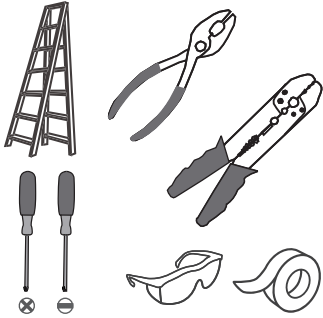
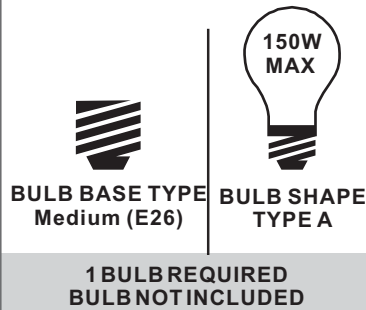


**Tools Required**



**Light Source**



**Warnings and Cautions**

Turn off the electricity at the circuit breaker before installation. Consult a licensed electrician if in doubt about installation.

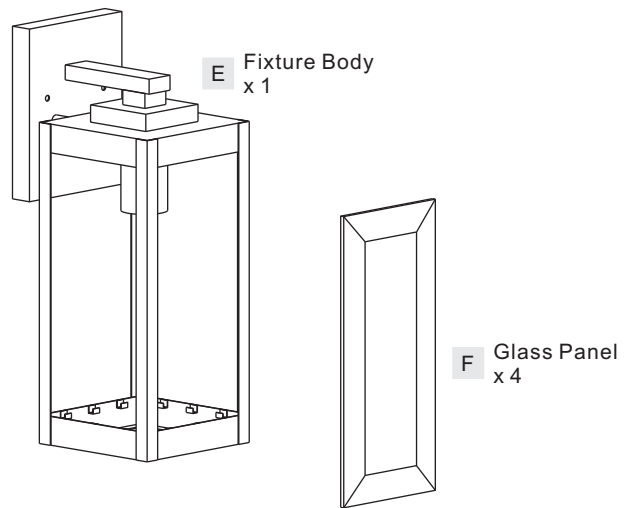
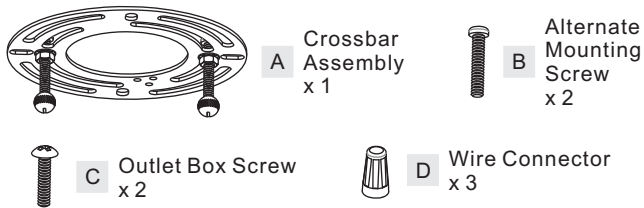
Turn off power to the fixture and allow the bulbs to cool before replacing.

**Package Contents**



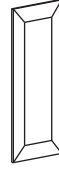
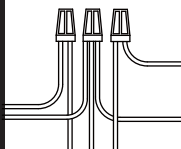
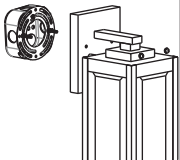

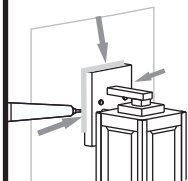
**Preparation:** Identify and inspect all parts before beginning the installation.

Missing or damaged parts? Contact your original place of purchase.

**PARTS BAG**

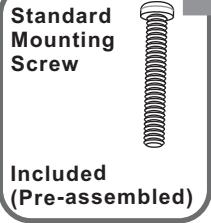


**Table of Contents**

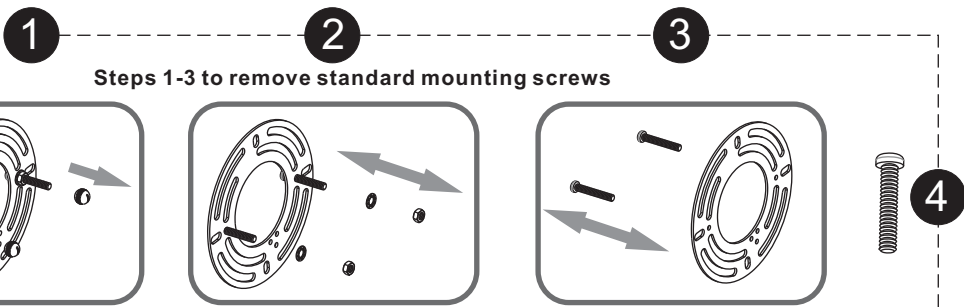
Alternate Mounting Screw	Crossbar Assembly	Glass Panel	Wiring	Fixture Body	Bulb	Caulk
						
STEP 1	STEP 2	STEP 3	STEP 4	STEP 5	STEP 6	STEP 7

# STEP 1

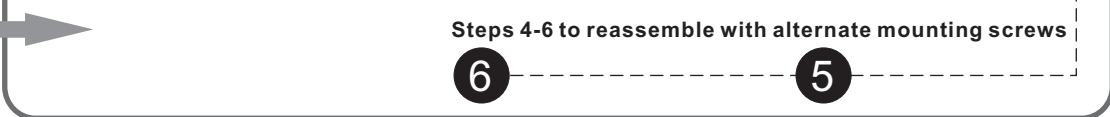
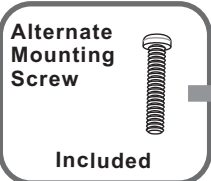
OPTION 1



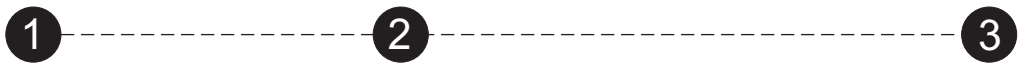
skip to next page



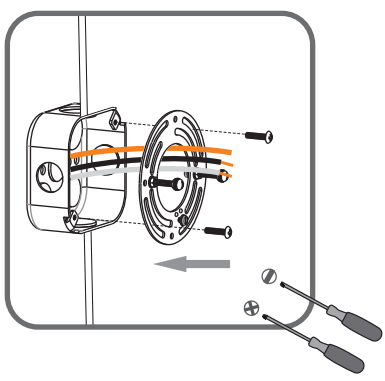
OPTION 2



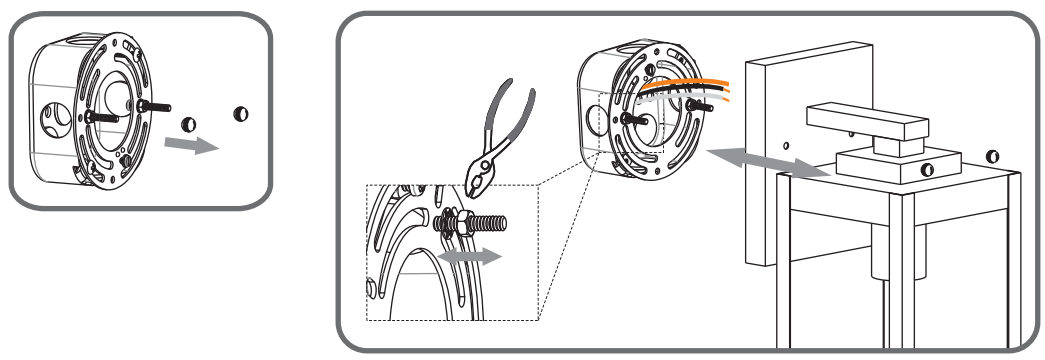
# STEP 2



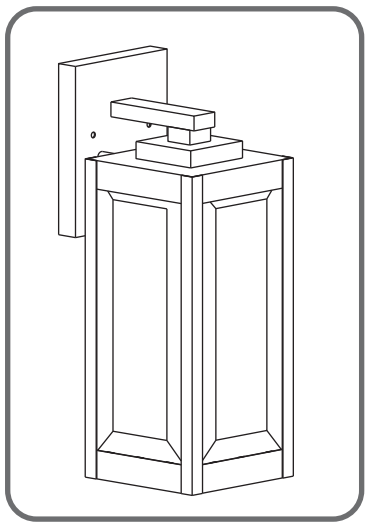
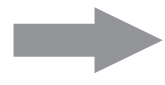
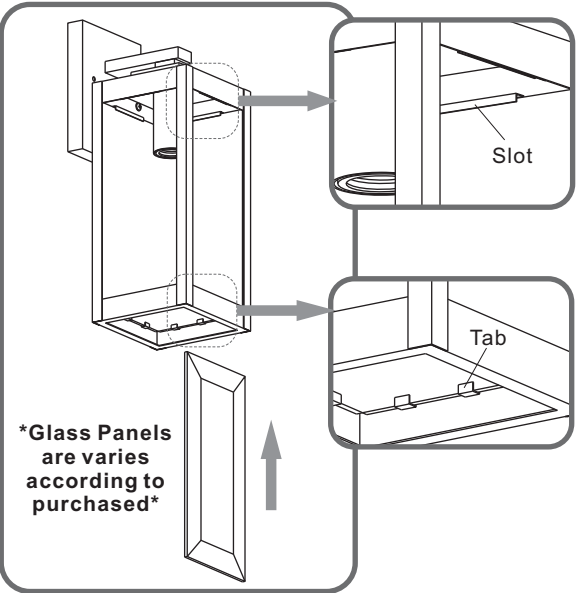
Step 1  
Install crossbar assembly



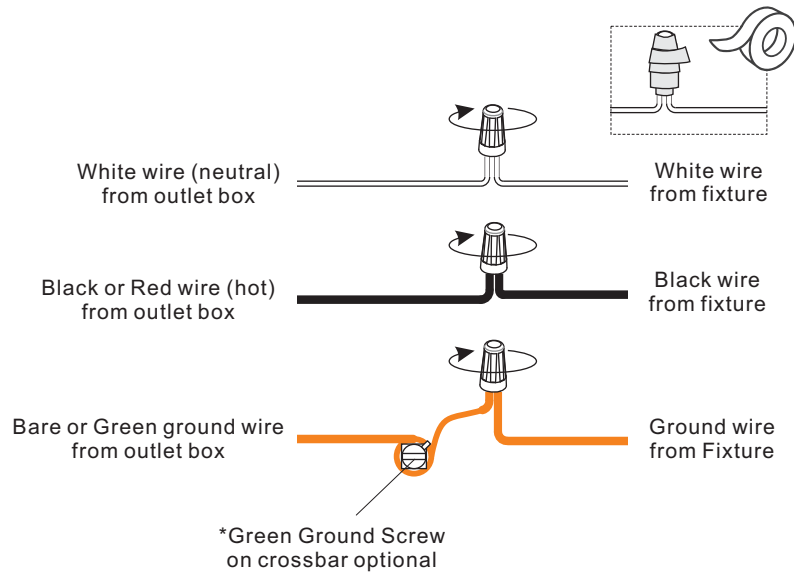
Step 2 - 3  
Test fitting backplate to mounting screws



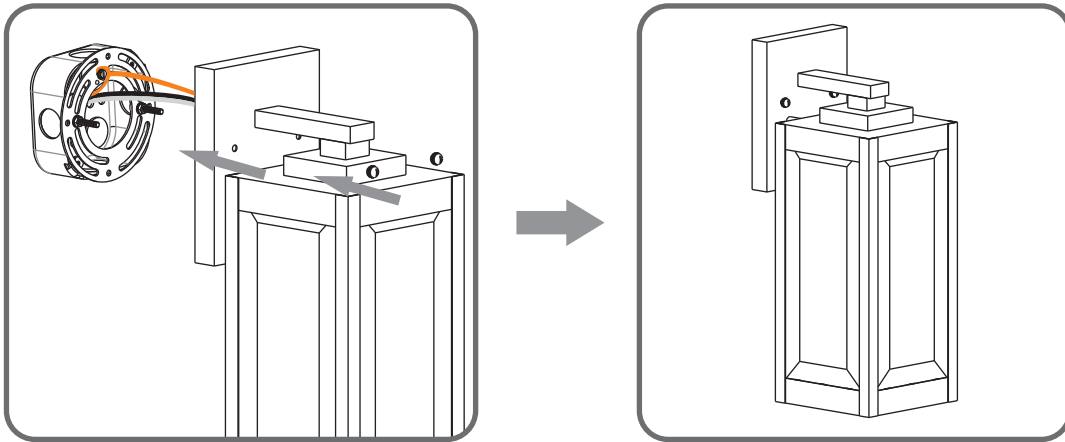
# STEP 3



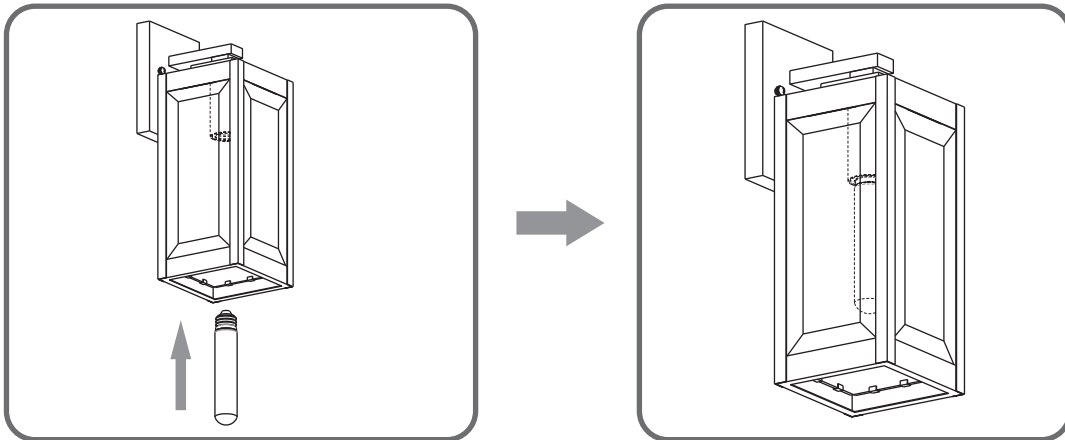
## STEP 4



## STEP 5



## STEP 6



**STEP 7**

