

INSTALLATION GUIDE FOR WLN1611MBKW, WLN1611MBKG, WLN1615MBKW and WLN1615MBKG

SAFETY INFORMATION

Released Date: 2022-02-16

Please read and understand this entire manual before attempting to assemble, install or operate the product.

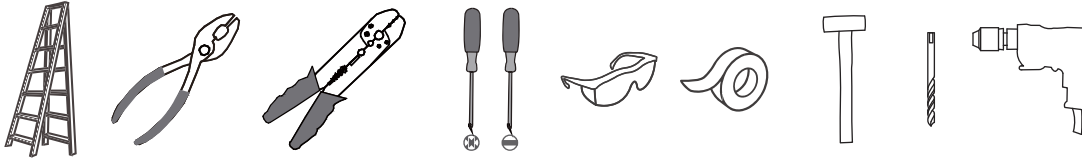
WARNING

- RISK OF ELECTRIC SHOCK - Before beginning installation, turn off electricity at the circuit breaker box or the main fuse box.

CAUTION

- For your safety, read instructions completely before beginning installation.
- If in doubt about electrical installation, consult a licensed electrician.

TOOLS REQUIRED



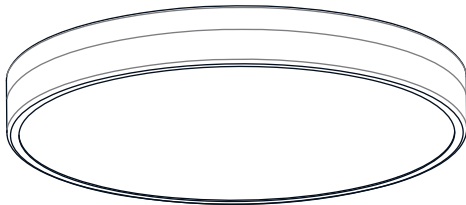
Ratings	120Vac, 60Hz	
	Model No.	Wattage
	WLN1611MBKW	16W
	WLN1611MBKG	16W
	WLN1615MBKW	30W
	WLN1615MBKG	30W

CARE AND MAINTENANCE

- Wipe clean using soft, dry cloth or static duster. Always avoid using harsh chemicals and abrasives to clean fixture as they may damage the finish.

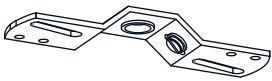
If you need further assistance call Quozel Customer Care at 1-800-645-3184 (9:00am - 5:00pm EST), or visit us on-line at www.quezel.com.

PACKAGE CONTENTS

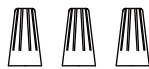


A Fixture Body
x 1

MOUNTING HARDWARE



AA Crossbar
x 1



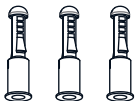
BB Wire Connector
x 3



CC Outlet Box Screw
x 2



DD Mounting Screw
x 2



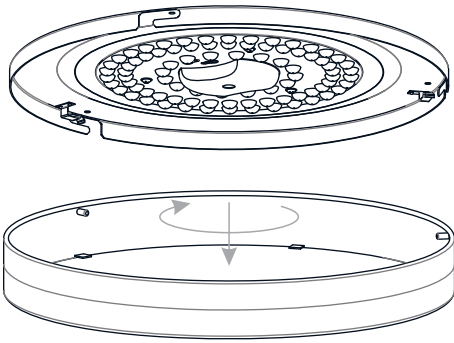
EE Wall Anchor
x 3



FF Screw
x 3

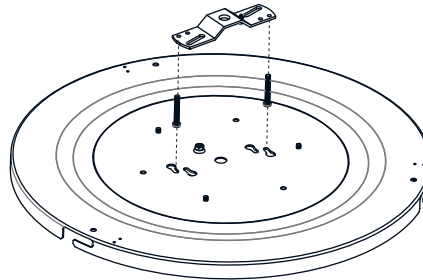
INSTALLATION

1 Remove Shade From Fixture Body

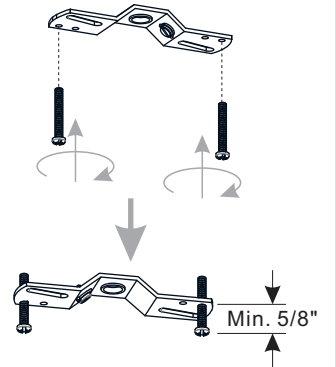


2 Install Mounting Screws to Crossbar

Determine mounting holes for mounting screws

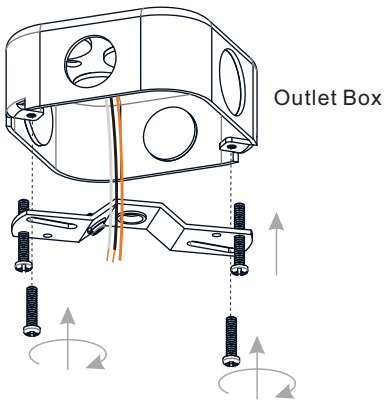


Install mounting screws

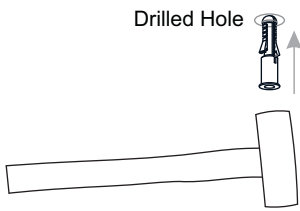
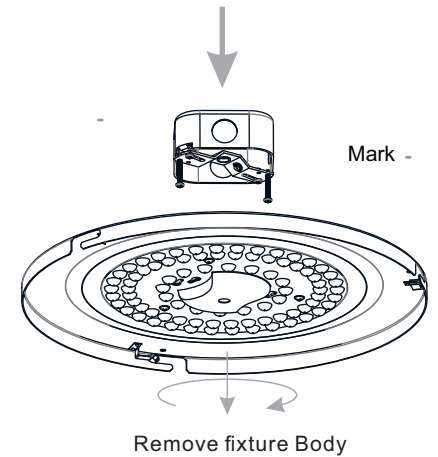
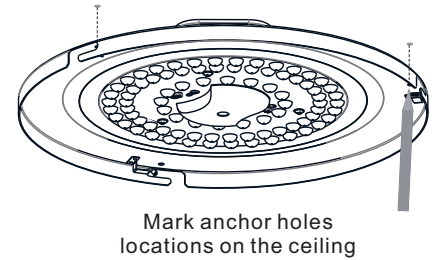
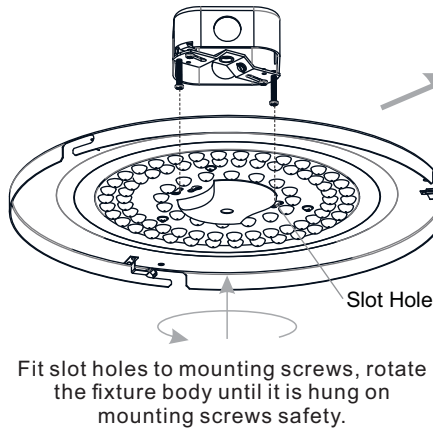


* **DO NOT** screw mounting screws all in the crossbar. Leave a minimum length of 5/8" for next installations.

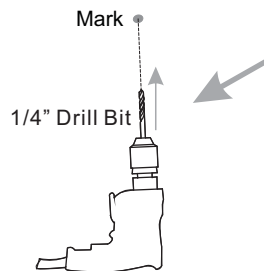
3 Install Crossbar



4 Install Wall Anchors



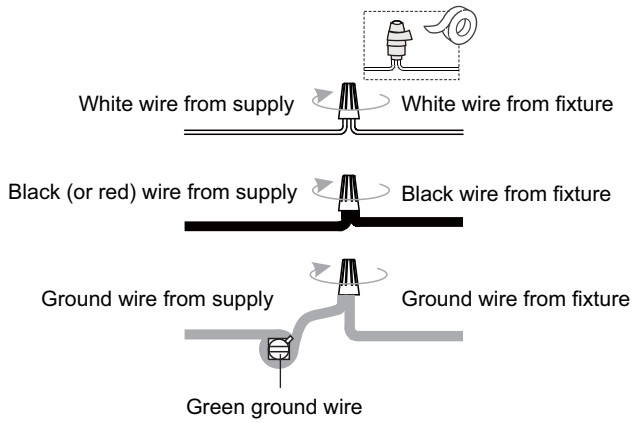
Install wall anchors into drilled holes



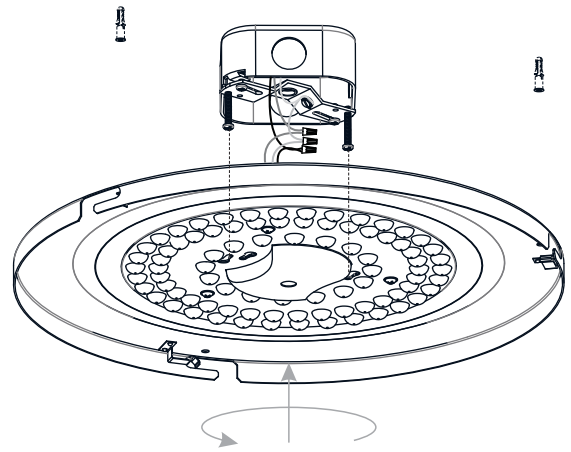
Drill holes for wall anchors from marks

INSTALLATION

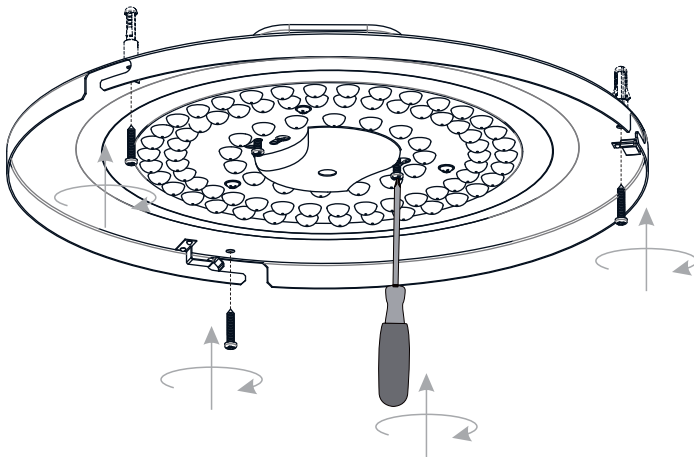
5 Wiring



6 Hang Fixture Body to Mounting Screws

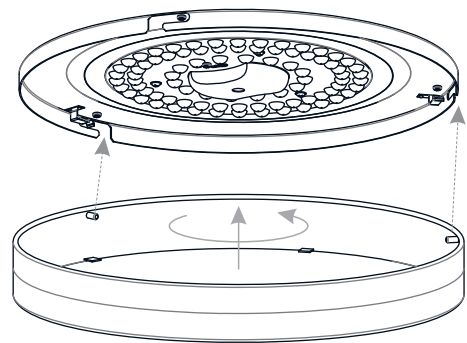


7 Install Screws



Tighten all screws (include mounting screws).

8 Install Shade Back to Fixture Body



Your installation is now complete! Restore electricity and save this sheet for future reference.