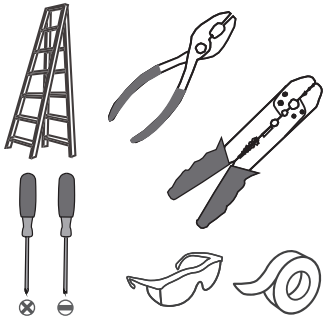
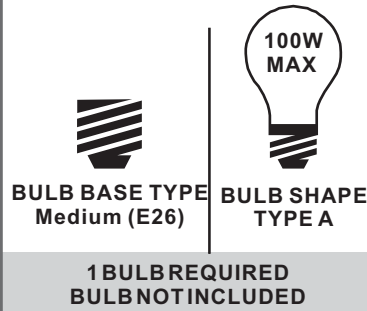


**Tools Required**



**Light Source**



**Warnings and Cautions**

Turn off the electricity at the circuit breaker before installation. Consult a licensed electrician if in doubt about installation.

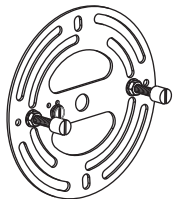
Turn off power to the fixture and allow the bulbs to cool before replacing.

**Package Contents**

**Preparation:** Identify and inspect all parts before beginning the installation.

Missing or damaged parts? Contact your original place of purchase.

**PARTS BAG**



**A** Crossbar Assembly  
x 1



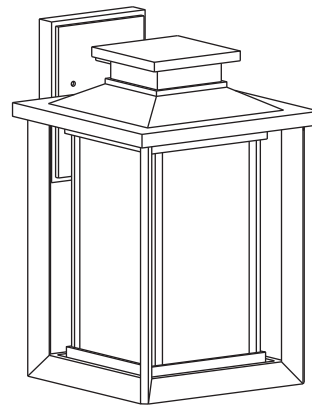
**C** Outlet Box Screw  
x 2



**B** Alternate Mounting Screw  
x 2



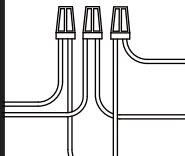
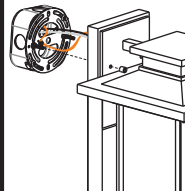

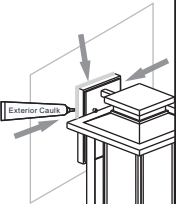


**D** Wire Connector  
x 3



**E** Fixture Body  
x 1


**Table of Contents**

Alternate Mounting Screw	Crossbar Assembly	Wiring	Fixture Body	Bulb	Caulk
					
STEP 1	STEP 2	STEP 3	STEP 4	STEP 5	STEP 6

# STEP 1


OPTION 1

Standard Mounting Screw  
Included (Pre-assembled)

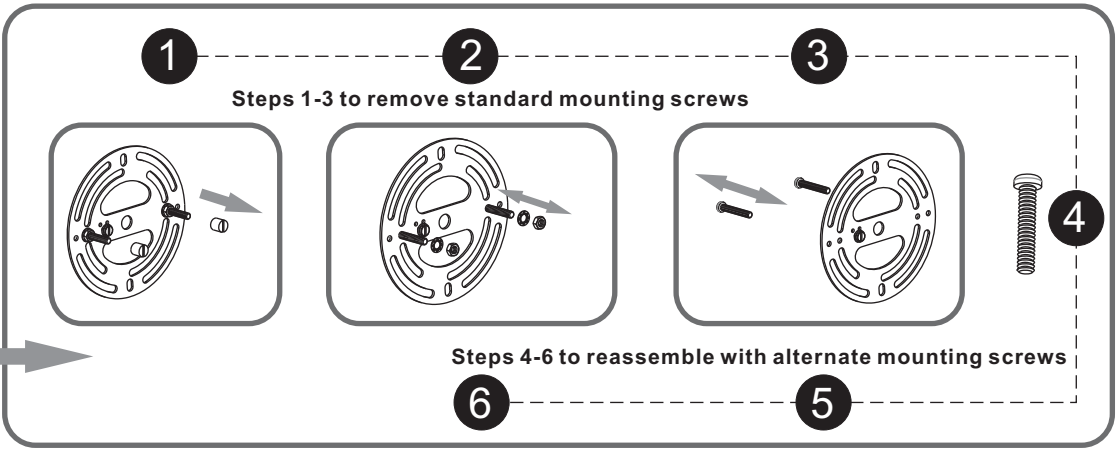


OPTION 2

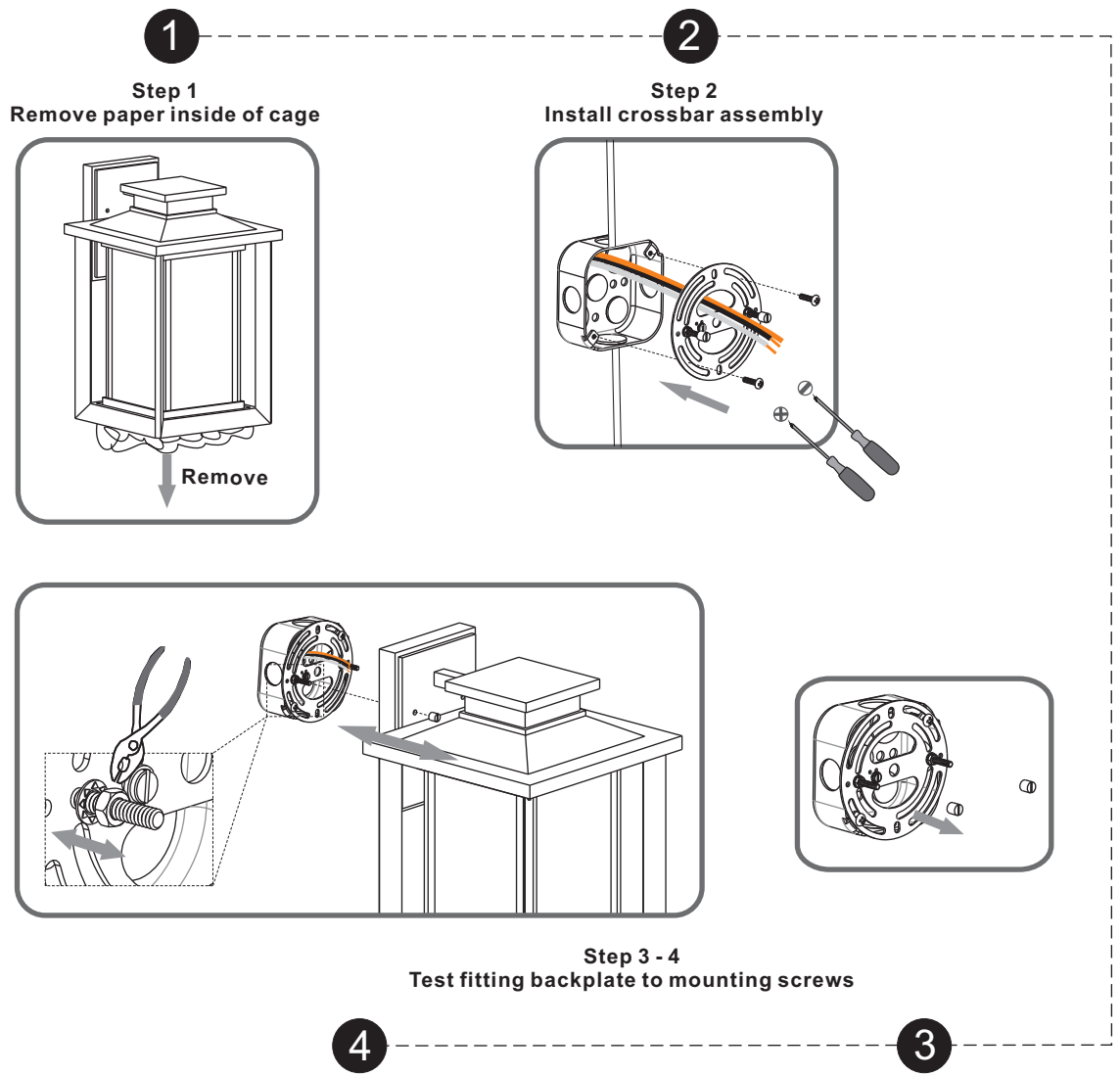
Alternate Mounting Screw  
Included



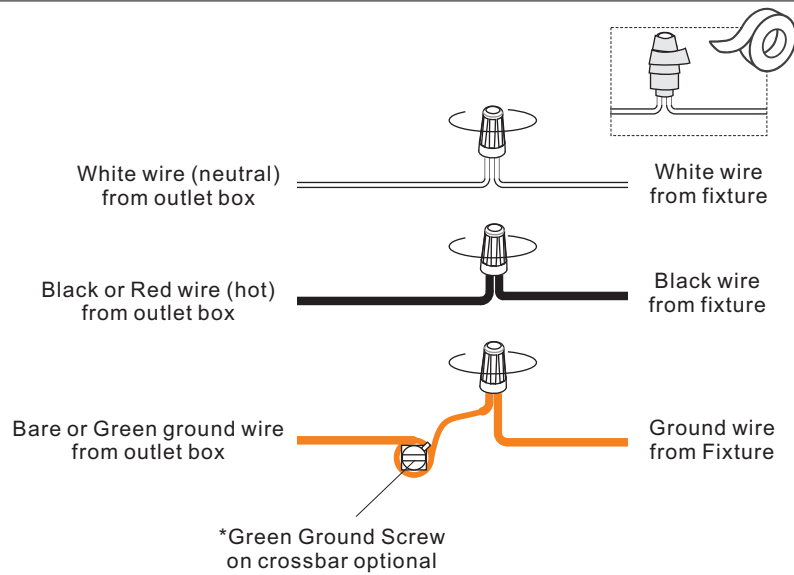
skip to next page



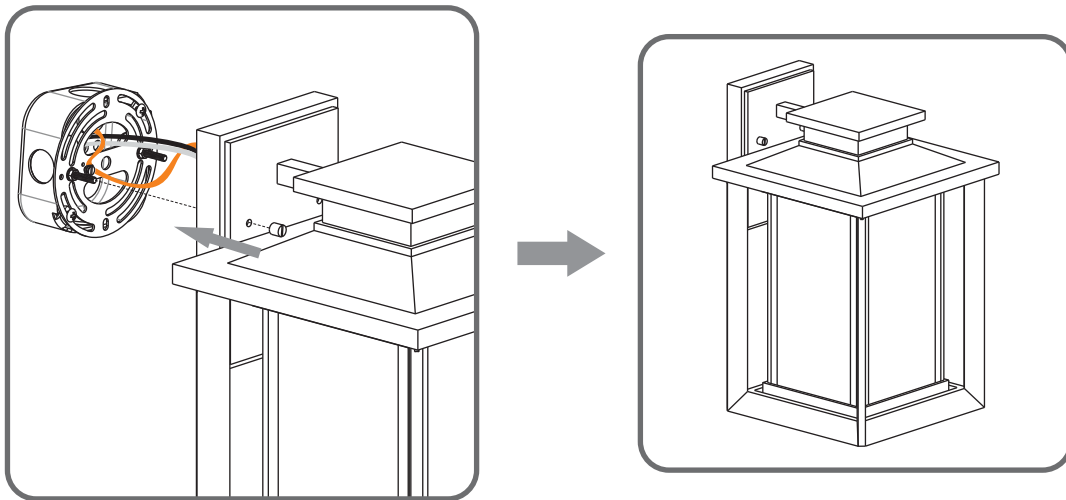
# STEP 2



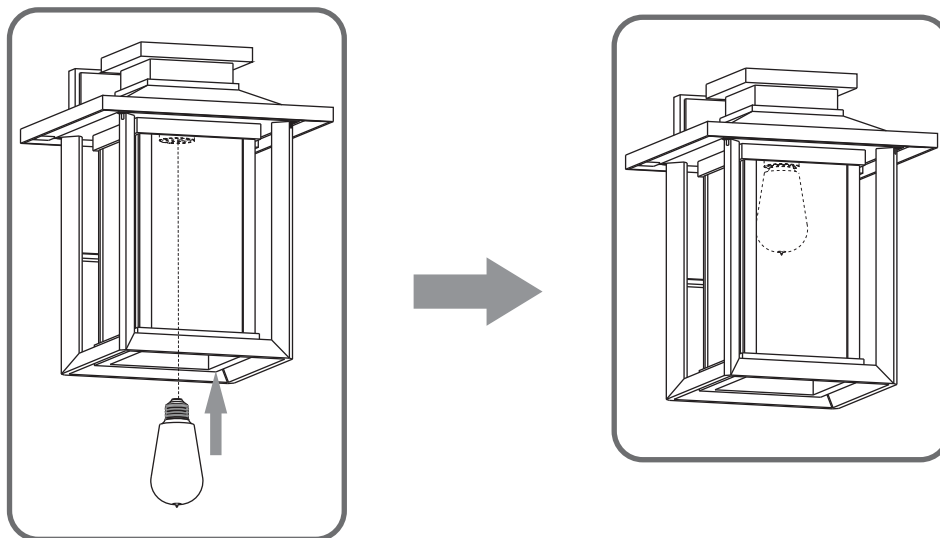
### STEP 3



### STEP 4



### STEP 5



**STEP 6**

