

Please go to [www.quozel.com](http://www.quozel.com) for product cleaning tips. Go to the **Care + Maintenance** selection.

**Tools Required:** Flathead screwdriver, Phillips screwdriver, pliers, wire cutters, wire strippers, electrical tape, safety glasses.

**Light Source:** (4) A19 Medium Base Bulbs 100W Maximum.

**Estimated Assembly Time:** 30-45 minutes

**Preparation:** Identify and inspect all parts before beginning installation. Check package content list and diagrams below to be sure all parts are present. If any parts are missing or damaged, do not attempt to assemble, install, or operate the fixture. Contact customer service for replacement parts.

**Note: This CONVERTIBLE fixture can be mounted as track light or island light. Refer to respective installation steps for installations.**

### ⚠ Warnings and Cautions

Turn off electricity at circuit breaker or main fuse box before installation. Consult a licensed electrician if in doubt.

These instructions are provided for your safety. It is very important you read them completely before installing the fixture. We strongly recommend that a licensed, professional electrician perform the installation.

Disconnect fixture from power source before replacing bulbs. Make sure bulbs are given sufficient time to cool before removal.

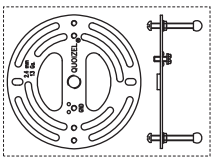
### ⚠ Care of Tiffany Style Shade

A new tiffany lamp shade has an oil film applied to the shade that protects the tiffany shade from scratches during shipment. If the oil applied is too heavy you can remove the excess oil film with a paper towel. Gently wipe away the excess oil.

For general cleaning of tiffany shades use a gentle lemon oil-based furniture polish applied to a soft cloth and wipe gently.

If a white powder appears on the soldered joints of the tiffany shade this is a normal oxidation process. Use a small amount of lemon oil or mineral oil applied directly to oxidized areas and the soldered area will return to like new.

### Package Contents



**A** Crossbar Assembly x 1

**B** Hex Nut x 1

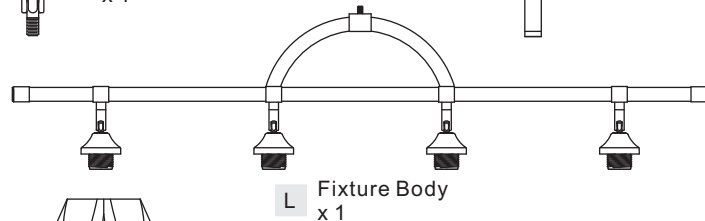
**C** Lock Washer x 1

**D** Flat Washer x 1

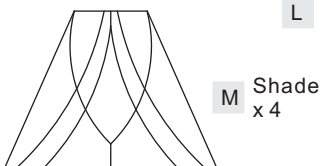
**E** Ceiling Canopy x 1

**F** Swivel x 1

**G** Connector x 1



**L** Fixture Body x 1



**M** Shade x 4

**N** Socket Collar x 4

**H** 6" Rod with Connector x 1

**I** 6" Rod with Nipple x 1

**J** 12" Rod with Nipple x 1

**K** 12" Rod with Connector x 1

### Assembly Instructions for Island Light (Step 1A - Step 7A)

#### STEP 1A – Attach Swivel and Ceiling Canopy together

A. Place Ceiling Canopy (E), Flat Washer (D) and Lock Washer (C) onto the Swivel (F) as shown. Secure with Hex Nut (B) and tighten until snug with screwdrivers.

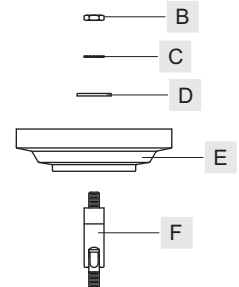


Figure 1A

#### STEP 2A – Assemble Rods and the Ceiling Canopy

A. Determine Rods (H/I/J/K) to be assembled to Fixture Body (L) according to your hanging height.  
B. Pass supply wires and ground wire through the chosen rods (H/I/J/K) and Ceiling Canopy (E). Thread Fixture Body (L), the chosen Rods

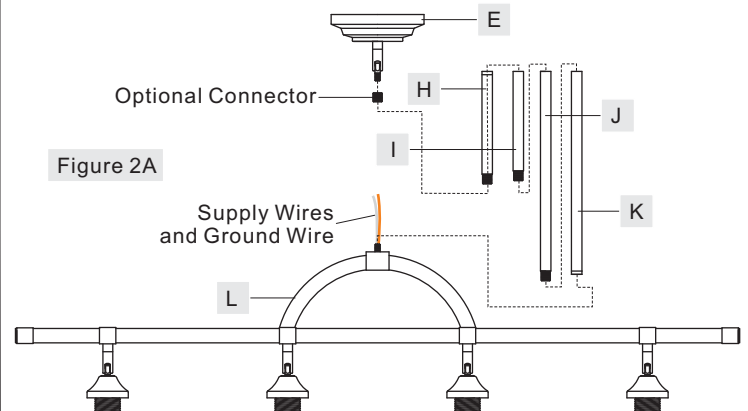


Figure 2A

Thank you for purchasing a Quoizel product.

Need assistance with parts or assembly? Call Quoizel customer service at 1-800-645-3184 or visit us on-line at [www.quozel.com](http://www.quozel.com)

**(Step 2A Continued)**

(H/I/J/K) and the Swivel (F) together. Hand tighten until snug.

Suggested rods for Ceiling height:

- 8' ceiling: use (1) 6" rod (H) and (1) 12" rod (K)
- 9' ceiling: use (1) 6" rod (H) and (2) 12" rods (J/K)
- 10' ceiling: use (2) 6" rods (H/I) and (2) 12" rods (J/K)

**Special Note:** If you would like to use one rod to install the fixture, the optional Connector (G) is required. Only the 6" rod (H) or the 12" rod (K) can be used. Thread the connector end of the rod (H/K) onto the Fixture Body (L). Remove the nipple on another end of the rod (H/K) if there is one. Thread the Optional Connector (G) onto the Swivel (F) and then screw the Optional Connector (G) into the top end of the rod (H/K). Hand tighten until snug.

**STEP 3A – Installing the Crossbar Assembly**

A. Pass the supply wires with ground wire from outlet box through the Crossbar Assembly (A). Attach the Crossbar Assembly (A) to the Outlet Box with the head of the Green Ground Screw facing you. Secure it with Outlet Box Screws (not included). Tighten until snug.

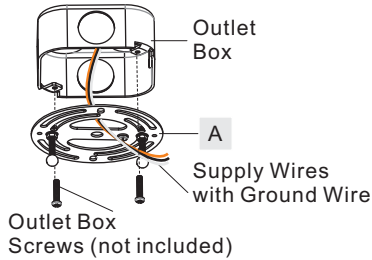


Figure 3A

**STEP 4A – Test Fit the Backplate to the Crossbar Assembly**

A. Remove the mounting balls from the Crossbar Assembly (A). Place the Ceiling Canopy (E) onto the Crossbar Assembly (A) and secure with mounting balls. Note: The Ceiling Canopy (E) should be snug against the ceiling and held tight with the mounting balls. If it is not, adjust the length of the mounting screws on the Crossbar Assembly (A) by unscrewing the preassembled hex nut and lock washer and then screwing the mounting screws in or out of the crossbar until the correct length is achieved. Once the Ceiling Canopy (E) is secure, remove the mounting ball and Ceiling Canopy (E) and proceed to Step 5A.

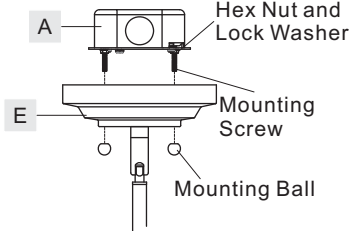


Figure 4A

**STEP 5A - Wire Connections**

A. Use standard wire connectors (not included) to make all wire connections. Twist connectors until wires are tightly joined together. Wrap each connection with approved electrical tape and carefully stuff all the connected wires into the Outlet Box.

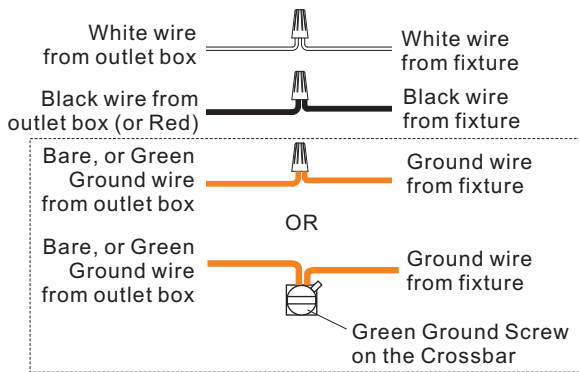


Figure 5A

**STEP 6A – Install Ceiling Canopy**

A. Position the Ceiling Canopy (E) onto the Crossbar Assembly (A). Place the holes in the Ceiling Canopy (E) over the mounting screws. Secure by using the mounting balls and hand tighten the mounting balls until snug.

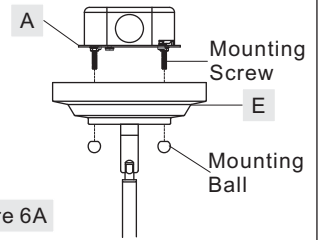


Figure 6A

**STEP 7A - Install Shades and Bulbs**

A. Place the Shade (M) over the Socket and secure with the Socket Collar (N). Hand tighten until snug.  
B. Insert bulbs onto sockets and screw snugly into place.

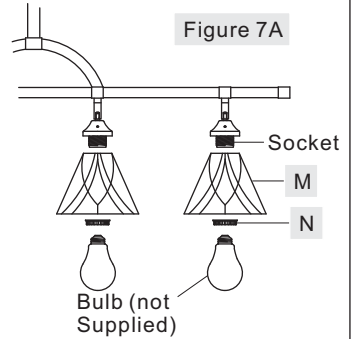
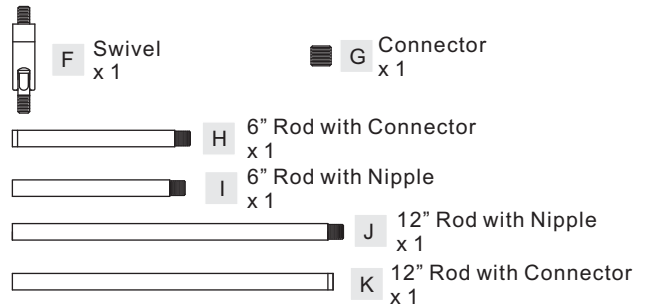


Figure 7A

**Your fixture is now assembled and ready to use. Enjoy!**

**Assembly Instructions for Track Light (Step 1B - Step 6B)**

The following parts will not be used in the assembly of the Track Light fixture. Please set aside these parts.



**STEP 1B – Install Ceiling Canopy to Fixture Body**

A. Pass supply wires with ground wire through Ceiling Canopy (E), Flat Washer (D), Lock Washer (C) and Hex Nut (B). Place the Ceiling Canopy (E), the Flat Washer (D) and the Lock Washer (C) onto the nipple on the top center of the Fixture Body (L). Secure with the Hex Nut (B) and hand tighten until snug. Cut the wires leaving approximately 6" of wire extending from the Ceiling Canopy.  
B. Optional Swivel: Remove the nipple on the top center of the Fixture Body (L). Install the swivel to the Fixture Body (L) and then attach the Ceiling Canopy (E) and the Flat Washer (D) to the swivel. Secure by using the Lock Washer (C) and the Hex Nut (B) as in step A.

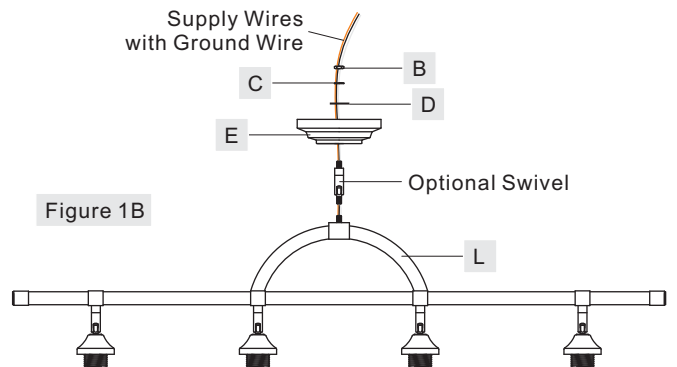


Figure 1B

**Thank you for purchasing a Quoizel product.**  
Need assistance with parts or assembly? Call Quoizel customer service at 1-800-645-3184 or visit us on-line at [www.quoise.com](http://www.quoise.com)

### STEP 2B - Installing the Crossbar Assembly

- A. Pass the supply wires with ground wire from outlet box through the Crossbar Assembly (A). Attach the Crossbar Assembly (A) to the Outlet Box with the head of the Green Ground Screw facing you. Secure it with Outlet Box Screws (not included). Tighten until snug.

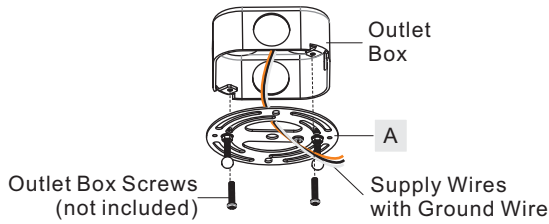


Figure 2B

### STEP 3B - Test Fit the Backplate to the Crossbar Assembly

- A. Remove the mounting balls from the Crossbar Assembly (A). Place the Ceiling Canopy (E) onto the Crossbar Assembly (A) and secure with mounting balls. Note: The Ceiling Canopy (E) should be snug against the ceiling and held tight with the mounting balls. If it is not, adjust the length of the mounting screws on the Crossbar Assembly (A) by unscrewing the preassembled hex nut and lock washer and then screwing the mounting screws in or out of the crossbar until the correct length is achieved. Once the Ceiling Canopy (E) is secure, remove the mounting ball and Ceiling Canopy (E) and proceed to Step 4B.

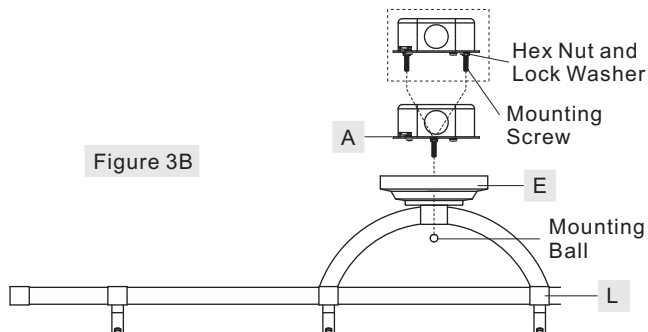


Figure 3B

### STEP 4B - Wire Connections

- A. Use standard wire connectors (not included) to make all wire connections. Twist connectors until wires are tightly joined together. Wrap each connection with approved electrical tape and carefully stuff all the connected wires into the Outlet Box.

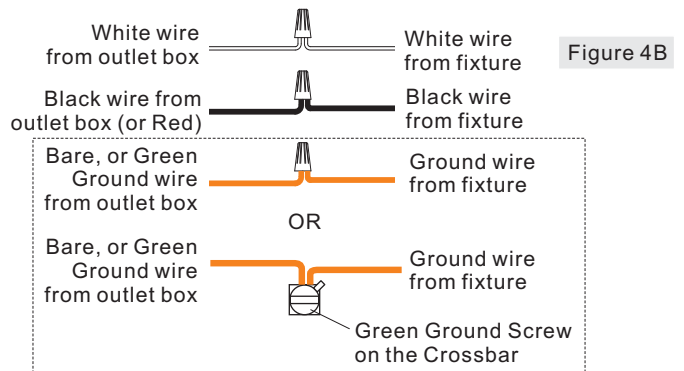


Figure 4B

### STEP 5B - Install Ceiling Canopy

- A. Position the Ceiling Canopy (E) onto the Crossbar Assembly (A). Place the holes in the Ceiling Canopy (E) over the holes in the Crossbar Assembly (A) and secure by using the mounting balls and hand tighten the mounting balls until snug.

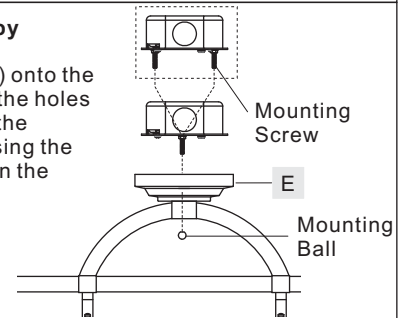


Figure 5B

### STEP 6B - Install Shades and Bulbs

- A. Place the Shade (M) over the Socket and secure with the Socket Collar (N). Hand tighten until snug.  
B. Insert bulbs onto sockets and screw snugly into place.

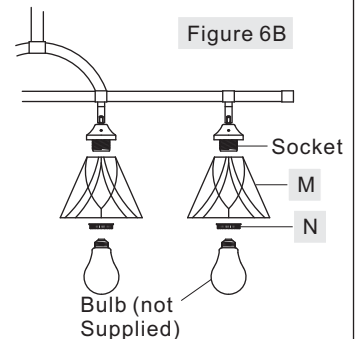


Figure 6B

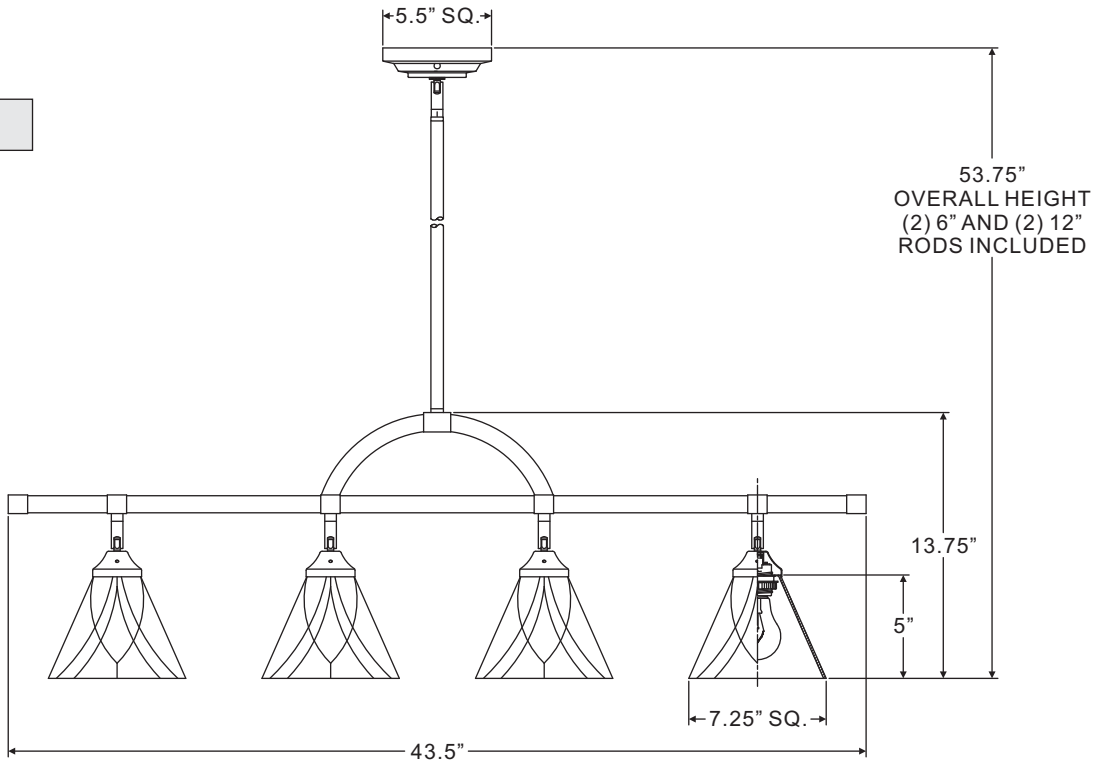
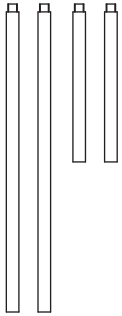
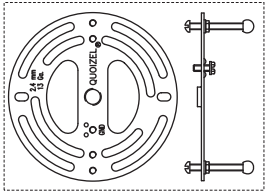
**Your fixture is now assembled and ready to use. Enjoy!**

Thank you for purchasing a Quoizel product.  
Need assistance with parts or assembly? Call Quoizel customer service at 1-800-645-3184  
or visit us on-line at [www.quoise.com](http://www.quoise.com)

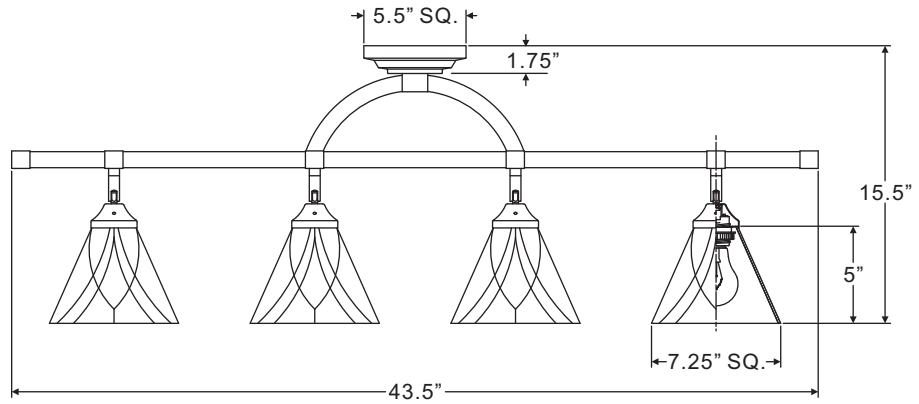
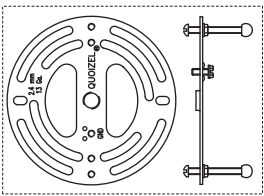
TFAS1404VA

FINISH: VALIANT BRONZE

**ISLAND LIGHT**



**TRACK LIGHT**



NOTE: ALL DIMENSIONS ARE ROUNDED UP TO THE NEAREST 1/4"

Thank you for purchasing a Quoizel product.  
Need assistance with parts or assembly? Call Quoizel customer service at 1-800-645-3184  
or visit us on-line at [www.quoise.com](http://www.quoise.com)