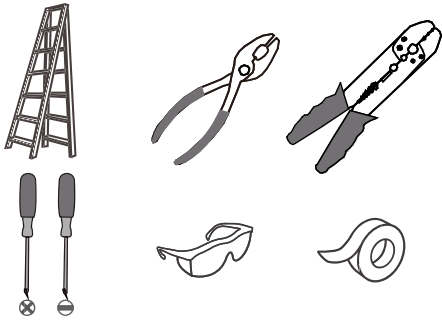
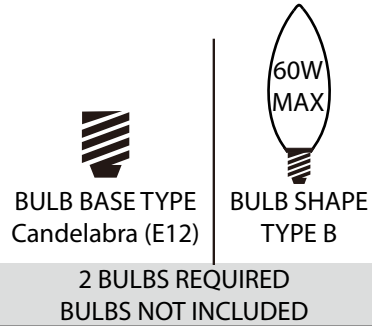


Tools Required



Light Source



⚠ Warnings and Cautions

Turn off the electricity at the circuit breaker before installation. Consult a licensed electrician if in doubt about installation.

Turn off power to the fixture and allow the bulbs to cool before replacing.

Package Contents

Preparation: Identify and inspect all parts before beginning the installation.

Missing or damaged parts? Contact your original place of purchase.

PARTS BAG

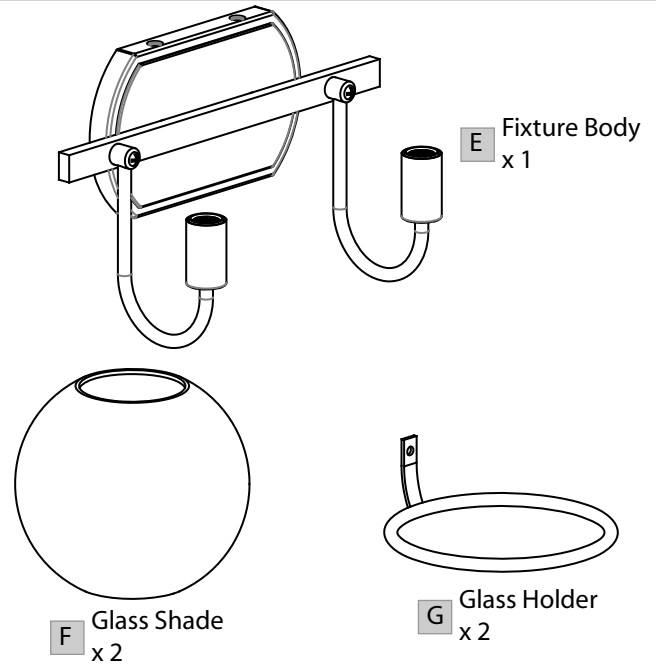
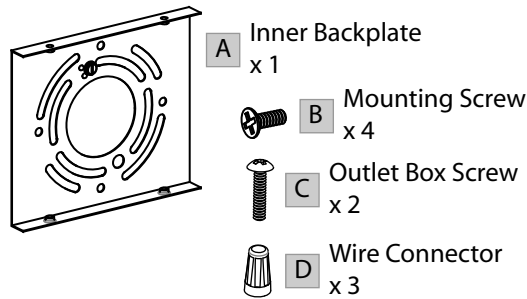
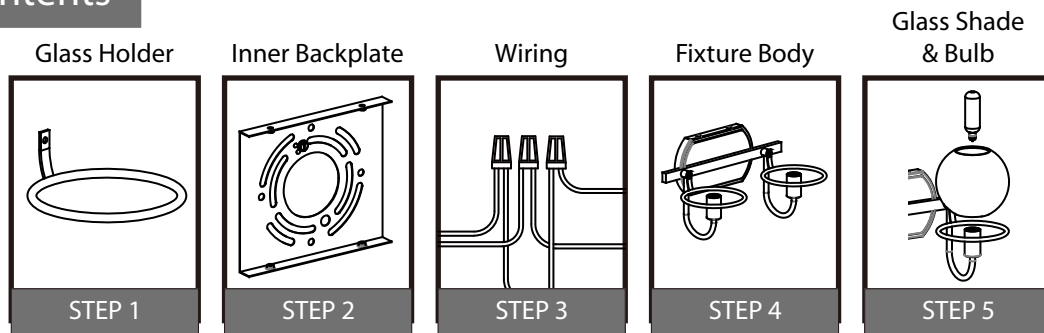
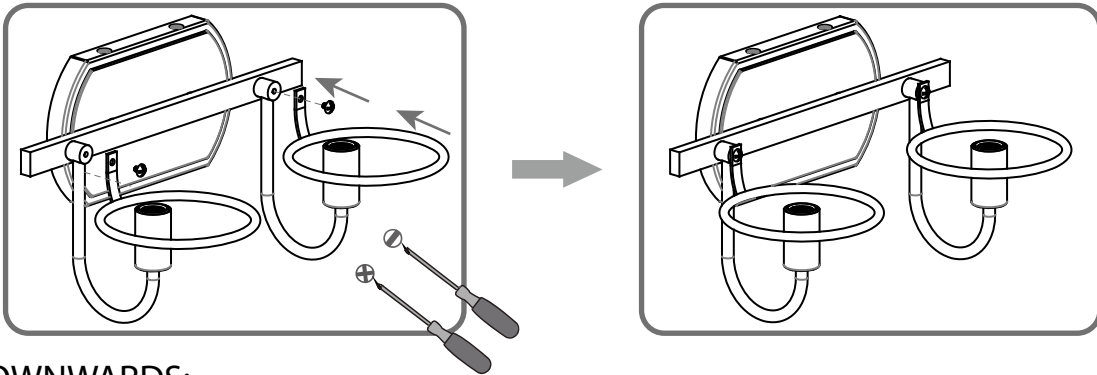


Table of Contents

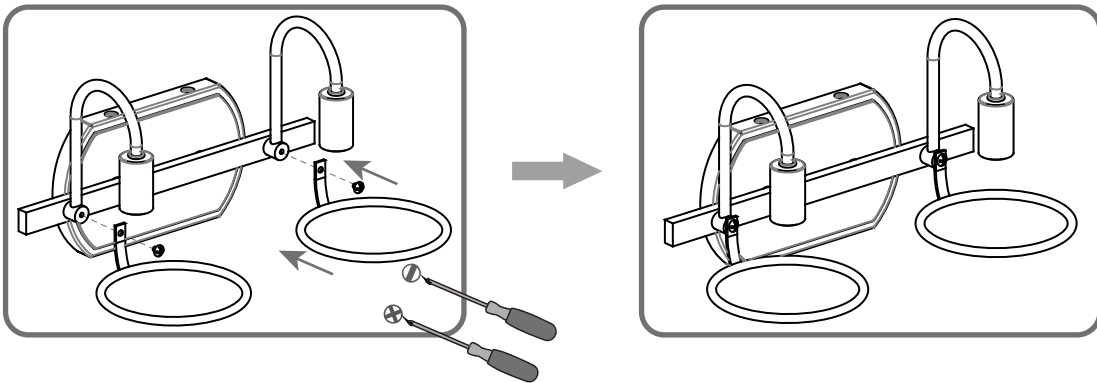


STEP 1

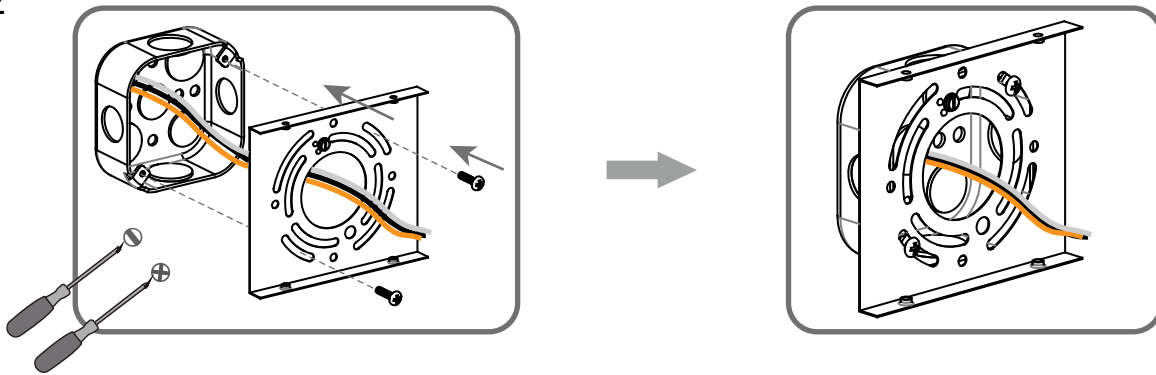
OPTION A - UPWARD:



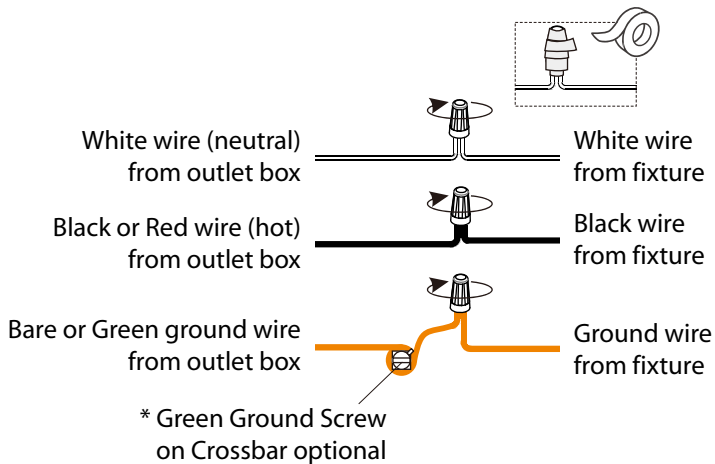
OPTION B - DOWNWARDS:



STEP 2



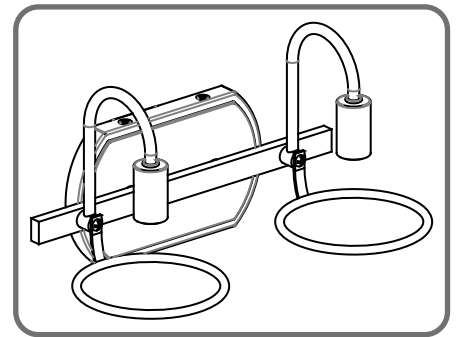
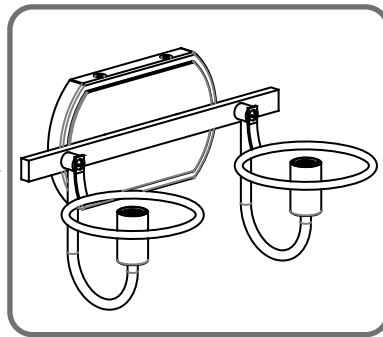
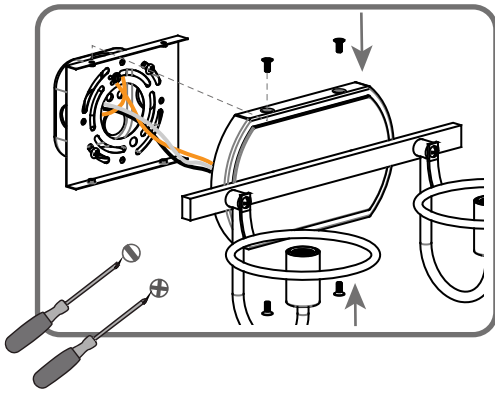
STEP 3



STEP 4

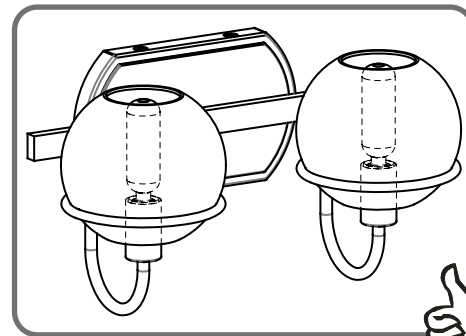
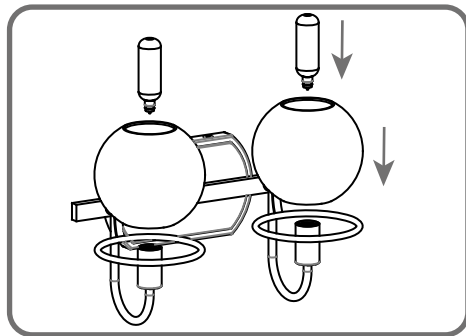
UPWARD

DOWNWARDS



STEP 5

OPTION A - UPWARD:



OPTION B - DOWNWARDS:

1

Step 1 - step 2: Install glass shade

2

3

Install bulb

