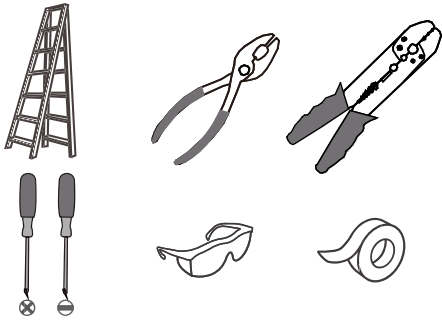
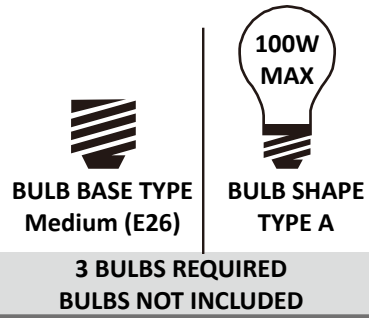


**Tools Required**



**Light Source**



**Warnings and Cautions**

Turn off the electricity at the circuit breaker before installation. Consult a licensed electrician if in doubt about installation.

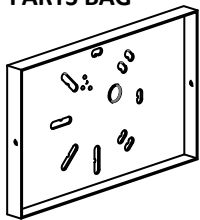
Turn off power to the fixture and allow the bulbs to cool before replacing.

**Package Contents**

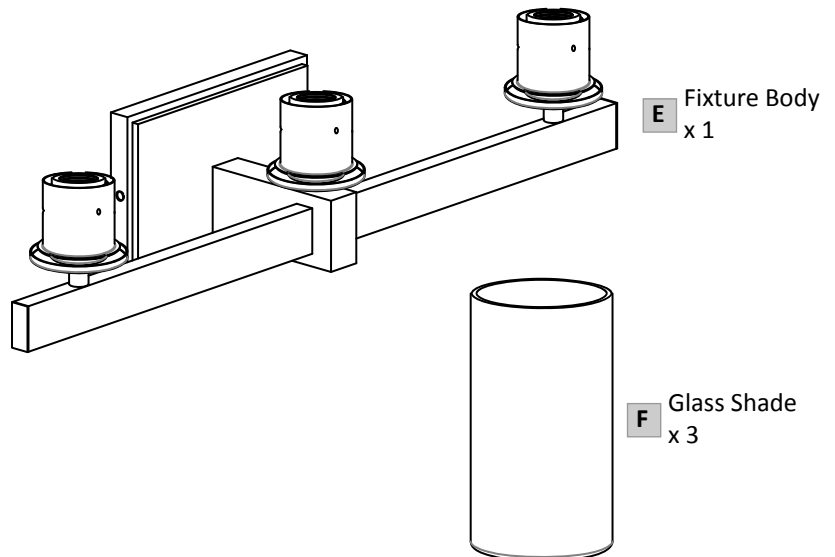
**Preparation:** Identify and inspect all parts before beginning the installation.

**Missing or damaged parts?** Contact your original place of purchase.

**PARTS BAG**

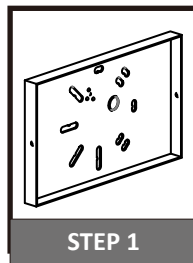


- A** Inner Backplate x 1
- B** Mounting Screw x 2
- C** Outlet Box Screw x 2
- D** Wire Connector x 3

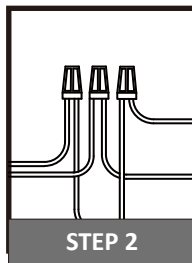


**Table of Contents**

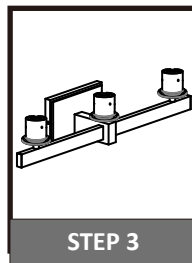
**Inner Backplate**



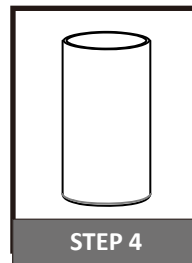
**Wiring**



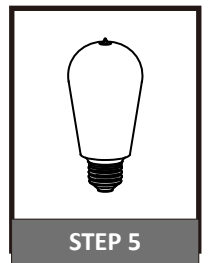
**Fixture Body**



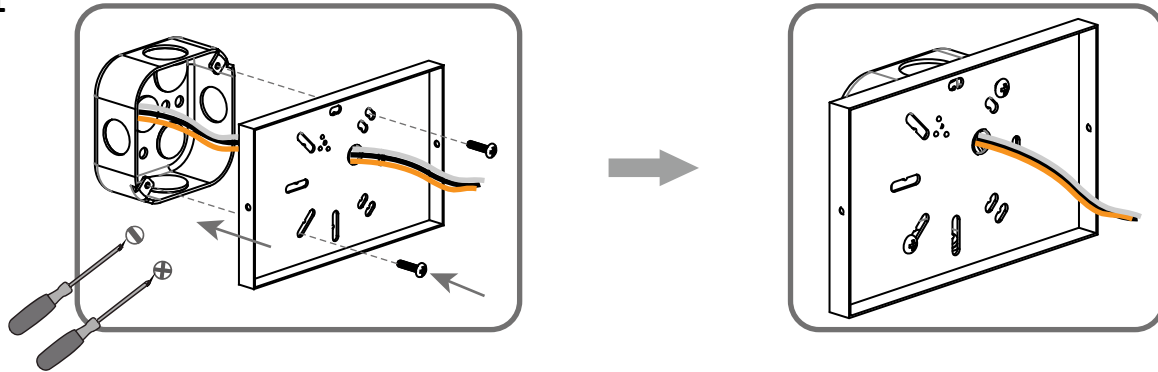
**Glass Shade**



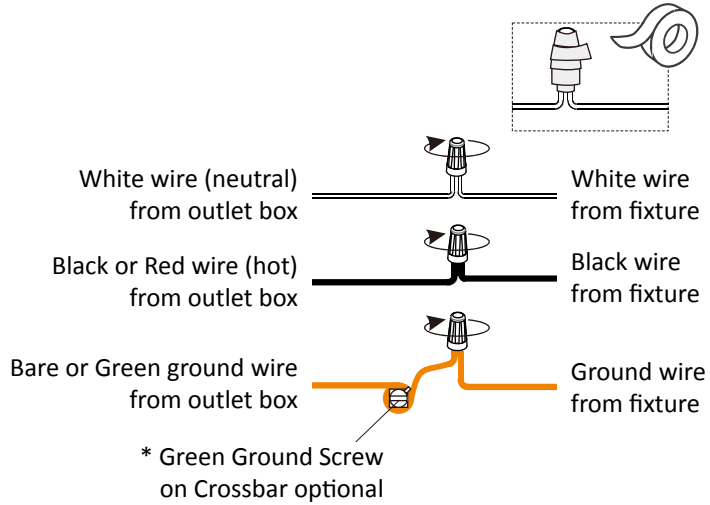
**Bulb**



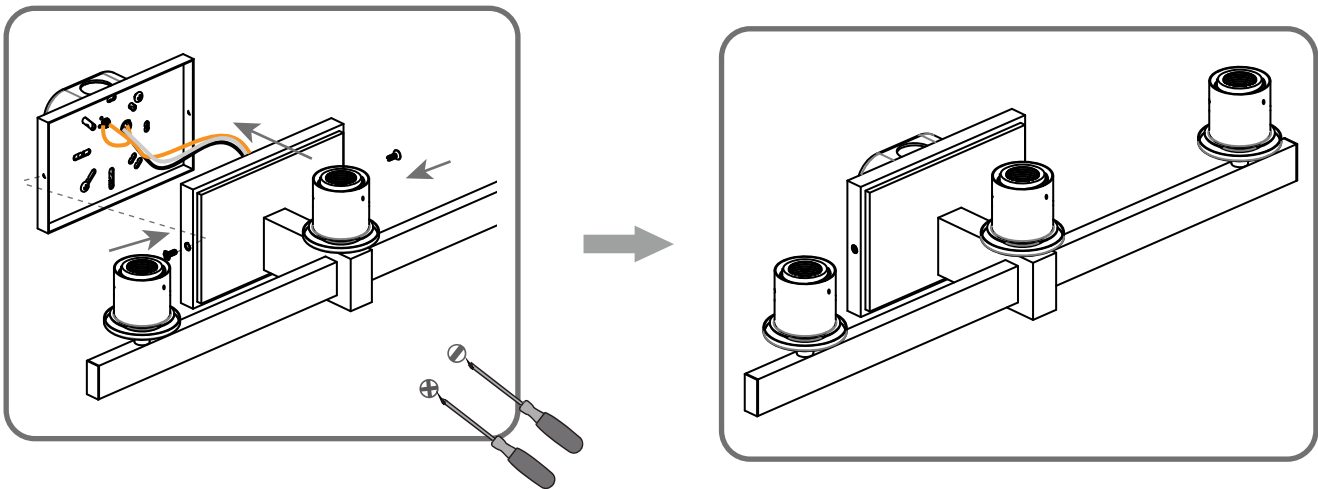
### STEP 1



### STEP 2



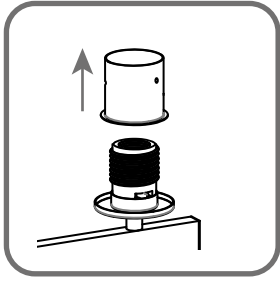
### STEP 3



## STEP 4

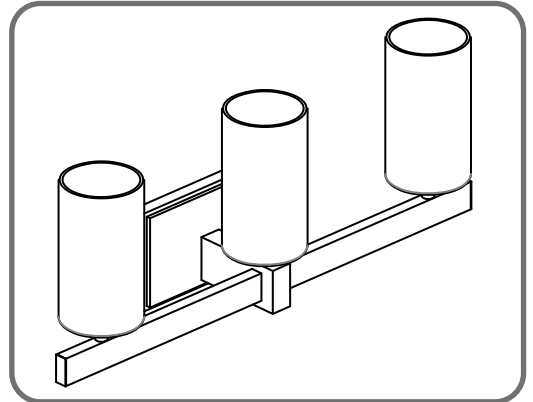
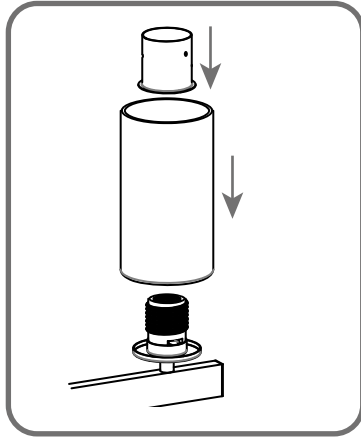
1

Remove socket collar



2

Install glass shade



## STEP 5

