

Please go to www.quoizel.com for product cleaning tips. Go to the **Care + Maintenance** selection.

Tools Required: Flathead screwdriver, Phillips screwdriver, pliers, wire cutters, wire strippers, electrical tape, safety glasses.

Light Source: (5) A19 Medium Base Bulbs 100W Maximum, Medium Base T10 Vintage Bulbs are recommended, bulbs not included.

Fixture Hanging Height: Minimum Hanging Height is 13.5", Maximum Hanging Height is 103.5".

Estimated Assembly Time: 30-45 minutes

Preparation: Identify and inspect all parts before beginning installation. Check package content list and diagrams below to be sure all parts are present. If any parts are missing or damaged, do not attempt to assemble, install, or operate the fixture. Missing Parts? Contact your original place of purchase.

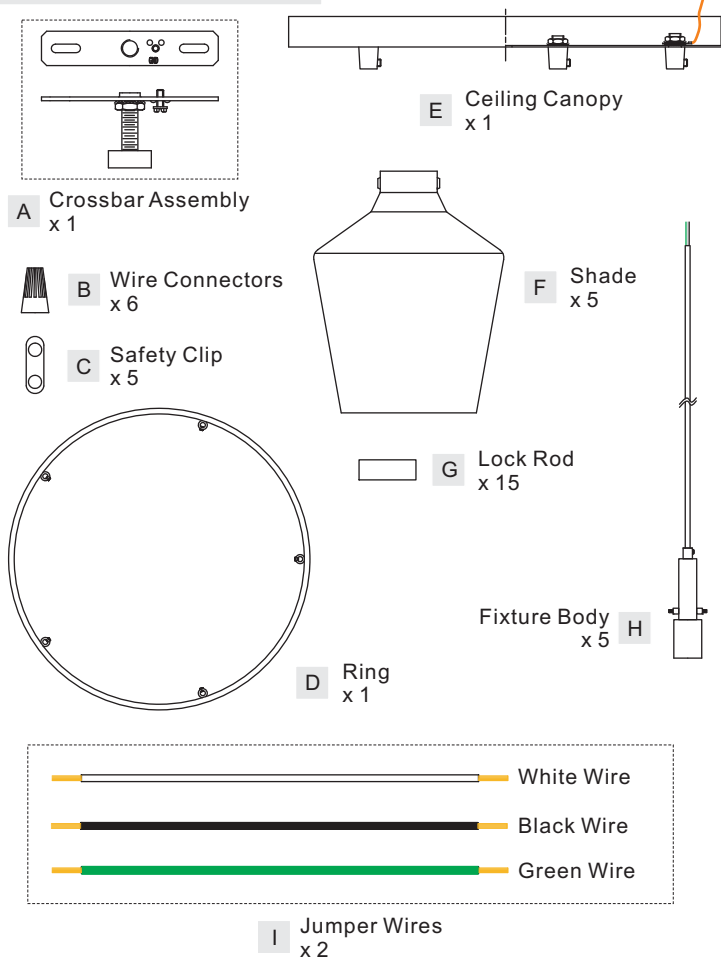
⚠ Warnings and Cautions

Turn off electricity at circuit breaker or main fuse box before installation. Consult a licensed electrician if in doubt.

These instructions are provided for your safety. It is very important you read them completely before installing the fixture. We strongly recommend that a licensed, professional electrician perform the installation.

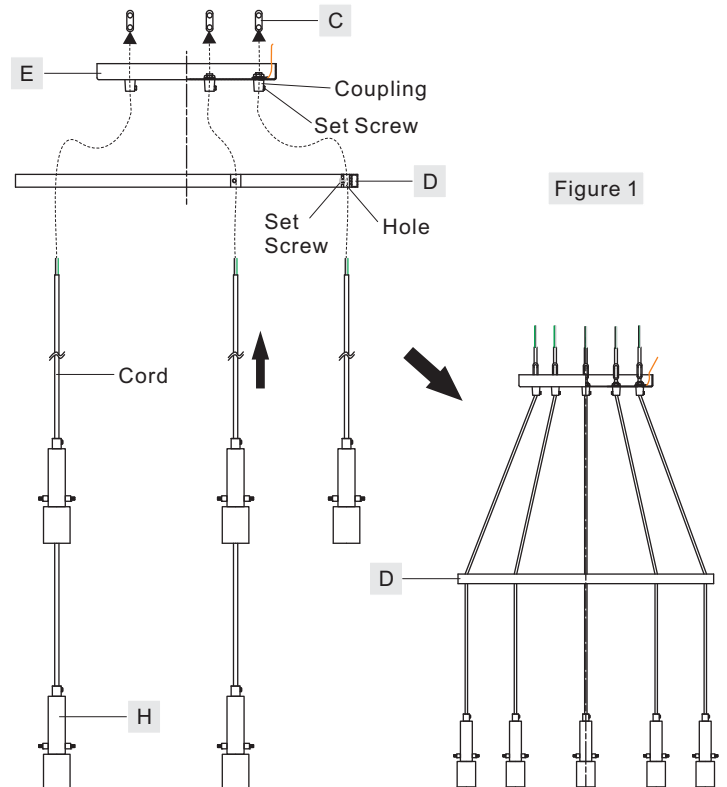
Disconnect fixture from power source before replacing bulbs. Make sure bulbs are given sufficient time to cool before removal.

Package Contents



STEP 1 - Install Fixture Bodies to Ceiling Canopy

- Loosen set screws located on the couplings that are mounted to the underside of the Ceiling Canopy (E). Do not remove set screws completely.
- Thread pendant cord through holes on the Ring (D) before threading cord through the coupling mounted to the underside of the Ceiling Canopy (E). Adjust cord to the desired length then tighten set screw to hold pendant length in place.
- Install Safety Clips (C) onto the pendant cords by threading the cord through one hole then back through the second. Slide Safety Clips (C) to approximate 2" from canopy.
- Repeat these steps for all pendants.
- Level the Ring (D) and tighten set screws on the side of holes to cords slightly.
- After the ceiling canopy is installed to the junction box, a final adjustment can be made to get the pendants to hang at the desired height by loosening the set screws on the coupling slightly then re-tighten when the pendants are adjusted to the desired height.

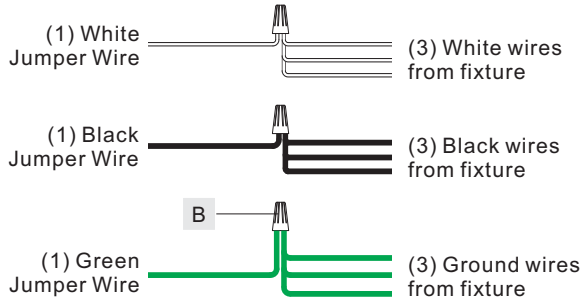


Please measure the height you want to hang the pendant prior to hanging so you know what length to cut the wire. You can add 6" to that length to help adjust the shades up or down once it's hung. Please note, all the extra wire will not fit inside the small canopy and junction box, the wire needs to be cut at the desired length to fit inside the canopy and junction box to then help adjust to the exact height.

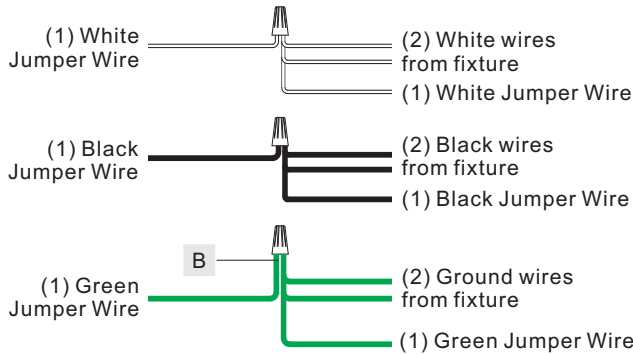
IMPORTANT: Install the cord into the ceiling canopy before cutting it to length.

STEP 2 - Connections Fixture Wires to Jumper Wires

- A. Strip back the clear wire covering on the 3 pendant cords to expose the black, white and green wire. Leave at least approximately 3" of cord length inside of the ceiling canopy. Strip each end of 3 fixture wires.
- B. Use supplied wire connectors (B) to connect fixture wires to Jumper Wires (I). Twist connectors until wires are tightly joined together. Wrap each connection with approved electrical tape.
- C. There are two sets up jumpers that have to be wired to the pendant wires. The first set of jumpers will use the wires from 3 pendants. The second set of jumpers will use the remaining wires from 2 pendants. Follow the illustrations below for correct wiring.



WIRING FOR 3 SETS OF WIRES



WIRING FOR 2 SETS OF WIRES

Figure 2

STEP 3 - Install the Crossbar Assembly to Outlet Box and Adjust the length of the Nipple

- A. Attach the Crossbar Assembly (A) to the Outlet Box with the head of the Green Ground Screw facing you. Secure it with Outlet Box Screws (not included), tighten until snug.
- B. Remove mounting ball from the Crossbar Assembly (A). Adjust the hex nut and lock washer underside of the crossbar to the middle of the nipple.
- C. Place the Ceiling Canopy (E) over the nipple against the ceiling to determine the correct position of the nipple. Thread the mounting

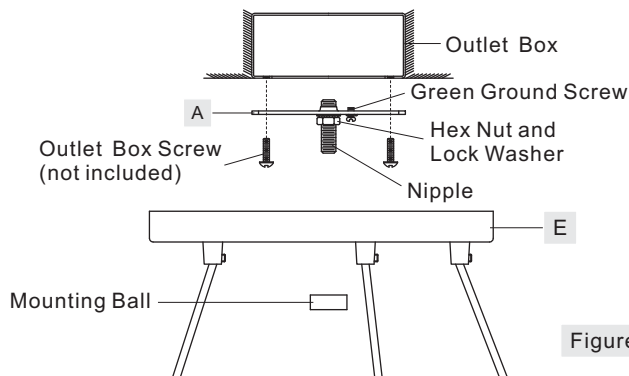


Figure 3

(Step 3 Continued)

- ball back onto the nipple. Adjust the nipple to allow the Ceiling Canopy (E) to rest against the ceiling when held in place by the mounting ball.
- D. Remove the mounting ball and the Ceiling Canopy (E). Tighten the lock washer and the hex nut against the crossbar to secure in place.

STEP 4 - Wire Connections

- A. Wrap bare or green ground wire around green ground screw on the crossbar, no less than 2 inches from the end of the wire. Tighten the green ground screw.
- B. Use standard wire connectors (not included) to make all wire connections. Twist connectors until wires are tightly joined together. Wrap each connection with approved electrical tape and carefully stuff all the connected wires into the Outlet Box.

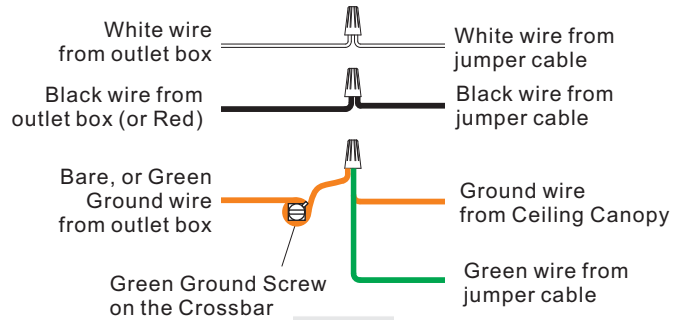


Figure 4

STEP 5 - Install Ceiling Canopy

- A. Carefully tuck all wires into the outlet box and position the Ceiling Canopy (E) over the outlet box. Attach the Ceiling Canopy (E) over the nipple and secure with the mounting ball. Hand tighten until snug.

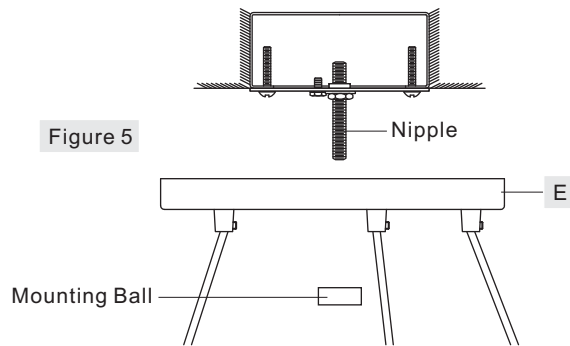


Figure 5

STEP 6 - Install Shades and Bulbs

- A. Place the Shade (F) over the socket and align holes on the side of the Shade (F) to bolts on the side of the Fixture Body (H). Place Lock Rods (G) through holes on the side of the Shade (F) and thread them onto bolts. Hand tighten until snug.
- B. Insert bulbs onto sockets and screw snugly into place.

Your fixture is now assembled and ready to use. Enjoy!

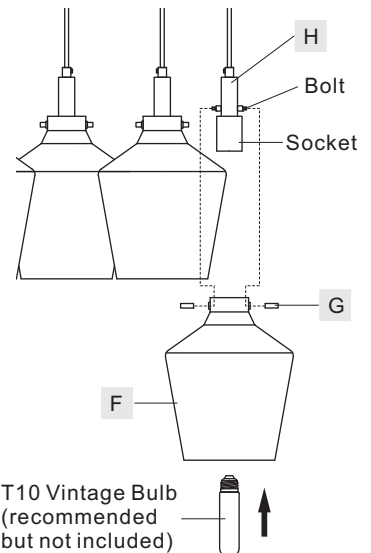


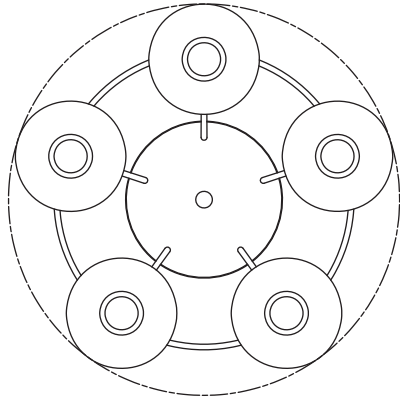
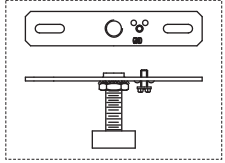
Figure 6

T10 Vintage Bulb (recommended but not included)

JUN5005EK

FINISH: EARTH BLACK

NOTE: ALL DIMENSIONS ARE ROUNDED UP TO THE NEAREST 1/4"



BOTTOM VIEW

