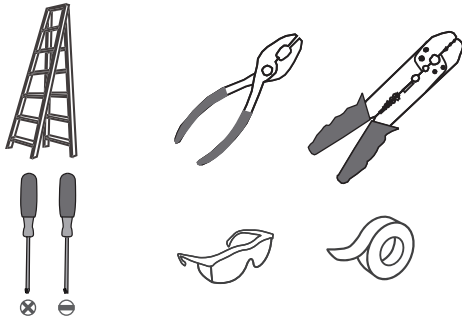
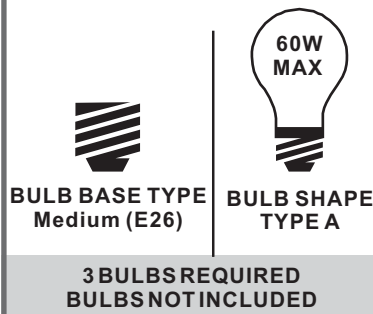


Tools Required



Light Source



**Fixture Height Adjustable
17" to 109"**

Warnings and Cautions

Turn off the electricity at the circuit breaker before installation. Consult a licensed electrician if in doubt about installation.

Turn off power to the fixture and allow the bulbs to cool before replacing.

Package Contents

Preparation: Identify and inspect all parts before beginning the installation.

Missing or damaged parts? Contact your original place of purchase.

PARTS BAG

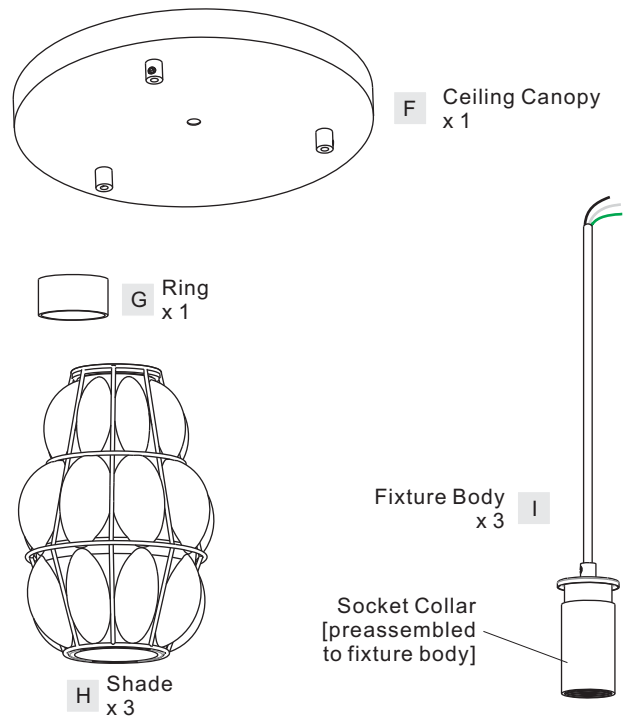
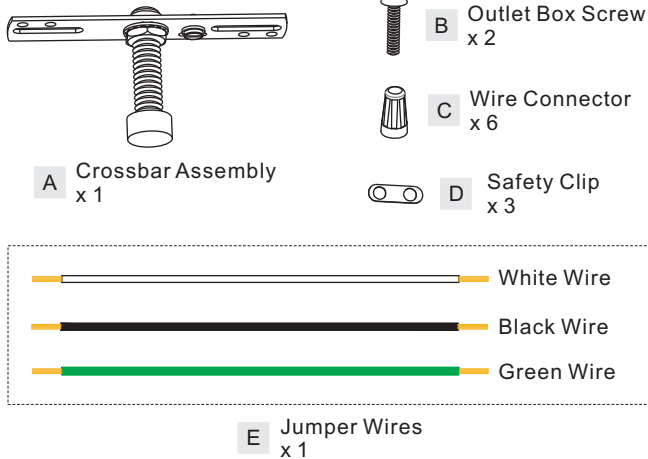
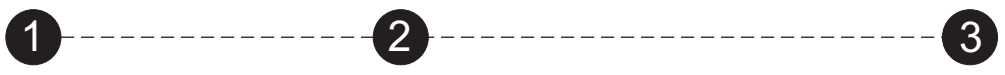


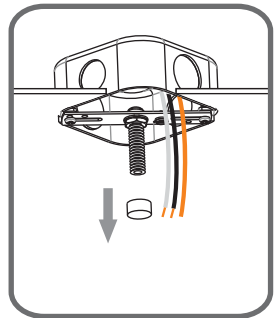
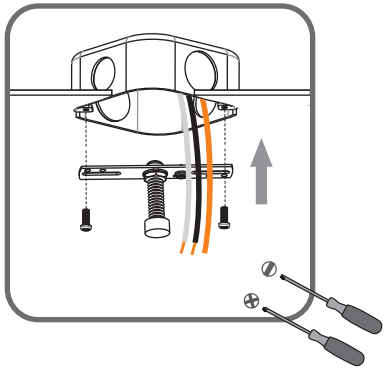
Table of Contents

Crossbar Assembly	Fixture Body	Jumper Wiring	Wiring	Ceiling Canopy	Shade & Bulb
STEP 1	STEP 2	STEP 3	STEP 4	STEP 5	STEP 6

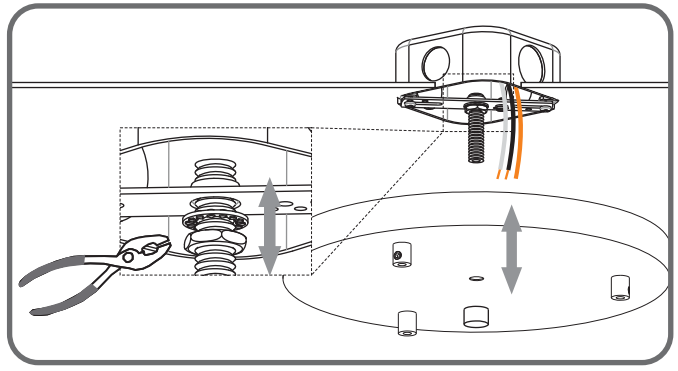
STEP 1



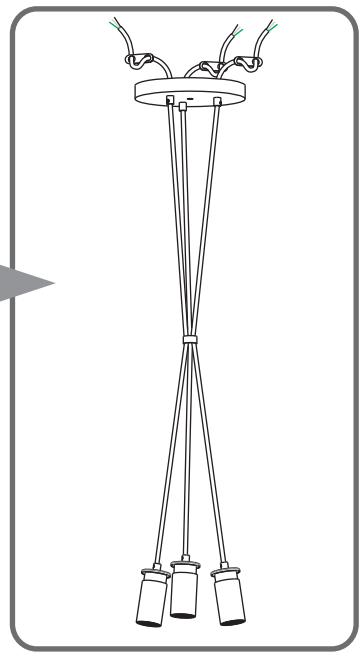
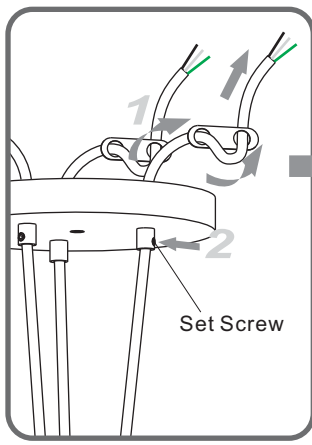
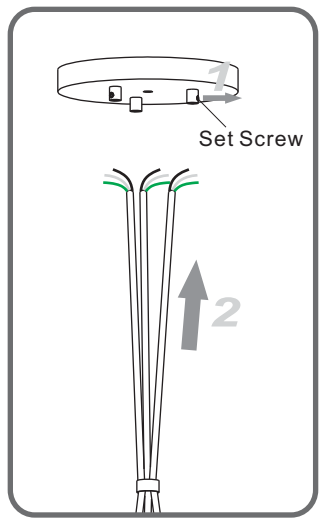
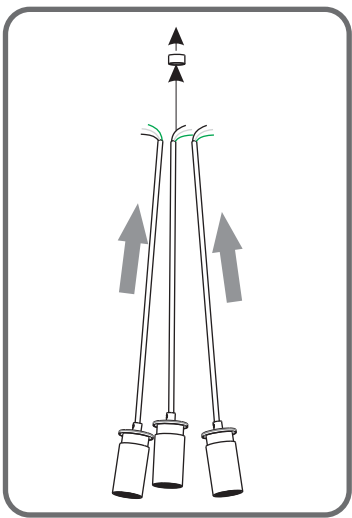
Step 1
Install crossbar assembly



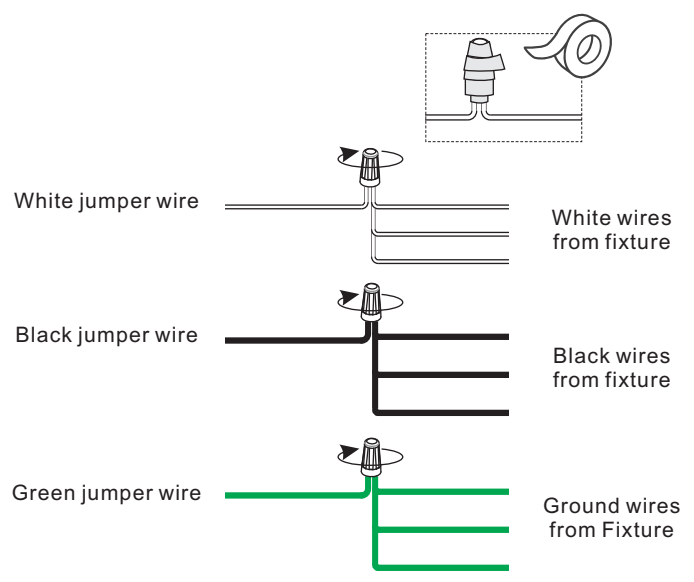
Step 2 - 3
Test fitting ceiling canopy to nipple



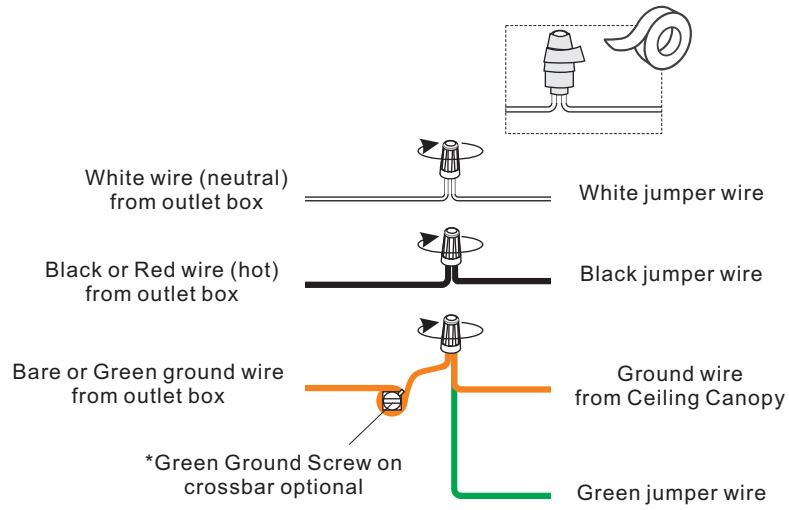
STEP 2



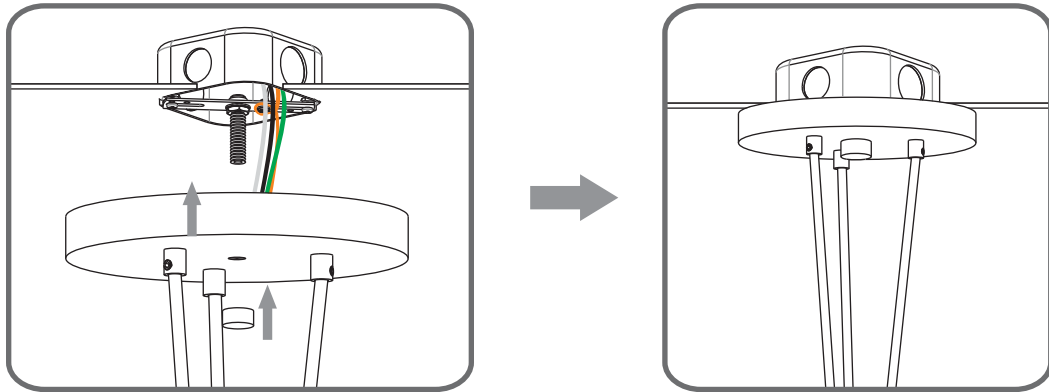
STEP 3



STEP 4



STEP 5



STEP 6

