

## SAFETY INFORMATION

Please read and understand this entire manual before attempting to assemble, install or operate the product.

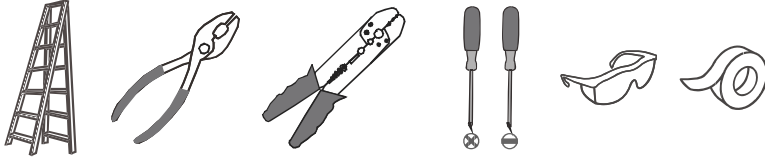
### WARNING

- RISK OF ELECTRIC SHOCK - Before beginning installation, turn off electricity at the circuit breaker box or the main fuse box.
- RISK OF FIRE - Use bulbs specified by the markings and/or labels on the fixture.

### CAUTION

- For your safety, read instructions completely before beginning installation.
- If in doubt about electrical installation, consult a licensed electrician.
- Turn off electricity to fixture before replacing the bulb(s).

### TOOLS REQUIRED

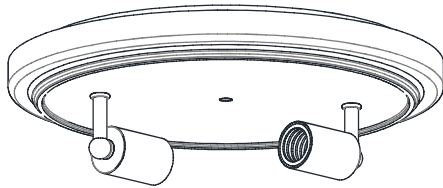


## CARE AND MAINTENANCE

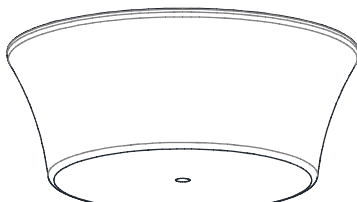
- Wipe clean using soft, dry cloth or static duster. Always avoid using harsh chemicals and abrasives to clean fixture as they may damage the finish.

If you need further assistance call Quozel Customer Care at 1-800-645-3184 (9:00am - 5:00pm EST), or visit us on-line at [www.quoise.com](http://www.quoise.com).

## PACKAGE CONTENTS



**A** Ceiling Canopy  
x 1



**B** Glass Shade  
x 1



**C** Flat Washer  
x 2



**D** Lock Washer  
x 1



**E** Hex Coupling  
x 1



**F** Stem with Hex Nut  
x 1



**G** Rubber Washer  
x 1



**H** Hex Nut  
x 1

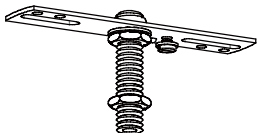


**I** Cap  
x 1

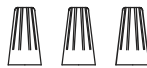


**J** Finial  
x 1

## MOUNTING HARDWARE



**AA** Crossbar Assembly  
x 1



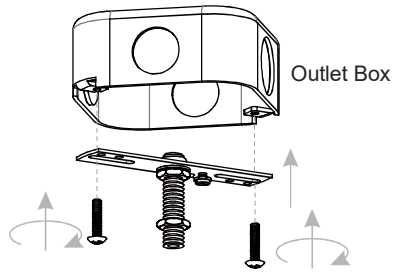
**BB** Wire Connector  
x 3



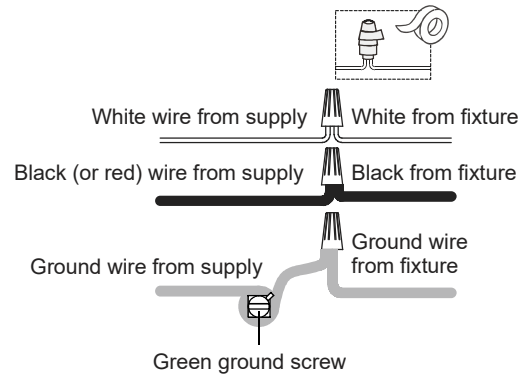
**CC** Outlet Box Screw  
x 2

# INSTALLATION

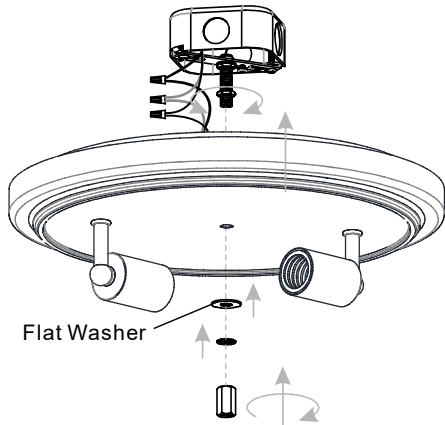
## 1 Install Crossbar Assembly



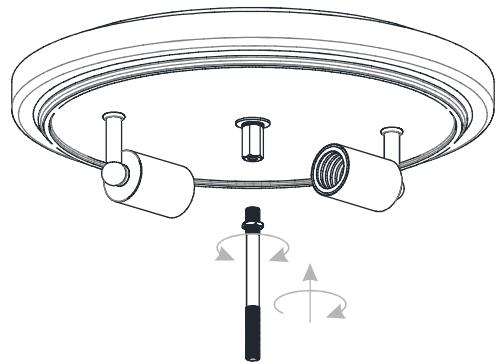
## 2 Wiring



## 3 Install Ceiling Canopy



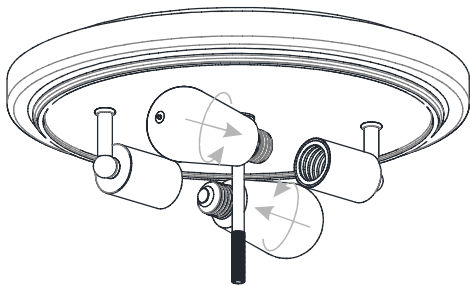
## 4 Install Stem with Hex Nut



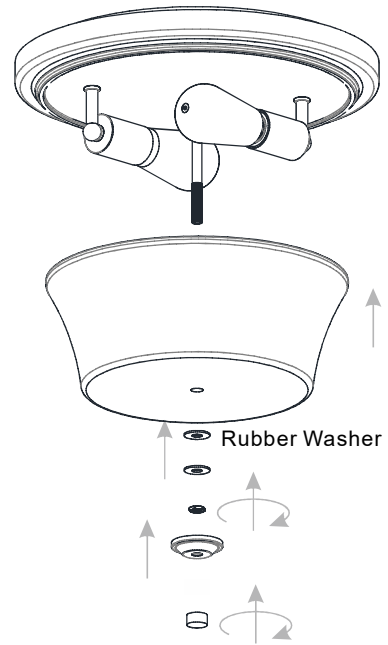
## 5 Install Bulb

Install two correct bulbs referring to fixture markings and/or labels for maximum wattage.

**Recommended Bulb Type (not included):**



## 6 Install Glass Shade and Cap



Your installation is now complete! Restore electricity and save this sheet for future reference.