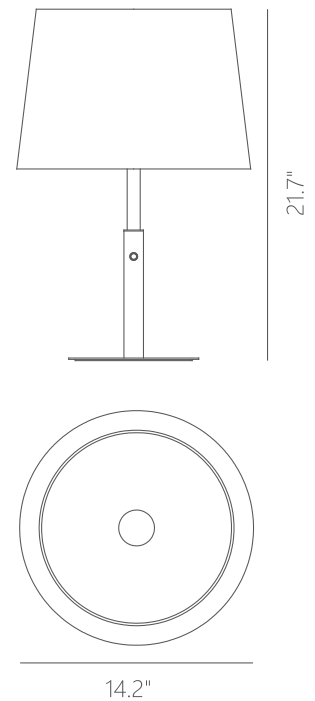


PROJECT			
DATE		TYPE	



PT040014-DT/CW



BAMBI

Materials:
Aluminum, Fabric

Color Temp.:
3000K

Lamp Shade:
CW - Cream White

CRI (Ra):
≥90

Finish:
DT - Deep Taupe

LED Rated Life:
≈50,000 Hours

	PT040014
Wattage:	14W
Voltage:	100~240V
Total Lumens:	1050
Delivered Lumens:	316

