

# ADORA HUGGER Ceiling Fan

## 3-111-xx



FIXTURE TYPE \_\_\_\_\_ LOCATION \_\_\_\_\_

PROJECT \_\_\_\_\_ DATE \_\_\_\_\_



-6 White with Optional LED Light kit



-6 White



-15 Black



With optional light kit



With optional light kit



-24 Satin Nickel



With optional light kit

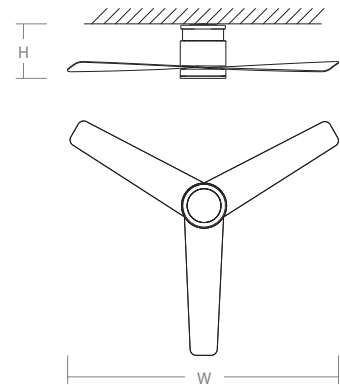
**SPECIFICATIONS** 3 ABS Blades / 52" Blade Sweep / 20° Blade-Pitch  
 153x18 Motor  
 3 Speeds - Reversible with manual reverse switch;  
 0.39A on high / 0.25A on low  
 48W on high / 19W on low  
 128 rpm on high / 76 rpm on low  
 Wall Control (Included)  
 Remote Control 3-8-1000-0 (Optional - Not Included)

**INPUT VOLTAGE** 120V - AC Motor

**ENERGY SPECIFICATIONS** Airflow: 4268 CFM  
 Electric Energy Consumption: 49 W (Excludes Lights)  
 Airflow efficiency: 87 CFM/W  
 Note: Measured at high speed

**FINISHES** White (-6), Black (-15), Satin Nickel (-24)

**STANDARDS** cUL Wet listed



**DIMENSIONS**  
 Blade Sweep: 52.00"  
 Ht.: 9.42"  
 Ceiling to blades: 7.43"

### OPTIONAL LIGHT INFORMATION

**LIGHT KIT NUMBER** 3-9-110-xx  
**LUMEN OUTPUT** Delivered: 254 lm (LM-79)  
**LIGHT SOURCE** LED Light kit 18W, 3000K, 90CRI  
 Dimmable LED with matte white glass diffuser



ENERGYGUIDE	
Estimated Yearly Energy Cost <b>\$10</b>	Airflow <b>3,882</b> Cubic Feet Per Minute
Cost Range of Similar Models (19 - 84) \$3       \$34	• The higher the airflow, the more air the fan will move • Airflow Efficiency: 112 Cubic Feet Per Minute Per Watt
• Based on 12 cents per kWh and 6.4 hours use per day • Your cost depends on rates and use • Energy Use: 30 Watts	ftc.gov/energy