

In-Wall Dehumidifier 2x4 Wall Mounting Bezel Kit

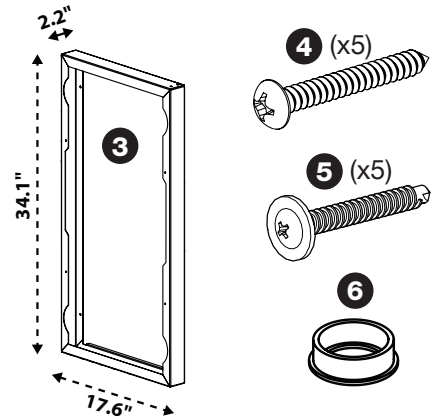
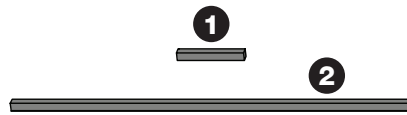
Part No. 4037767

Parts Included:

1. Foam Tape - 4" Long (x6)
2. Foam Tape - 24" Long (x2)
3. Wall Bezel
4. Screw A - Wood Screws (x5)
5. Screw B - Sheet Metal Screws (x5)
6. Plastic Grommet / Drain Hose Bushing - May not be needed

Tools Required:

- Drill / Screwdriver
- Drywall Saw
- Bit Extender (optional)



⚠ CAUTION!

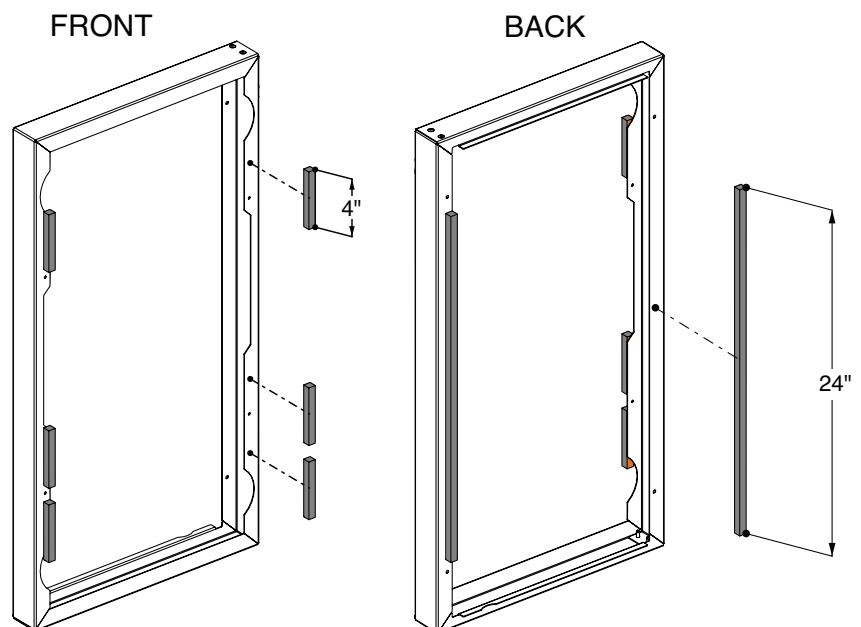
TURN OFF BREAKER BEFORE INSTALLATION.

Step 1. Install Foam Tape to Bezel Kit

Identify the front side of the bezel kit by locating the semi-circular cutouts along the inside edge.

Install 4" foam tape to the front as shown. Do not cover holes for fastening.

Install 24" foam tape to the back as shown. Do not cover holes for fastening.

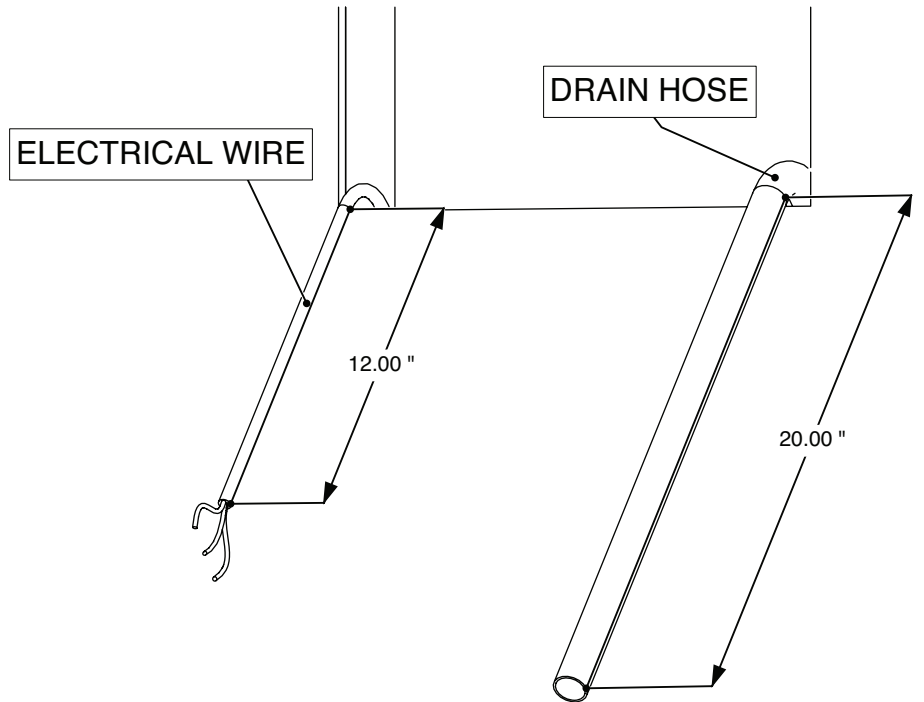


CONTINUED



Step 2. Prepare Wall for Install

Cut a hole in the drywall 14.5" wide (stud to stud) and 32.75" tall. Route electrical wiring and drain hose from inside of the wall and hang outside of the hole. A minimum of 12" of electrical wiring and 20" of drain hose is recommended.

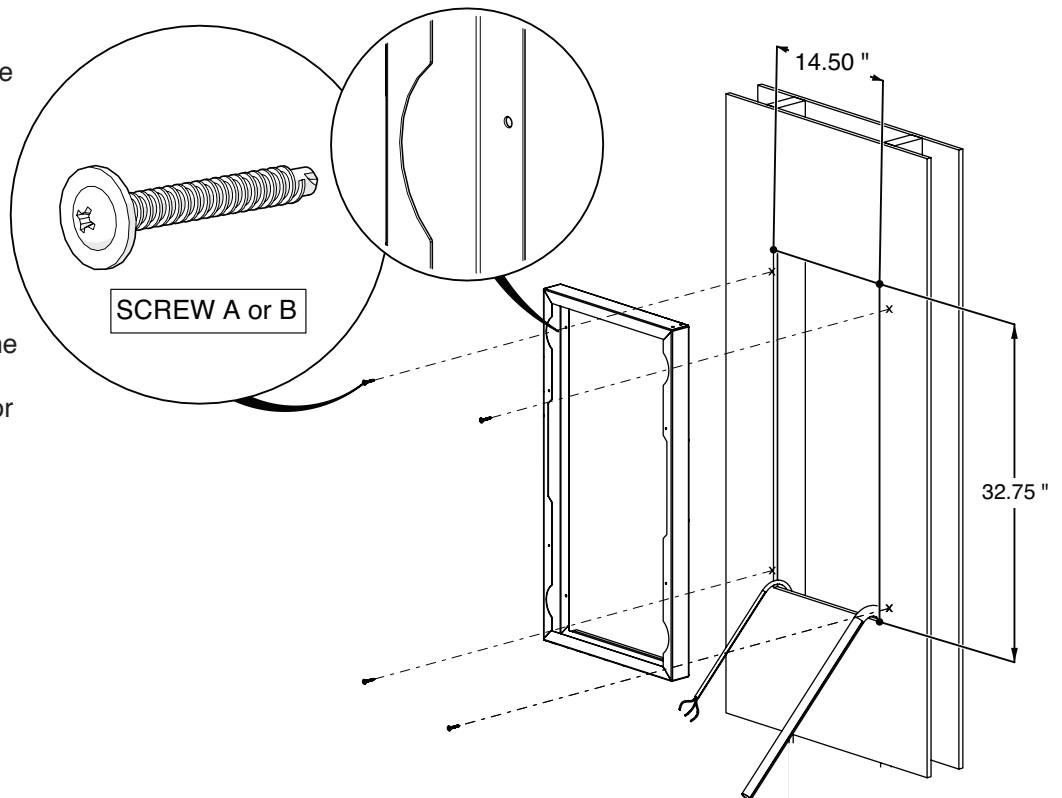


Step 3. Mount Bezel to Wall

Pull electrical wiring and drain hose through the bezel opening.

Place bezel flanges inside of the hole in the wall so that the bezel back surface rests flat against the wall. Make sure bezel is level.

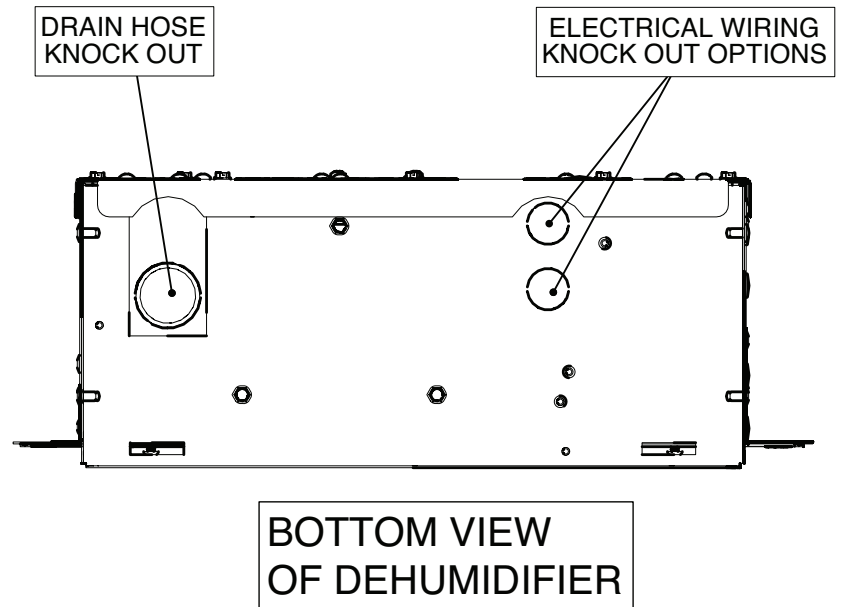
Locate the four holes on the bezel and fasten to the wall with the appropriate screws based on the stud type. Screw A can be used for wood studs and Screw B for metal studs. Using a bit extension is recommended.



CONTINUED

Step 4. Prepare In-Wall Dehumidifier for Bezel Installation

Punch the appropriate knock out holes for the drain hose and electrical wiring on the dehumidifier.

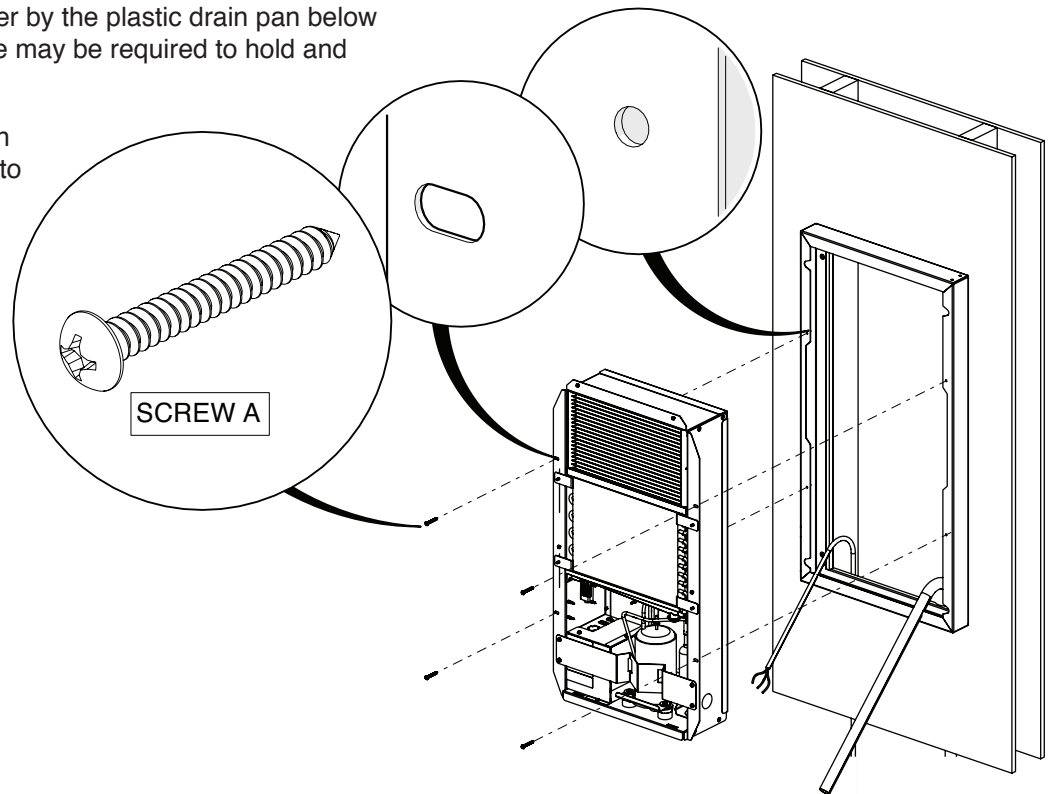


Step 5. Install In-Wall Dehumidifier to Bezel

Lift and support the dehumidifier by the plastic drain pan below the evaporator coil. Two people may be required to hold and fasten the unit in place.

Locate the four slotted holes on the dehumidifier. Use Screw A to fasten the unit to the bezel through the slotted holes.

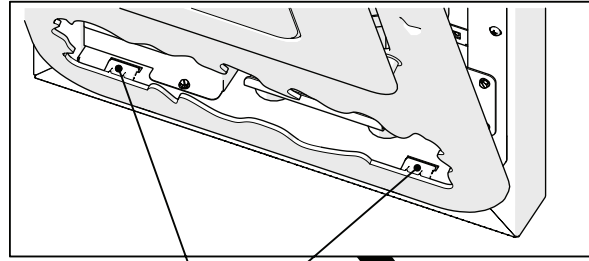
Connect the electrical wiring and route and connect the drain hose to the drain pan.



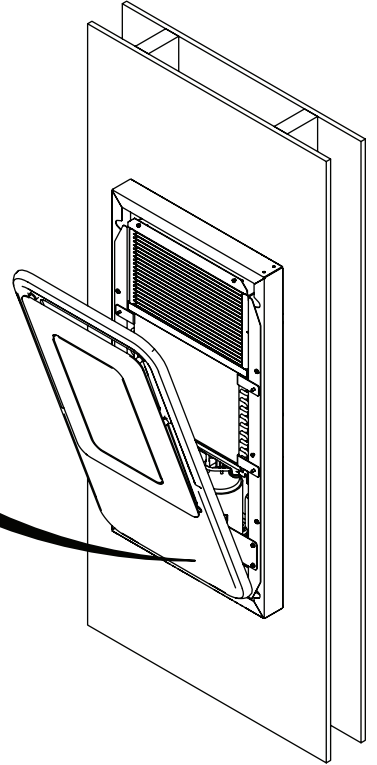
CONTINUED
→

Step 6. Install Diffuser Cover

Place the hooks of the front diffuser cover into the slots at the base of the dehumidifier before fastening.



SECURE BOTH
HOOKING LOCATIONS



Locate the four holes on the diffuser cover and fasten to the dehumidifier using either Screw C (Tamper Resistant) or Screw D (Phillips Head) included with the unit. Using the tamper resistant screws requires the 1/4" Hex T-15 Torx Security Bit included with the unit.

