

Type
Project
Catalog No.
Lamp/Wattage

NTH-930 (Line Voltage Track)
Architectural Cylinder with baffle
 Lamp: 75W BR/PAR30

PRODUCT DESCRIPTION

Constructed of die cast and extruded aluminum the Architectural Cylinder is minimal in design. A die cast baffle ring shields aperture brightness. The fixture is excellent for LED PAR lamps.

FEATURES

- Die cast aluminum provides superior strength and rigidity.
- Baffle eliminates glare and adds finished touch.
- One or two circuit track capable.

CONSTRUCTION

Housing

Extruded Aluminum construction with simple, cylindrical design. All edges are sharp and clean.

Structural Arm

Extruded 0.055" aluminum arm connects fixture housing to electrical contact head. Internal tightening mechanism maintains desired lamp aiming angles. Structural arm also functions as wire way, completely concealing lead wire from socket to contact head.

Baffle

0.085" die cast aluminum baffle, provides finished appearance and assists in eliminating glare from housing interior.

ELECTRICAL SYSTEM

Adaptor

Heavy duty double locking adaptor for commercial applications

Socket

Porcelain jacketed aluminum screw thread medium-base socket

Lamp

75W BR/PAR30 (not included).

One/Two Circuit Conversion

Positive contact (opposite neutral and ground contacts) is preset to "down" position at factory but may be raised to the higher position to install onto the second circuit of Nora Lighting NT- 2300 series two-circuit track.

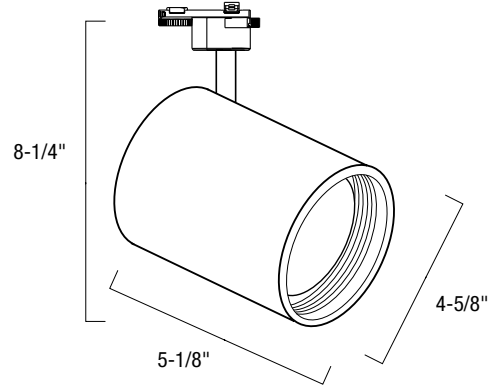
FINISHES

Black and White powder coated finishes available, contact warehouse for custom finishes.

LABELS AND LISTINGS

UL Listed.

DIMENSIONS



Diameter: 4-5/8"
 Length : 5-1/8"
 Max. Extension: 8-1/4"



Flatback Cylinder with black baffle.

Catalog No.	Min. - Max Wattage	Finishes
NTH-930	75W	B = Black W = White

Create a complete track head number: Example: NTH-930B