

NTH-131

BR/PAR38 Roundback Cylinder with Black Baffle

Source: 150W BR40/PAR38 max.

Type

Project

Catalog No.

Notes

PRODUCT DESCRIPTION

Line voltage cylindrical housing with round back design and black baffle. Includes a yoke that provides full adjustment of light source for special aiming and has dual tightening knobs assure secure lock on angle position.

FEATURES

- Die cast aluminum provides superior strength and rigidity
- Black baffle eliminates glare and adds finished touch
- One or two circuit track capable.
- Accepts LED lamps

CONSTRUCTION

Housing: 0.030" Deep drawn steel construction with simple, yet decorative design. All edges are softened for aesthetic appearance

Baffle: 0.085" Black finished phenolic high heat rated plastic baffle, provides finished appearance and assists in eliminating glare from housing interior

Yoke: 0.085" Rigid steel "wishbone" yoke connects fixture housing to electrical contact head. Dual plastic angle tightening knobs maintain clean, decorative appearance of the fixture and provides secure angle position

ELECTRICAL

Voltage: 120V input

Socket: Medium base

Lamp:

100W PAR38 maximum (not included)

150W R/BR40 maximum (not included)

FINISH

Available in black and white finishes.

ONE/TWO CIRCUIT CONVERSION

Positive contact (opposite neutral and ground contacts) is preset to "down" position at factory but may be raised to the higher position to install onto the second circuit of Nora Lighting NT- 2300 series two-circuit track.

ACCESSORIES

NT-340: Black Barn Door

NT-343: Black Louver (requires NT-340 or NT-346)

NT-346: Black Accessory Holder

LABELS AND LISTINGS

UL Listed



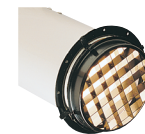
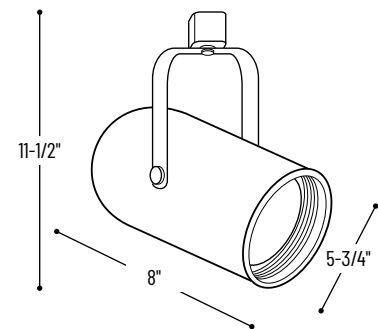
PRODUCT IMAGES AND DIMENSIONS



NTH-131B
Black Roundback Cylinder
with Black Baffle



NTH-131W
White Roundback Cylinder
with Black Baffle



NT-343
Black Louver
(shown with NT-346)



NT-346
Black Accessory Holder



NT-340
Black Barn Door

BR/PAR38 Roundback Cylinder with Black Baffle

Catalog No.	Finish	Adapter
NTH-131	B = Black	(blank) = H-style
	W = White	/J = J-style
		/L = L-style

Optional Accessories

Description
NT-340 = Black Barn Door
NT-343 = Black Louver (requires NT-340 or NT-346)
NT-346 = Black Accessory Holder

Example: **NTH-131** = BR/PAR38 Roundback Cylinder with Black Baffle, Black, H-Style