

NTE-8803

Dipper LED Track Head

Source: 15W or 30W LED
1000lm or 2300lm

Type _____

Project _____

Catalog No. _____

Notes _____

PRODUCT DESCRIPTION

The Dipper provides an even wash of light using energy efficient LEDs. The indirect reflective design eliminates diode image for excellent visual comfort.

FEATURES

- Can be used as an indirect luminaire or wall wash
- Available in two lengths (8" or 12")
- 3000K, 3500K or 4000K @ 90 CRI
- Available in black, silver and white finishes
- One or two circuit track capable
- 5-year limited warranty

SPECIFICATION

Construction: Die-cast aluminum body with indirect linear LED strip reflecting off a polished aluminum reflector providing excellent asymmetric wall washing.

Mounting: Track mounted with double locking adapters. The adapter safely holds fixture in track while allowing 355° rotation and 135° vertical adjustment.

ELECTRICAL

Input Voltage: 120V

Lumens / Wattage: 1000lm / 15W or 2300lm / 30W

Color Temperature: 3000K, 3500K (special order) or 4000K

CRI: 90+

Dimming: Triac or ELV

Check complete dimmer list at www.NoraLighting.com in the "Compatibility" page under "Resources" tab

One/Two Circuit Conversion: Positive contact (opposite neutral and ground contacts) is preset to "down" position at factory but may be raised to the higher position to install onto the second circuit of Nora Lighting NT-2300 series two-circuit track.

Finishes: Black, white and silver finishes are available; contact warehouse for custom finishes.

ACCESSORIES

NT-380: Round Monopoint Canopy for Track Heads with Double Locking Adapter

LISTING

- cULus Listed for dry locations
- ENERGY STAR certified
- 5-Year Limited Warranty



PRODUCT IMAGE

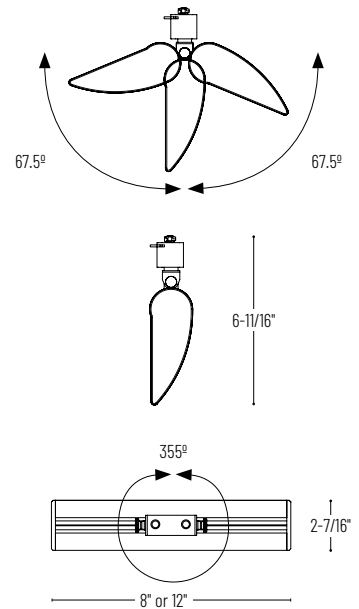


NTE-880315
8" Dipper



NTE-880330
12" Dipper

PRODUCT DIMENSIONS



Dipper LED Track Head

Series	Length / Lumens / Wattage	Color Temperature	Finish
NTE-8803	15 = 8" / 1000lm / 15W 30 = 12" / 2300lm / 30W	30 = 3000K	B = Black
		35 = 3500K (3500K in Silver is special order)	S = Silver
		40 = 4000K	W = White

Optional Accessories

Description	Finish
NT-380 = Round Monopoint	B = Black W = White

Example: **NTE-88033030B** = 12" Dipper LED Track Head, 2300lm / 30W, 3000K, Black finish

PHOTOMETRICS

Dipper LED Track Head

Type _____

Project _____

Catalog No. _____

Notes _____

Test Information

Test Number: 12460074.01
 Part Number: NTE-88031530
 Lumens: 941lm
 Wattage: 14.4W
 Efficacy: 65lpw
 CCT / CRI: 3000K / 90 CRI
 Spacing Criteria (0°-180°): 2.82
 Spacing Criteria (90°-270°): 1.1

Multiple unit data (footcandles)

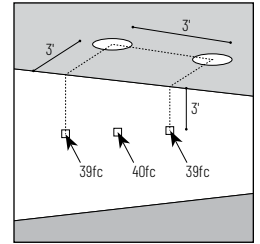
Distance from ceiling (ft.)	2' from wall 2' on center		
1'	20	18	20
2'	87	90	87
3'	56	60	56
4'	32	34	32
5'	19	20	19
6'	11	12	11
7'	7	7	7
8'	5	5	5
9'	3	3	3
10'	2	2	2

Multiple unit data (footcandles)

Distance from ceiling (ft.)	2' from wall 3' on center		
1'	18	13	18
2'	74	68	74
3'	47	49	47
4'	27	29	27
5'	16	18	16
6'	10	11	10
7'	6	7	6
8'	4	4	4
9'	3	3	3
10'	2	2	2

Multiple unit data (footcandles)

Distance from ceiling (ft.)	3' from wall 3' on center		
1'	0	1	0
2'	33	31	33
3'	39	40	39
4'	30	31	30
5'	21	22	21
6'	14	15	14
7'	10	10	10
8'	7	7	7
9'	5	5	5
10'	4	4	4



Example: Two luminaires located 3' from wall and spaced 3' on center, the illumination on the wall 3' down from ceiling will be 39fc beneath and 40fc between luminaires.

Test Information

Test Number: 12460074.02
 Part Number: NTE-88033030
 Lumens: 1942lm
 Wattage: 27.9W
 Efficacy: 70lpw
 CCT / CRI: 3000K / 90 CRI
 Spacing Criteria (0°-180°): 2.92
 Spacing Criteria (90°-270°): 1.2

Multiple unit data (footcandles)

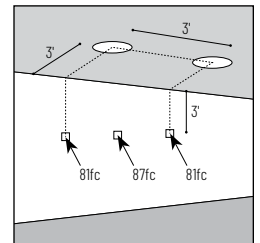
Distance from ceiling (ft.)	2' from wall 2' on center		
1'	49	53	49
2'	183	196	183
3'	120	130	120
4'	65	70	65
5'	35	37	35
6'	19	20	19
7'	12	12	12
8'	7	8	7
9'	5	5	5
10'	3	3	3

Multiple unit data (footcandles)

Distance from ceiling (ft.)	2' from wall 3' on center		
1'	44	40	44
2'	154	144	154
3'	100	104	100
4'	55	60	55
5'	30	33	30
6'	17	19	17
7'	11	11	11
8'	7	7	7
9'	5	5	5
10'	3	2	3

Multiple unit data (footcandles)

Distance from ceiling (ft.)	3' from wall 3' on center		
1'	1	2	1
2'	73	74	73
3'	81	87	81
4'	63	68	63
5'	44	48	44
6'	29	31	29
7'	19	20	19
8'	13	13	13
9'	9	9	9
10'	6	6	6



Example: Two luminaires located 3' from wall and spaced 3' on center, the illumination on the wall 3' down from ceiling will be 81fc beneath and 87fc between luminaires.