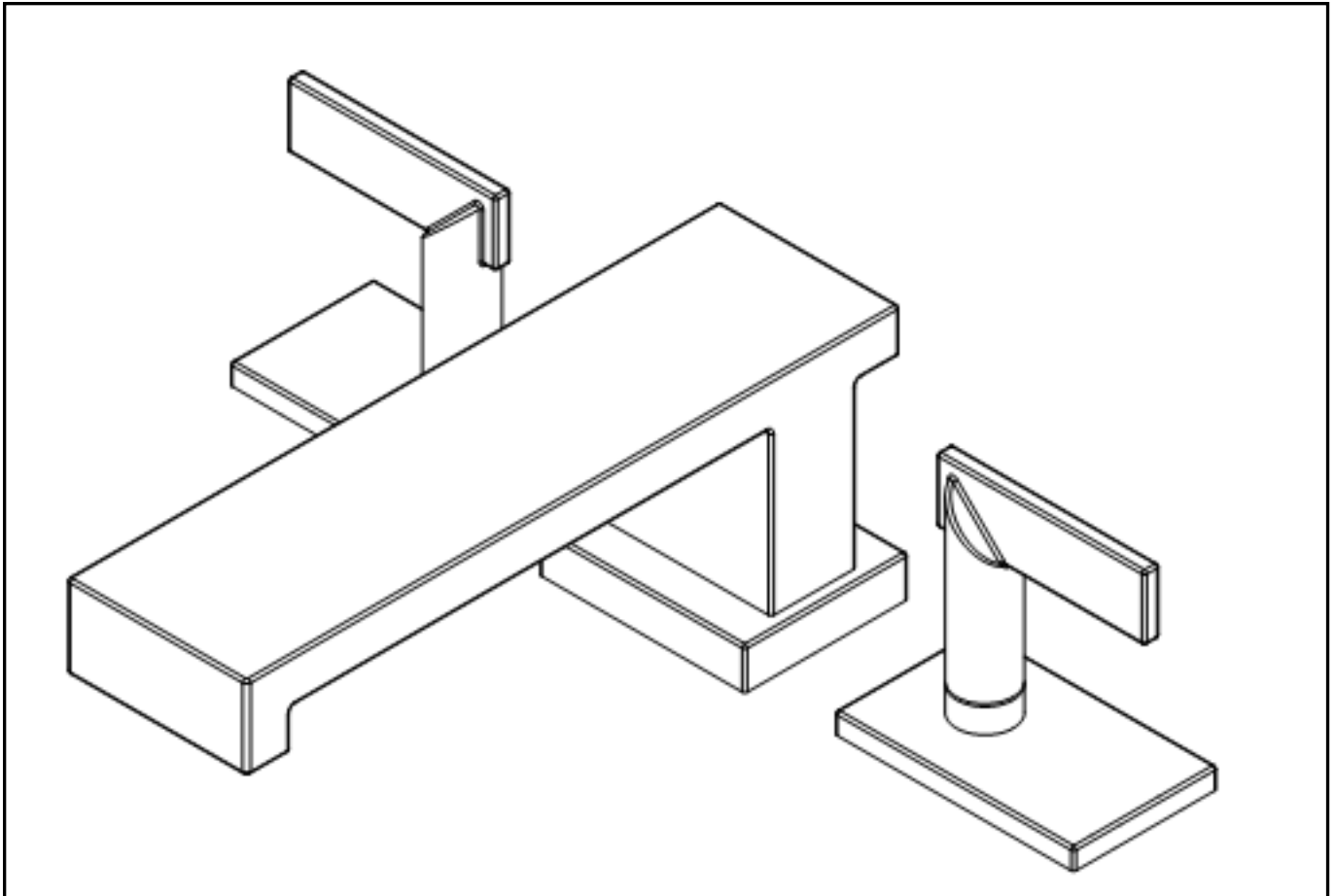


# INSTALLATION INSTRUCTIONS ROMAN TUB 2 VALVE AND TRIM

Valve Model No's: 1-653  
Trim Kit for Model No's: 3-2546



**NEWPORT BRASS**  
Flawless Beauty. From Faucet to Finish.™

2001 CARNEGIE AVE, SANTA ANA CA 92705

(949) 417-5207

[WWW.NEWPORTBRASS.COM](http://WWW.NEWPORTBRASS.COM)

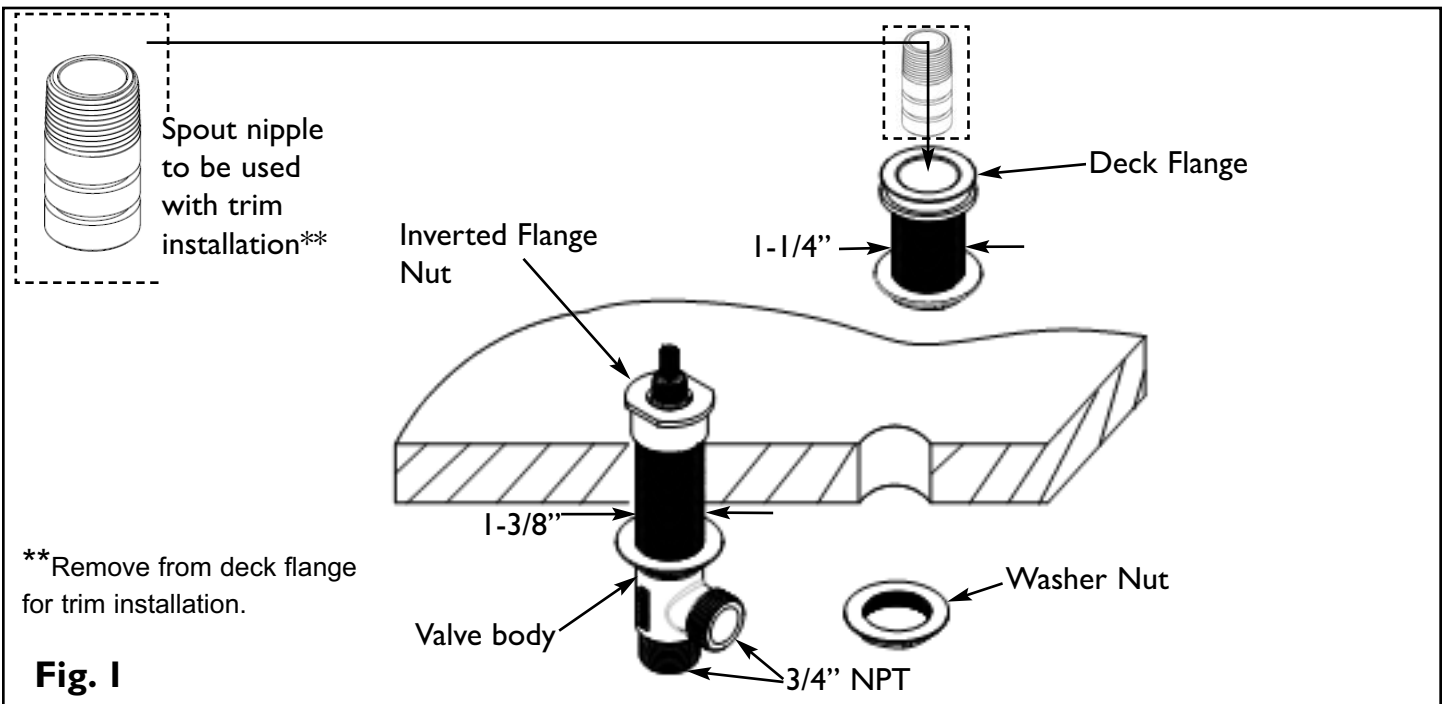
## Rough-in Valve Installation

Recommended Installation by a Professional Plumbing Contractor

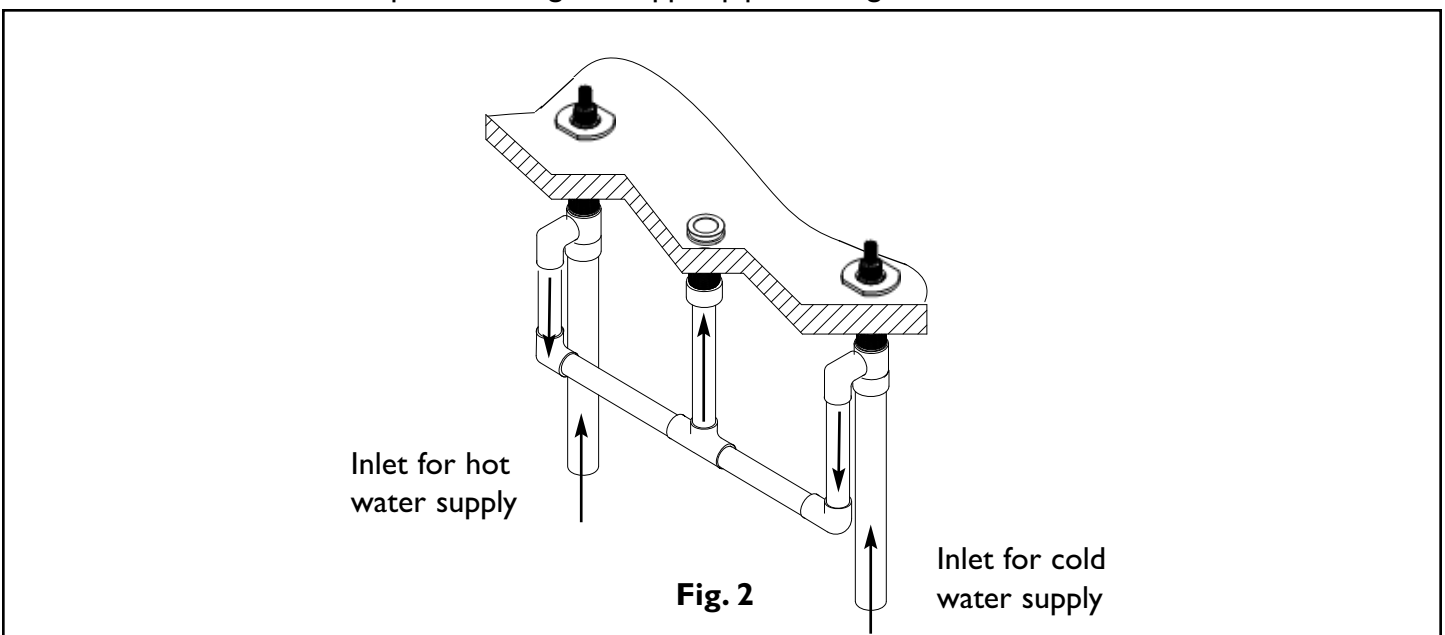
**Note:** Use plumbers tape or equivalent to seal all threaded joints.

**Warning:** To prevent severe damage to valve body, any solder/braze process must be performed a min. of 4" from ports.

1. Install the Spout quick connect Deck Flange through center hole of mounting surface. Secure with washer nut. See Fig. 1. Note: Spout Nipple is installed in the Deck Flange for safe keeping until the trim is to be installed.
2. Place washer nut on valve body. Insert body, (blue cold & red hot), through hole from below mounting surface. Thread Inverted Flange Nut onto top portion of valve until it bottoms out. This will ensure the correct stem height from mounting surface. Secure into place by tightening lower washer nut. See Figure 1.



3. Attach hot/cold valves to spout, utilizing 3/4" copper pipe. See Fig. 3.



## Trim Installation

Note: To achieve desired handle rotational alignment, the cartridge **MUST** be tightened in a clockwise rotation only. The use of petroleum base plumbers putty on our products will nullify the warranty. We recommend the use of clear silicone sealing materials. (Cartridge factory torque is set @ 14-16 ft-lbs.)

4. Apply plumbers tape to spout nipple and install into base of spout. Insert spout and nipple into deck flange. Make sure spout bottoms out onto quick connect spout and then secure in place with thread. See Fig. 3.
5. Place escutcheon over valve stem. Secure handle assembly into place by first engaging the valve stem, then position and holding the handle lever while rotating the bonnet. Any adjustments for rotational alignment must be made to the valve body, not to the cartridge. See Fig 3.
6. Turn on water supply, check for leaks and make any final adjustments required.

