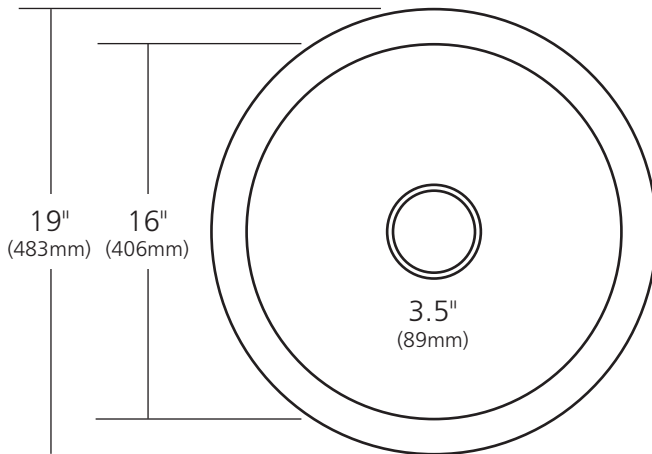


SPECIFICATIONS

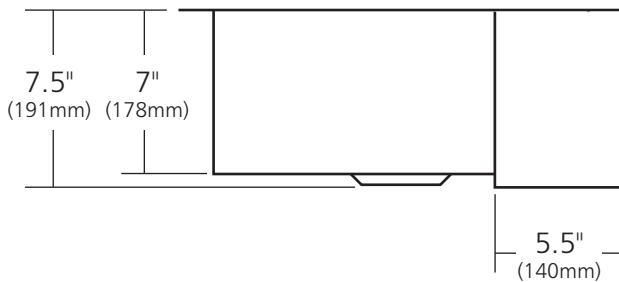
**FIESTA**



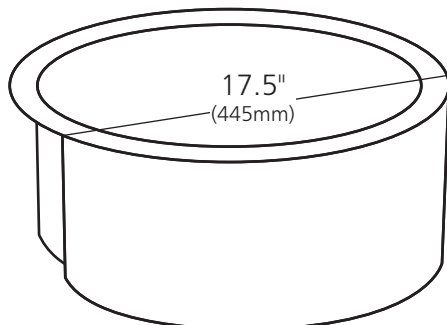
TOP VIEW



SIDE VIEW



PERSPECTIVE VIEW



CPS214- Antique  
CPS514- Brushed Nickel

**PRODUCT DETAILS**

- 19" x 7.5" OD (483mm x 191mm)
- 16" x 7" ID (406mm x 178mm)
- Hand hammered 16 gauge recycled copper
- Apron extends 5.5" (140mm) on sides
- 3.5" (89mm) drain opening
- Dimensions are not exact and may vary  $\pm 1/2"$  (13mm)

*This product may be customized.  
See [nativetrails.net/customization](http://nativetrails.net/customization) for details.*

**INSTALLATION**

- Undermount

**COORDINATING PRODUCTS**

- Drains: DR320 or DR340
- Bottom Grid: GR914
- MetalProtect™

**STANDARDS COMPLIANCE**

- UPC/cUPC compliant

**IMPORTANT**

Due to the handcrafted nature of this product, it will vary in finish, texture, hammering, and other details. Dimensions may vary up to 1/2" (13mm). We strongly recommend waiting for the actual product before making any installation cuts.