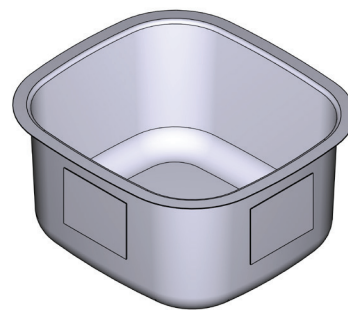


Model Number	Faucet Holes	Depth-Inches	Drain Placement
GS18463	N/A	9"	Center



### SINK DESCRIPTION

- Single bowl undermount sink
- 18 gauge stainless steel, brushed finish
- Undermount Clips included
- SoundSHIELD™ sound absorbing system

### WARRANTY

- Lifetime limited warranty to the original homeowner
- 10 year limited warranty when used in a Multi-family installation
- 5 year limited warranty when used in a Commercial installation
- Visit [www.moen.com/customer-support/warranty](http://www.moen.com/customer-support/warranty) for complete details and limitations

### SINK DIMENSIONS

- Minimum Cabinet Size: 21"
- Overall: 16-1/2" x 18"
- Bowl: 14-5/8" x 16"
- Drain Size: 3-1/2"
- Sink Radius: R100

### CUT OUT DIMENSIONS

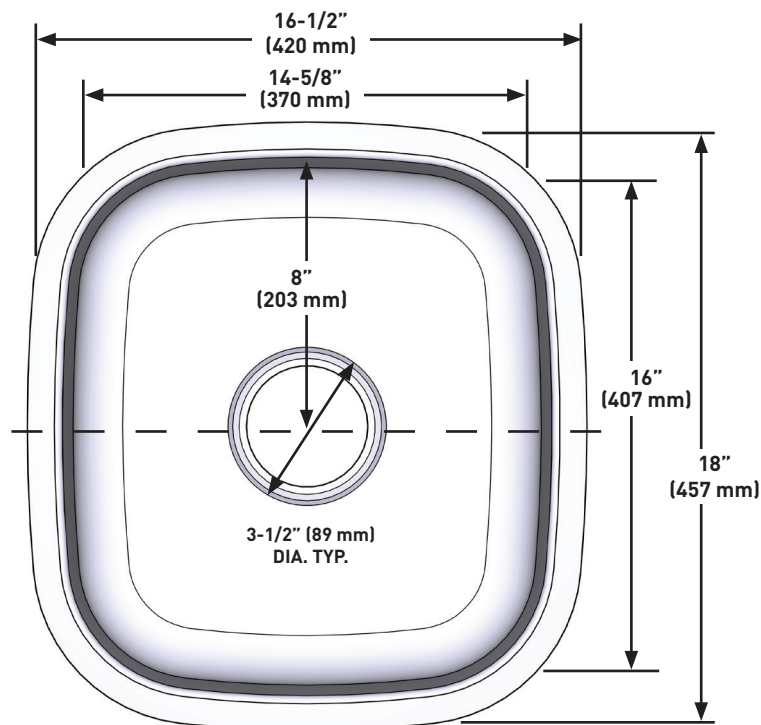
- Cut out template included

### STANDARDS

- Third party certified to meet ASME A112.19.3/CSA B45.4 and all applicable specifications referenced therein

## CRITICAL DIMENSIONS

[DO NOT SCALE]



### Installation Detail

