

# Shower Rods Technical Specification

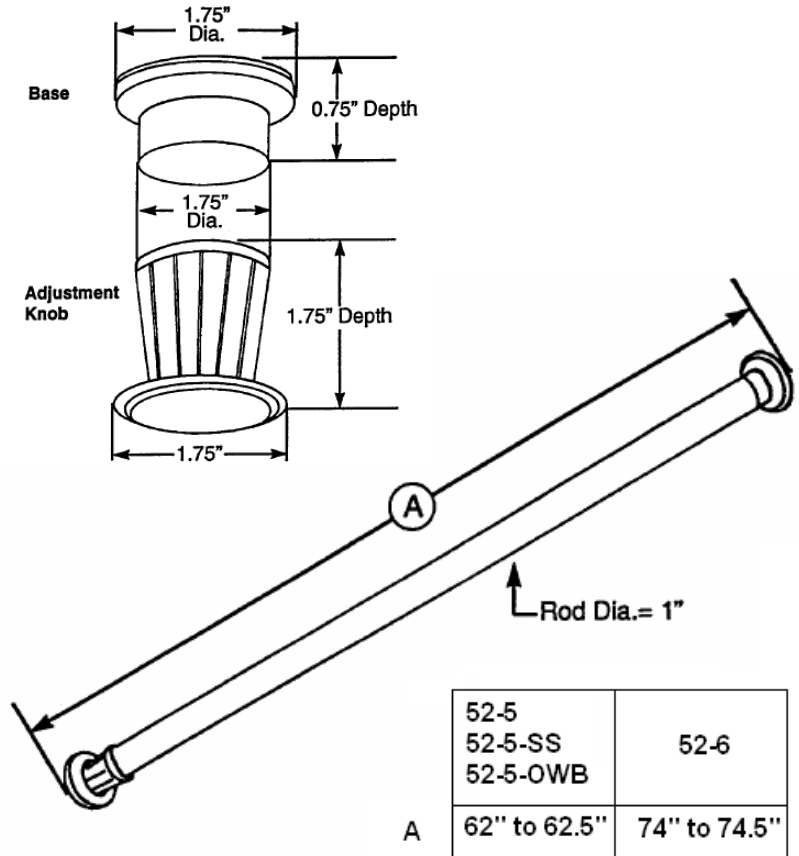
## Shower Rod Sets – Adjustable

52

### Stock Numbers:

- **52-5 – 5' Aluminum Shower Rod Set**  
Polished Chrome Finish  
1" Diameter Rod  
Zinc Alloy Adjustable Flanges (52-F)  
White Foot Pads
- **52-5-BN – 5' Stainless Steel Shower Rod Set**  
Brushed Finish  
1" Diameter Rod  
Zinc Alloy Adjustable Flanges  
White Foot Pads
- **52-5-OWB – 5' Aluminum Shower Rod Set**  
Old World Bronze Finish  
1" Diameter Rod  
Zinc Alloy Adjustable Flanges  
Black Foot Pads
- **52-5-SS – 5' Stainless Steel Shower Rod Set**  
Polished Chrome Finish  
1" Diameter Rod  
Zinc Alloy Adjustable Flanges (52-F)  
White Foot Pads
- **52-6 – 6' Aluminum Shower Rod Set**  
Polished Chrome Finish  
1" Diameter Rod  
Zinc Alloy Adjustable Flanges (52-F)  
White Foot Pads

### Dimensions:



### Materials:

**Aluminum Chrome Shower Rods** are 28-gauge aluminum with a triple plated polished chrome finish.

**"SS" Shower Rods** are 28-gauge stainless steel with a triple plated polished chrome finish.

**Old World Bronze Shower Rods** are 20-gauge aluminum with a powder coated finish.

**Brushed Nickel Shower Rods** are 23-gauge #430 brushed stainless steel.

### Installation Instructions:

1. Place flanges on both ends of shower rod.
2. Position rod assembly in desired location.
3. Tighten assembly against wall by twisting adjustment knob counter clockwise.

**Stock Number:** \_\_\_\_\_ **Shower Rod**  
By Creative Specialties



25300 AL MOEN DRIVE • NORTH OLMSTED, OH 44070  
CORPORATE HEADQUARTERS: (800) 321-8809 • FAX: (800) 848-6636  
INTERNATIONAL: (440) 962-2000 • FAX: (440) 962-2726  
CUSTOMER SERVICE (USA): 800-882-0116 • FAX: (888) 379-2720  
WWW.MOEN.COM

©Copyright Creative Specialties International

Literature # BA1391

MOEN/CS SPEC/07/300012759