

INSTALLATION INSTRUCTIONS FOR N6450-652

For Flush Mount Ceiling Fixture

WARNING! SHUT POWER OFF AT FUSE OR CIRCUIT BREAKER .
AVERTISSEMENT! COUPER LE COURANT AU NIVEAU DES FUSIBLES OU DU DISJONCTEUR.

MOUNTING THE FIXTURE (Fig.1)

1. Shut off the power at the fuse box or circuit breaker. If necessary, remove the old fixture, including the mounting hardware.
2. Carefully unpack your new fixture and lay out all the parts on a clear area. Take care not to lose any parts necessary for installation.
3. Attach the mounting plate to the outlet box using the two junction box screws (Size: #8-32*1/2"L). The side of the mounting plate marked "GND" must face out.

CONNECTING THE WIRES (Fig. 2)

4. Connect the electrical wires as follows (Fig.2). Connect the black wire from the fixture to the black house (hot) wire; connect the white wire from the fixture to the white house (neutral) wire. Make sure all wire nuts are secured. You may wrap the connections with electrical tape. If your outlet box has a ground wire (green or bare copper) connects fixture's ground wire to it. Other wise attach the bare copper fixture wire to the green ground screw (Size: #8-32*3/8"L) on the crossbar. Tuck the wire connections neatly into the ceiling junction box as you are holding the fixture assembly toward the ceiling.

COMPLETING THE ISNTALLATION (Fig. 1)

5. Attach the crystal cup (I), the big washer (J) and the column (K) to the bottom pipe nipple of the frame (H) then lock it securely with the nut (L).
6. Place the glass (G) over the frame (H) aligning the top pipe nipple, attach the small washer (F) and lock it securely with the brass nut (E).
7. Place the frame (H) onto the fixture body (A) aligning the hole, attach the washer (D) and lock it securely with the screw (C).
8. Install the light bulbs (not included) in accordance with the fixture's specifications: **DO NOT EXCEED THE MAXIMUM WATTAGE RATING! (NE PAS DEPASSER LA PUISSANCE NOMINALE MAXIMALE!)**
9. Put the fixture body (A) on to the junction box, aligning screws on mounting plate with mounting holes in canopy and lock it securely with the ball nut (B).

Your installation is now complete. Return power to the junction box and test the fixture.

Fig.1

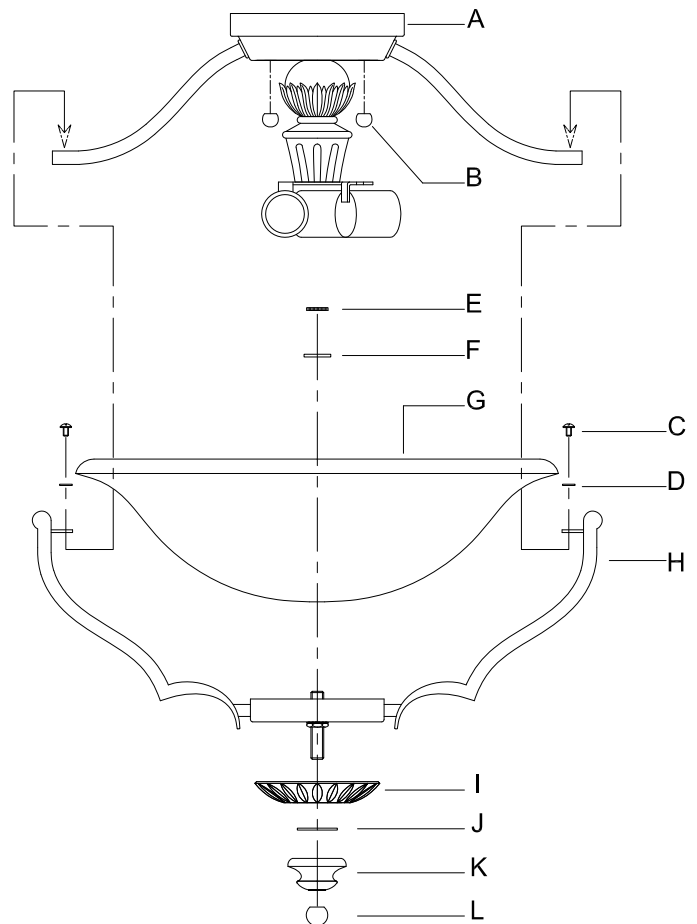
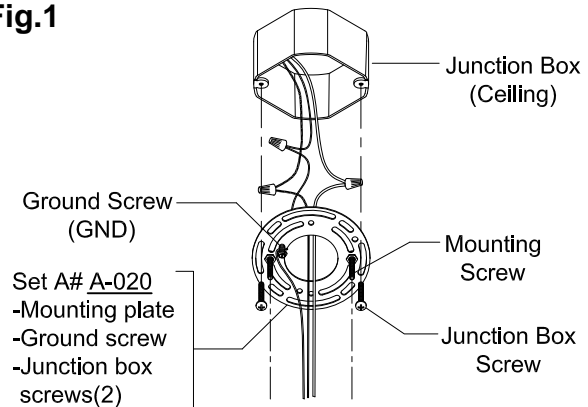


Fig.2

