

INSTALLATION INSTRUCTIONS

Item#4834-690

READ AND SAVE THESE INSTRUCTIONS

WARNING! SHUT POWER OFF AT FUSE OR CIRCUIT BREAKER .
AVERTISSEMENT! COUPER LE COURANT AU NIVEAU DES FUSIBLES OU DU DISJONCTEUR.

ASSEMBLING THE FIXTURE (Fig.2)

1. Shut off the power at the fuse box or circuit breaker. If necessary, remove the existing fixture and its mounting hardware from the ceiling.
2. Carefully remove the new fixture from the carton and check that all parts are included as shown in the illustration.
3. Determine the desired hanging height and thread rods (C, D) to the fixture body (E), attach the fixture loop (B) and the washer (I) to rods (C) by turning it clockwise until tight. Pass the wires carefully through each rod as you assemble.
The fixture loop (B) is mounted on the front.
4. Open the quick link (A) and connect to the fixture loop (B) and the canopy loop. Then close the quick link.
5. Feed the fixture wires through the loop and canopy and pull until tight.
6. Place the tube (G) and the glass cup (H) over the socket of the fixture body (E).
7. Install the light bulbs (not included) in accordance with the fixture's specifications: **DO NOT EXCEED THE MAXIMUM WATTAGE RATING! (NE PAS DEPASSER LA PUISSANCE NOMINALE MAXIMALE!)**

MOUNTING THE FIXTURE (Fig.1)

8. Thread one end of nipple into the crossbar until snug.
9. Place lock washer and hex nut over end of nipple protruding through crossbar, then thread hex nut until tight.
10. Take this crossbar assembly and mount to the ceiling outlet box using the mounting screws (**Size: #8-32N*L0.5"**). The side of the crossbar marked "GND" must face out. Tighten screws securely with screwdriver.

CONNECTING THE WIRES (Fig.3)

11. Connect the electrical wires as shown in figure 3, making sure that all wire connectors are secured. If your outlet box has a ground wire (green or bare copper), connect the fixture's ground wire to it. Otherwise, connect the fixture's ground wire directly to the crossbar using the green screw provided. After wires are connected, tuck them carefully into the ceiling junction box.

FINISHING THE INSTALLATION (Fig.1) (Fig.2)

12. Place the canopy over the crossbar and secure with finial.
13. Hang the crystal (F) to the bottom loop of the fixture body (E).

Your installation is now complete. Return power to the junction box and test the fixture.

Note: Illustration (Fig.1) (Fig.2) on this manual is for installation purposes only. It may or may not be identical to the fixture purchased.

Fig.1

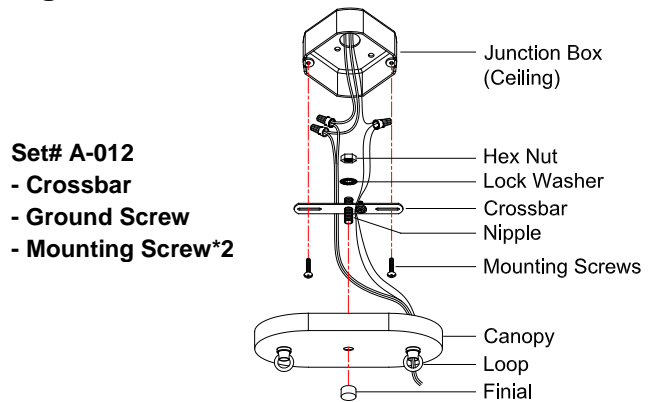


Fig.2

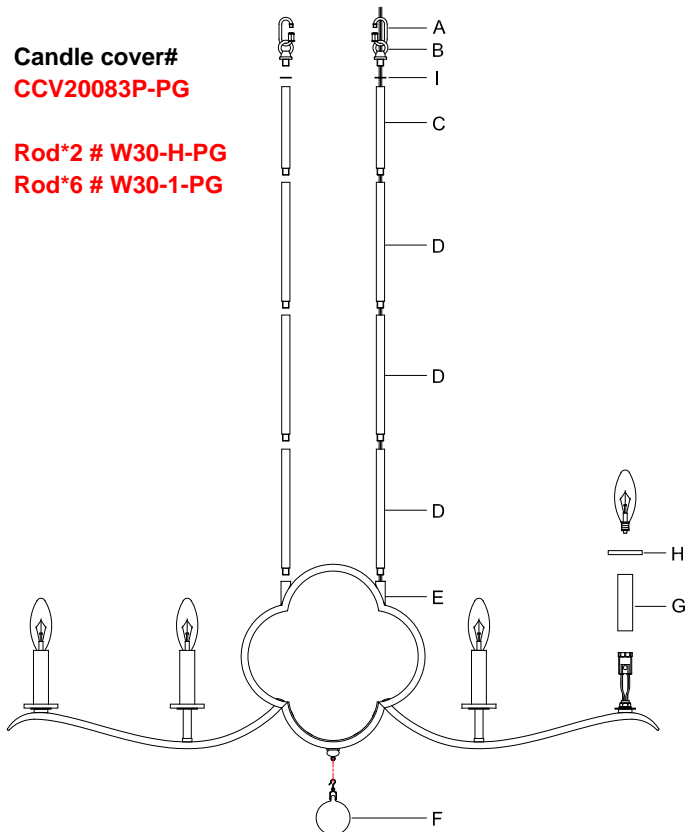


FIG.3

