

**YOLO** Chandelier & Pendants  
 PD-55718/ PD-55726/ PD-55735

**MODERN FORMS**

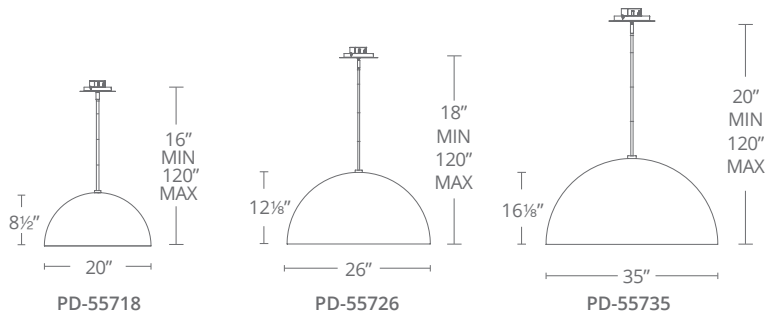


Fixture Type:

Catalog Number:

Project: \_\_\_\_\_

Location: \_\_\_\_\_



**PRODUCT DESCRIPTION**

Clean, contemporary, the YOLO pendant is imbued luster within a large spun-metal dome. Luxuriously hand applied finishes in dark bronze and gold leaf or white and silver leaf. Full range dimming. Beautiful warm ambient lighting. Now available in a larger than-life 35 inch pendant.

**FEATURES**

- 14K gold leaf or silver leaf interior
- Universal Driver (120-277V) within 4" junction box for 20" and 26" ONLY
- No transformer or driver needed ( 35" only)
- Three 12" and one 6" down rods included (additional down rods available for purchase)
- Rated Life: 50,000 hours
- Color temp: 3000K
- 277V option available (35" only)
- CRI: 90

**SPECIFICATIONS**

**Construction:** Aluminum

**Light Source:** High output LED

**Dimming:** ELV

**Finish:** Gold Leaf/Dark Bronze and Silver Leaf/White

**Standards:** ETL & cETL damp location listed, CEC Title 24 compliant (35" ONLY)

**ORDER NUMBER**

| Model           | Height | Wattage | Voltage  | LED Lumens | Delivered Lumens | Finish   |
|-----------------|--------|---------|----------|------------|------------------|--|
| <b>PD-55718</b> | 20"    | 21W     | 120-277V | 2000       | 660              | <b>GL</b> Gold Leaf/Dark Bronze<br><b>SL</b> Silver Leaf/White  |
| <b>PD-55726</b> | 26"    | 25W     | 120-277V | 2400       | 980              |  |
| <b>PD-55735</b> | 35"    | 41W     | 120V     | 3600       | 1192             |  |

Example: **PD-55726-GL**

For 277V special order add an "F" before the finish: PD-55735F-GL

|                        |   |                                    |                                    |
|------------------------|---|------------------------------------|------------------------------------|
| <b>modernforms.com</b> | <b>Headquarters/Eastern Distribution Center</b> | <b>Central Distribution Center</b> | <b>Western Distribution Center</b> |
| Phone (866) 810.6615   | 44 Harbor Park Drive                            | 1600 Distribution CT.              | 1750 Archibald Avenue              |
| Fax (800) 526.2585     | Port Washington, NY 11050                       | Lithia Springs, GA 30122           | Ontario, CA 91760                  |