

INSTALLATION INSTRUCTION

588 – LED Wall Sconce

WS-58814 / WS-58820 / WS-58827



MODERN FORMS
A WAC LIGHTING COMPANY

WARNING

IMPORTANT: NEVER attempt any work without shutting off the electricity.

- Read all instructions before installing.
- System is intended for installation by a qualified electrician in accordance with the National Electrical Code and local regulations.
- Go to the main fuse box, or circuit breaker. Place the main power switch in the "OFF" position and unscrew the fuse(s) or switch "OFF" the circuit breaker switch(es) that control the power to the fixture or room that you are working on.
- Place the wall switch in the "OFF" position.

CAUTION

- All parts must be used as indicated in these instructions. Do not substitute any parts, leave parts out, or use any parts that are worn out or broken. Failure to follow this instruction could invalidate the ETL/CETL listing of this fixture.

CAUTION When handling the fixture, do not apply pressure to the LEDs. Hold the fixture by the base only.

AVERTISSEMENT

IMPORTANT : Coupez l'électricité avant TOUTE manipulation.

- Lisez toutes les instructions avant d'installer.
- Système est destiné à être installé par un électricien qualifié en conformité avec le code national de l'électricité et les règlements locaux.
- Accédez au panneau central de disjoncteurs ou de fusibles de votre demeure et placez l'interrupteur principal en position d'arrêt (« OFF »).
- Placez l'interrupteur mural en position d'arrêt (« OFF »).

MISE EN GARDES

- Toutes les pièces doivent être utilisées tel qu'il est indiqué dans ces instructions. Ne remplacez pas les pièces, n'en laissez pas de côté et ne les utilisez pas si elles sont usées ou brisées. Le non-respect de ces instructions peut annuler l'homologation ETL/CETL du luminaire.

MISE EN GARDE Ors de la manipulation de l'appareil, ne pas appliquer de pression à la LED, tenir l'appareil par la seule base.

ADVERTENCIA

IMPORTANTE: NUNCA intente hacer trabajos sin desconectar el suministro eléctrico.

- Lea y comprenda todas las instrucciones e ilustraciones por completo antes de proceder con el ensamblaje e instalación de esta lámpara.
- Sistema está diseñado para ser instalado por un electricista calificado, de acuerdo con el código eléctrico nacional y las normas locales.
- Diríjase a la caja de fusibles o a la caja del interruptor de circuito principal en su hogar. Coloque el interruptor de alimentación principal en la posición "OFF" (APAGADO).
- Coloque el interruptor de la pared en la posición "OFF" (APAGADO).

PRECAUCIÓN

- Todas las piezas deben usarse como lo indican estas instrucciones. No reemplace las piezas, no omita piezas durante la instalación ni utilice piezas gastadas o rotas. El incumplimiento de esta indicación podría invalidar la calificación ETL/CETL esta lámpara.

PRECAUCIÓN Al manipular el aparato, no aplique presión a los LED, mantenga el aparato en la base sólo.

HARDWARE

A



Wire Connector
Qty: 3pcs+1 Extra
7EAC112201

B



Junction Box Screw
Qty: 4pcs+1 Extra
7MPF0825F1
#8-32x1
Nickle Plating

C



Mounting Screw
Qty: 1 Extra
4MPF0412S1BB1
5/32"-32 x 1/2
Brass Plating

D



Conversion Plate
QTY:1Extra
4MBC111121BB2
4MBC151110BB2
4MBC201105BB2
Brass Plating

E



Mounting Ring
QTY:1Extra
7MBC101501

F



Plastic Anchor
QTY:2pcs+1Extra
7TDD082401

G



Wood Screw
QTY:2pcs+1Extra
7MPF2204J2 (Ni)
Φ 4x 7/8 Ni

H



Metal Tube
QTY:2pcs+1Extra
7MBD076401

I



Conversion Plate Screw
QTY:1Extra
7MPF0405C1

modernforms.com
Phone (800) 526.2588
Fax (800) 526.2585

Headquarters/Eastern Distribution Center
44 Harbor Park Drive
Port Washington, NY 11050

Central Distribution Center
1600 Distribution Ct
Lithia Springs, GA 30122

Western Distribution Center
1750 Archibald Avenue
Ontario, CA 91760



INSTALLATION INSTRUCTION
588 – LED Wall Sconce
 WS-58814 / WS-58820 / WS-58827



Fig.1

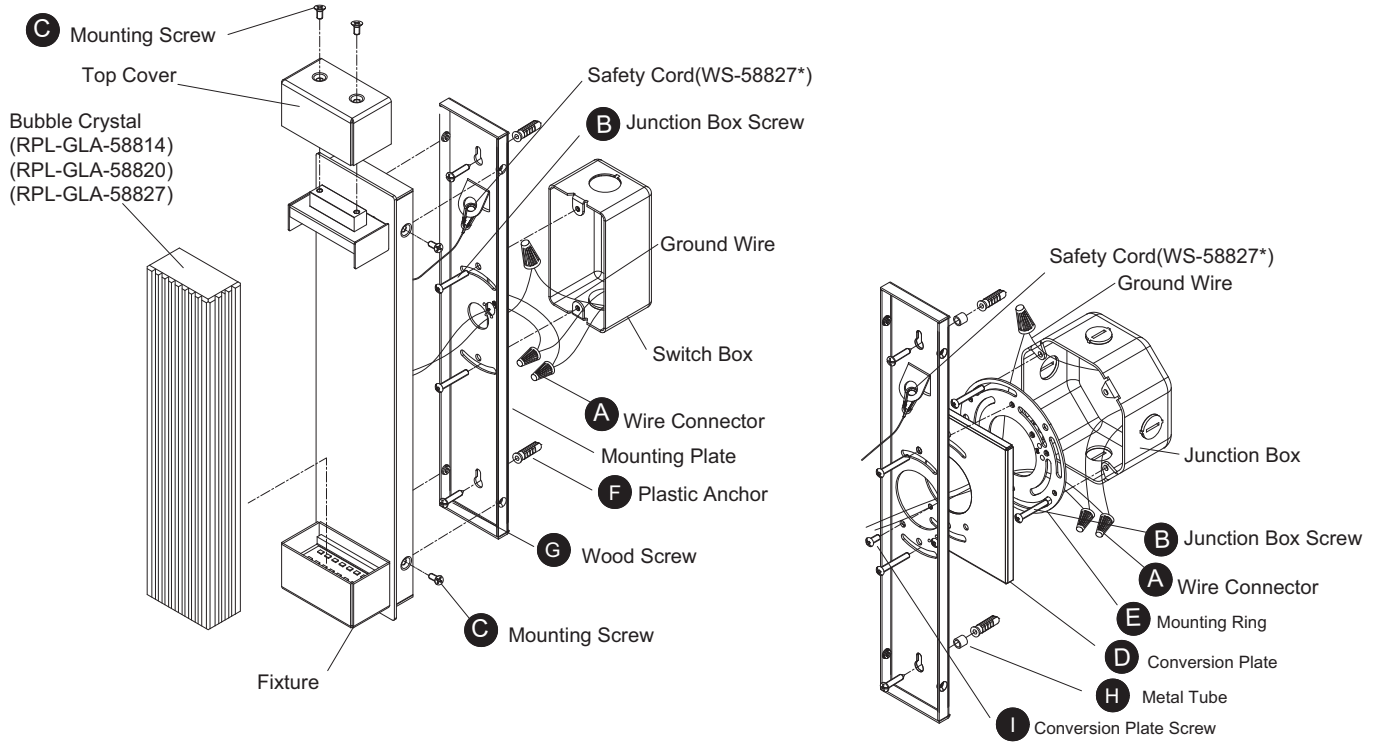


Fig. 2 Wiring



Fixture Wires Black or Smooth	House Wires Black (Hot)
Fixture Wires White or Ribbed	House Wires White (Neutral)
Fixture Wires Bare wire (Ground)	House Wires Green or Bare Copper (Ground)

PREPARATION

1. Shut off the power at the circuit breaker and remove existing fixture, including the crossbar.
2. Carefully unpack your new fixture and lay out all the parts on a clear area. Be careful not lose any small parts necessary for installation.

MOUNT ON 2x4" SWITCH BOX (Fig. 1)

3. Remove the mounting screw (C) as shown in Fig. 1.
4. Drill holes in the wall aligned with the key holes located in the mounting back plate, insert the plastic anchor (F).
5. Secure the mounting plate to the switch box using junction box screws (B). Fasten it to the wall with wood screw (G), the side of the mounting plate marked "GND" must face out.
 - Hook the safety cord to the mounting plate.(WS-58827*)
6. Connect the fixture's wire to switch box wires as shown in Fig. 3, making sure that all wire connectors (A) are secured. If your outlet box has a green or bare copper ground wire, connect the fixture's ground wire to it. Otherwise, connect the fixture's ground wire directly to the back plate using the green screw provided. After wires are connected, tuck them carefully inside the switch box.
7. Secure the fixture to the mounting plate using the mounting screw (C).
8. Place the bubble crystal on the fixture as shown in Fig. 1. Place the top cover on the fixture as shown, then secure it using the mounting screw (C).

modernforms.com
 Phone (800) 526.2588
 Fax (800) 526.2585

Headquarters/Eastern Distribution Center
 44 Harbor Park Drive
 Port Washington, NY 11050

Central Distribution Center
 1600 Distribution Ct
 Lithia Springs, GA 30122

Western Distribution Center
 1750 Archibald Avenue
 Ontario, CA 91760



INSTALLATION INSTRUCTION

588 – LED Wall Sconce

WS-58814 / WS-58820 / WS-58827

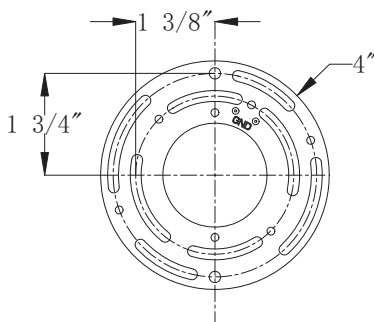


MODERN FORMS
A WAC LIGHTING COMPANY

MOUNT ON 4x4" JUNCTION BOX (Fig. 2)

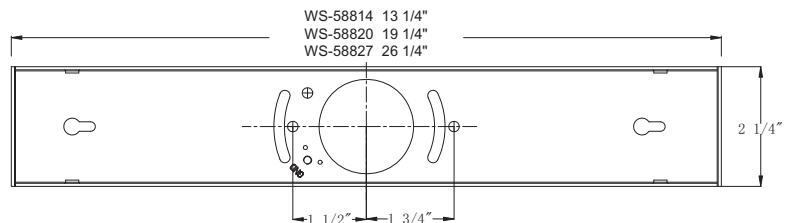
3. Remove the mounting screw (C) as shown in Fig. 1.
4. Drill holes in the wall aligned with the key holes located in the mounting back plate, insert the plastic anchor (F).
5. Secure the mounting plate to the conversion plate using conversion plate screw(I).
6. Secure the mounting plate and conversion plate to the mounting ring (E) using junction box screws (B) as shown in Fig. 2.. The side of the mounting plate marked "GND" must face out.
 - Hook the safety cord to the mounting plate.(WS-58827*)
7. Connect the fixture's wire to junction box wires as shown in Fig. 3, making sure that all wire connectors (A) are secured. If your outlet box has a green or bare copper ground wire, connect the fixture's ground wire to it. Otherwise, connect the fixture's ground wire directly to the back plate using the green screw provided. After wires are connected, tuck them carefully inside the switch box.
8. Secure the fixture to the mounting plate using the mounting screw (C).
9. Place the bubble crystal on the fixture as shown in Fig. 1. Place the top cover on the fixture as shown, then secure it using the mounting screw (C).

Mounting Ring Dimensions



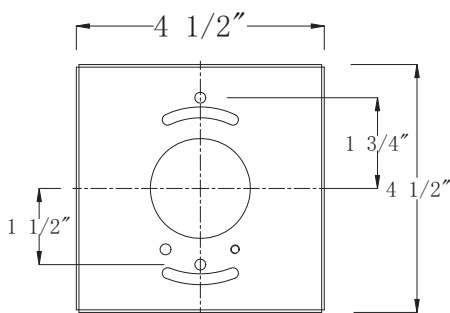
7MBC101501

Back Plate Dimensions

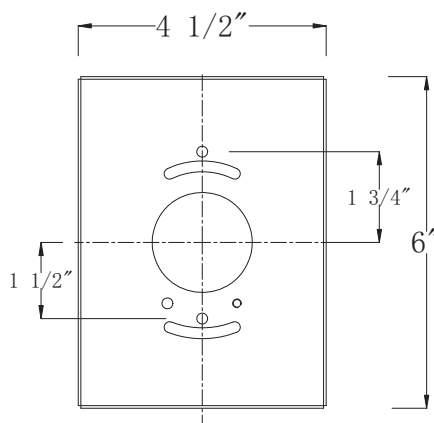


WS-58814:7MBC325701
WS-58820:7MBC485701
WS-58827:7MBC505701

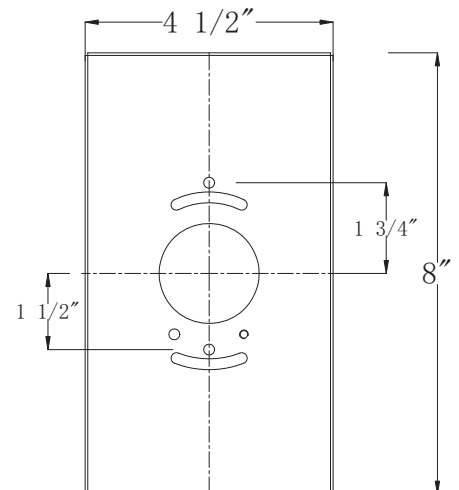
Conversion Plate Dimensions



WS-58814:4MBC111121BB2



WS-58820:4MBC151109BB2



WS-58827:4MBC201106BB2

modernforms.com
Phone (800) 526.2588
Fax (800) 526.2585

Headquarters/Eastern Distribution Center
44 Harbor Park Drive
Port Washington, NY 11050

Central Distribution Center
1600 Distribution Ct
Lithia Springs, GA 30122

Western Distribution Center
1750 Archibald Avenue
Ontario, CA 91760

