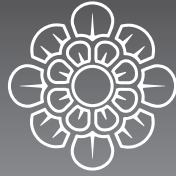
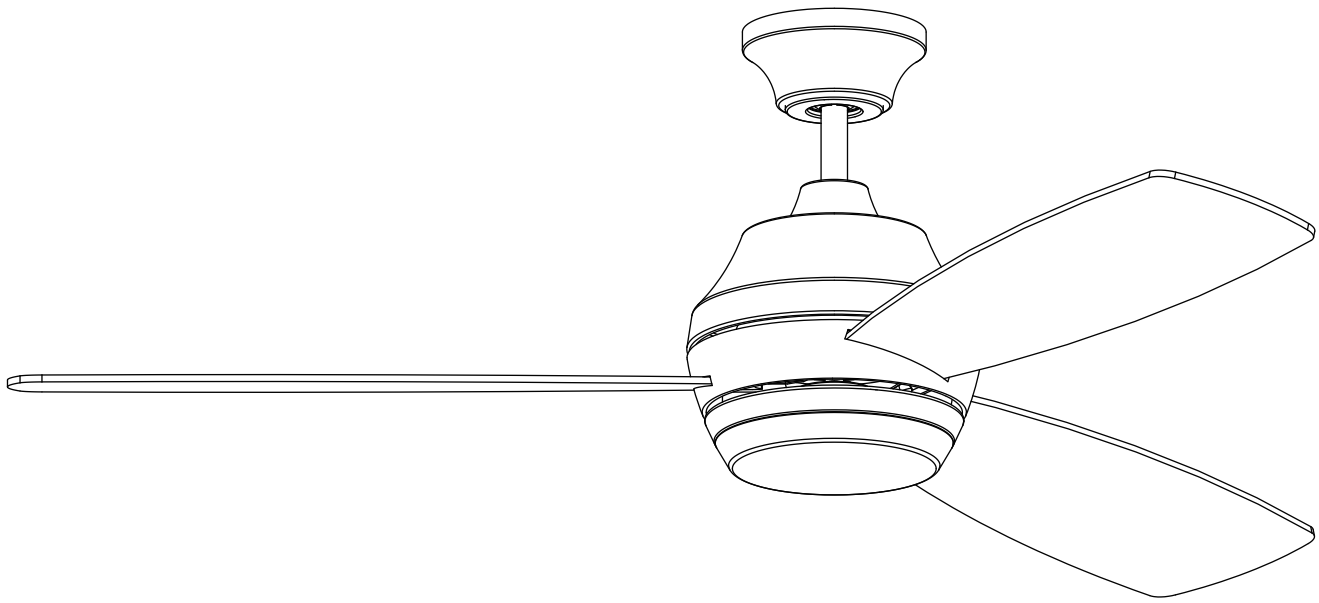


# MONTE CARLO



FAN COLLECTIONS

## Owner's Guide and Installation Manual



### 3IKDR52XXXD Series Fan

CUL Model NO. : 3IKDR52XXXD

Attach sales receipt to this card and retain as your proof of purchase

DATE OF PURCHASE: \_\_\_\_\_

RETAILER NAME: \_\_\_\_\_

MODEL NUMBER: \_\_\_\_\_

RETAILER ADDRESS: \_\_\_\_\_

To register your fixture, please visit our website [www.montecarlofans.com](http://www.montecarlofans.com)



7.35 kg  
16.17 lbs

Total fan weight with light



# Cautions and Warnings

**WARNING:** TO REDUCE THE RISK OF FIRE, ELECTRIC SHOCK, OR INJURY TO PERSONS, OBSERVE THE FOLLOWING  
READ AND SAVE THESE INSTRUCTIONS

Installation work and electrical wiring must be done by qualified person(s) in accordance with applicable codes and standards (ANSI/NFPA 70), including fire-rated construction.

Use this unit only in the manner intended by the manufacturer. If you have any questions, contact the manufacturer.

After making the wire connections, the wires should be spread apart with the grounded conductor and the equipment-grounding conductor on one side of the outlet box and ungrounded conductor on the other side of the outlet box. The splices, after being made, should be turned upward and pushed carefully up into the outlet box.

**WARNING:** Before you begin installing, servicing or cleaning the fan unit, switch the power off at the service panel and lock the service panel to prevent the power from being switched back on accidentally. If the service panel cannot be locked to prevent the power from being switched on accidentally, securely fasten a warning sign to the service panel.

Be cautious! Read all instructions and safety information before installing your new fan. Review the accompanying assembly diagrams.

When cutting or drilling into wall or ceiling, do not damage electrical wiring and other hidden utilities.

Make sure the installation site you choose allows the fan blades to rotate without any obstructions. Allow a minimum clearance of 7 feet from the floor to the trailing edge of the blade.

**WARNING:** To reduce the risk of fire, electric shock, or personal injury, mount to outlet box marked "Acceptable for Fan Support of 15.9 kg (35 lbs) or less" and use mounting screws provided with the outlet box.

**CAUTION:** Comply with local codes and regulations. If installing the secondary support safety cable in the U.S., do not remove knockouts in the outlet box. Mount the secondary support safety cable through the reserved nail/screw hole on the outlet box to the building structure or the ceiling joist.

**WARNING:** To reduce the risk of personal injury, do not bend blade holders during installation to motor, balancing or during cleaning. Do not insert foreign object between rotating blades.

Attach the mounting bracket using only the hardware supplied with the outlet box.

**WARNING:** To reduce the risk of fire or electric shock, this fan should only be used with fan speed control part no. MR181A-3 manufactured by Satellite Electronic (Zhongshan) Ltd.

**WARNING:** To reduce the risk of fire or electric shock, do not use this fan with any other solid state fan speed control device, or variable speed control. If this unit is to be installed over a tub or shower, it must be marked as appropriate for the application.

Never place a switch where it can be reached from a tub or shower.

The combustion airflow needed for safe operation of fuel-burning equipment may be affected by this unit's operation. Follow the heating equipment manufacturer's guideline safety standards such as those published by the National Fire Protection Association (NFPA), and the American Society for Heating, Refrigeration and Air Conditioning Engineers (ASHRAE) and the local code authorities.

**CAUTION:** To reduce the risk of electric shock, disconnect the electrical supply circuit to the fan before installing the light kit.

**CAUTION:** The light source is designed for this specific application and can overheat if serviced by untrained personnel. If any servicing is required, the product should be returned to an authorized service facility for examination or repair.

All set screws must be checked and tightened where necessary before installation.

Tools Required for Assembly (not included): Electrical Tape, Phillips Screwdriver, Pliers, Safety Glasses, Stepladder and Wire Strippers

Customer Service  
800-969-3347

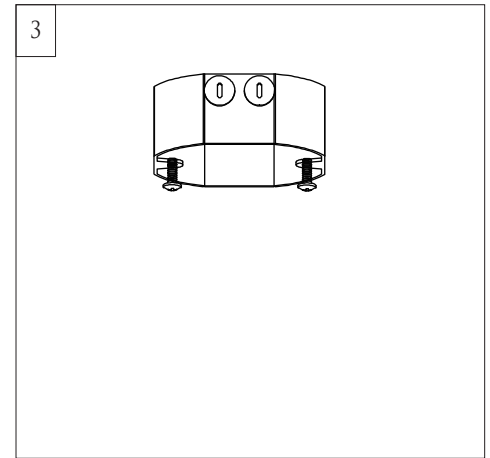
Customer Service Center  
7400 Linder Ave.  
Skokie, IL 60077  
[www.montecarlofans.com](http://www.montecarlofans.com)



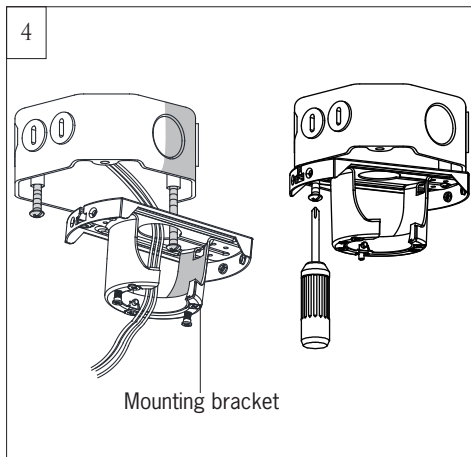
Before you begin installing the fan, Switch power off at Service panel and lock service disconnecting means to prevent power from being switched on accidentally. When the service disconnecting means cannot be locked, securely fasten a warning device, such as a tag, to the service panel.  
**Use AC 120V/60HZ power supply only.**



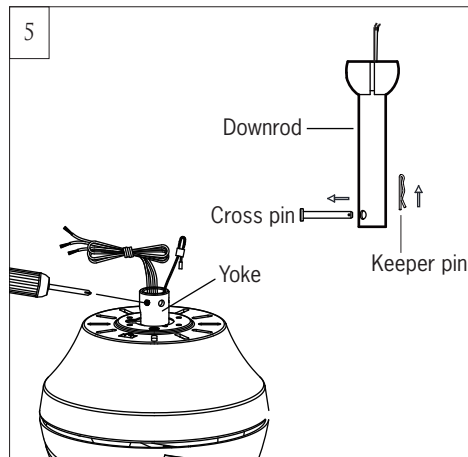
Before installing this fan make sure the outlet box is properly installed to the house structure. To reduce the risk of fire, electric shock, or personal injury, mount to outlet box or supporting system acceptable for fan support. (Mounting must support at least 35 lbs.)



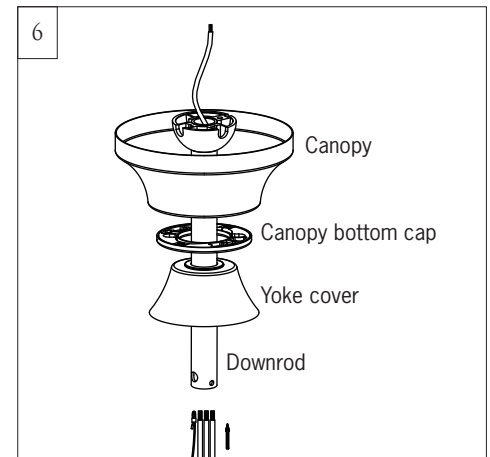
Use metal outlet box suitable for fan support and use only the screws provided with the outlet box (must support 35 lbs). Before attaching fan to outlet box, ensure the outlet box is securely fastened by at least two points to a structural ceiling member ( a loose box will cause the fan to wobble).



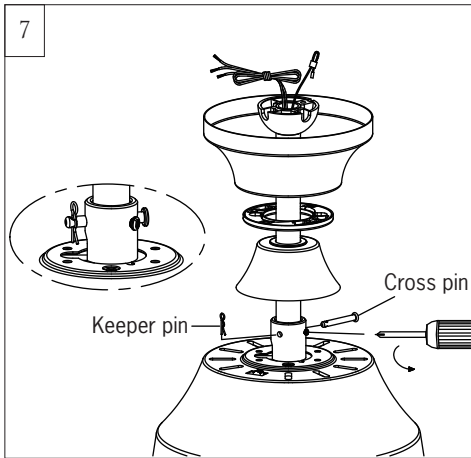
Install the mounting bracket onto the outlet box.  
 Partially loosen the two screws on the outlet box, attach the mounting bracket onto the outlet box by sliding it over the two screws as shown in the illustration. Have the mounting bracket in position and tighten the set screws.



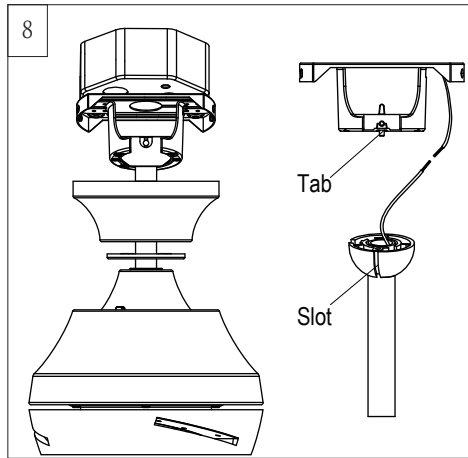
Partially loosen downrod set screws from yoke at top of motor assembly. Remove preassembled keeper pin and cross pin from downrod. Keep parts



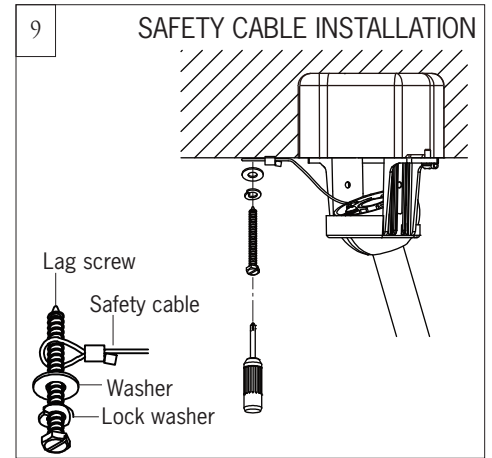
Place downrod over canopy, canopy bottom cap and yoke cover. Thread lead wires and safety cable from motor assembly through downrod.



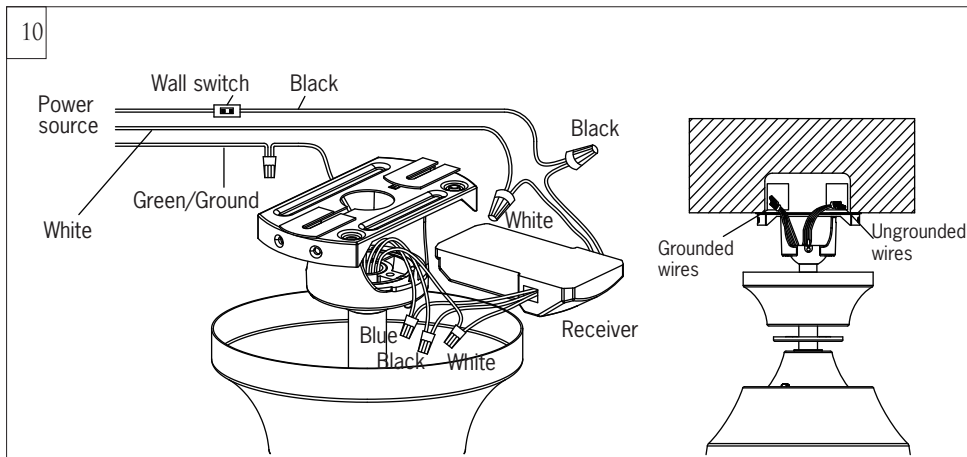
Slip downrod into motor housing yoke, aligning holes and install cross pin and keeper pin.  
 Insert cross pin through yoke and downrod until point appears on the other side, and insert keeper pin on cross pin.  
 Pull the downrod up tight against the cross pin, and then evenly tighten the downrod set screws on motor housing yoke.  
 Place yoke cover on top housing of fan.  
**Warning:** Cross pin and keeper pin must be installed securely, failure to install them will result in serious injury.



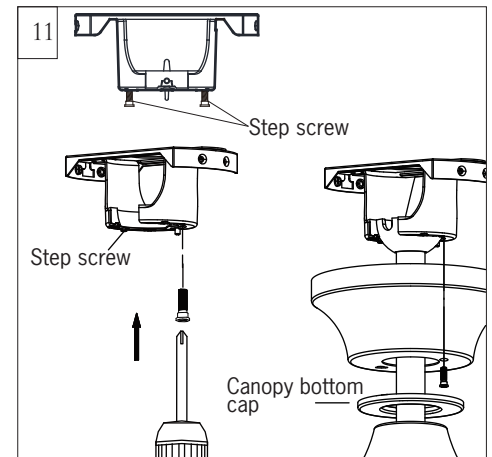
Install ball end of downrod into mounting bracket opening. Align (engage) slot on ball with tab on mounting bracket.  
**Warning:** Failure to align slot on ball with tab may result in serious injury.  
**Important:** If using the angle mount, make sure open end of mounting bracket is installed facing the higher point of the ceiling and make sure the ceiling angle is not steeper than 20°. Longer downrod may be necessary allowing the fan blades to rotate without obstructions.



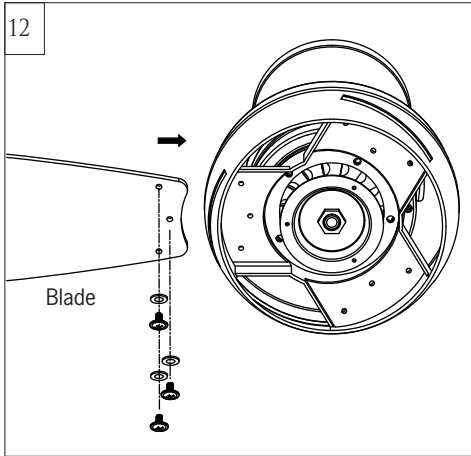
For Canadian installation and for USA fan and light kit combinations over 35 lbs, in both flush and downrod modes the safety cable must be installed into the house structure beams using 3" lag screws, washers and lock washers provided.  
 Make sure that when the safety cable is fully extended the lead wires are longer than the cable and no stress is placed on the lead wires.  
**Note:** If Installing The Secondary Support Safety Cable in the U.S., Do Not Remove Knockouts In The Outlet Box.



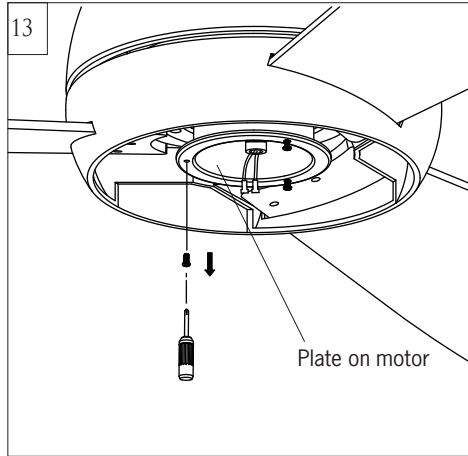
Make wiring connections using wire connectors provided as indicated above.  
 White from fan to White from remote marked to motor N.  
 Black from fan to Black from remote marked to motor L.  
 Blue from fan to Blue from remote marked FOR LIGHT.  
 White (Neutral) from house to White from remote marked AC IN N.  
 Black (Live) from house to Black from remote marked AC IN L.  
 Connect all green grounded wires to Grounded wire from House.  
 Make sure that no filaments are outside of the wire connectors.  
 Insert the remote receiver into mounting bracket.  
 After making the wire connections, the wires should be spread apart with the grounded conductor and the equipment-grounding conductor on one side of the outlet box and ungrounded conductor on the other side of the outlet box. The splices after being made should be turned upward and pushed carefully up into the outlet box.  
**Caution:** The installation has to be complete before operate the fan.



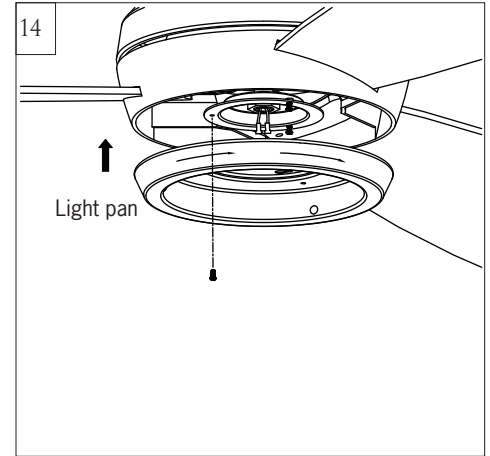
Partially loosen one and remove one preassembled step screw from mounting bracket (Do not remove the other set screws). Save the screw.  
 Lift canopy up, aligning its keyhole slot with the preassembled step screw on mounting bracket and twist clockwise to lock in place. Reinstall the other step screw and tighten the screws securely.  
 Attach canopy bottom cap onto canopy by aligning its holes with the step screws on mounting bracket and fix it with the magnet embraced.



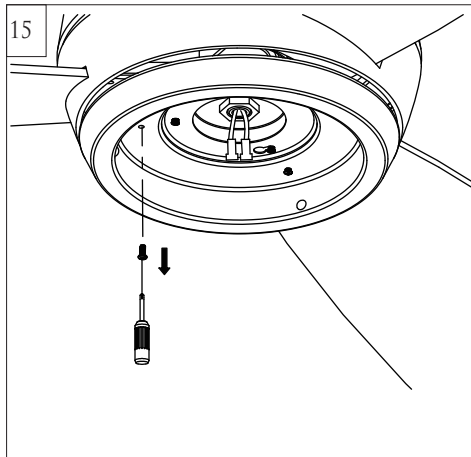
Insert blade into the slot on flywheel. Install blade with screws and washers provided, aligning each of the holes as shown and tighten all screws securely. Repeat this process for remaining blades.



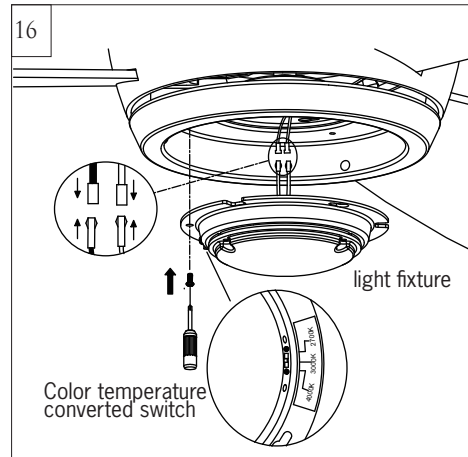
Loosen 2 and remove 1 preassembled screw from the plate on motor. Save screw for later use.



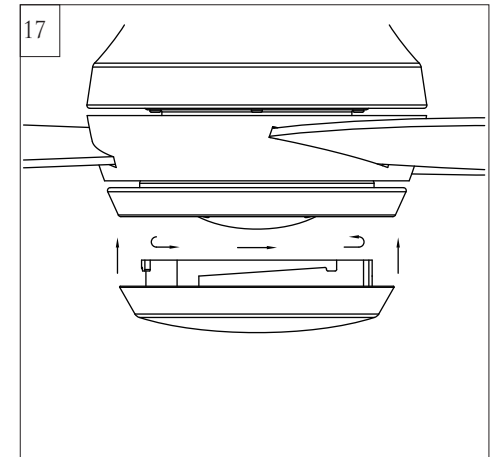
Place the lead wires from fan over the central hole of light pan. Aligning the keyhole slots on the light pan with the preassembled screws on the plate. Twist clockwise till lock. Reinstall the screw removed in installation step 13. Tighten all screws securely.



Loosen 2 and remove 1 preassembled screw from light pan. Save screw for later use.



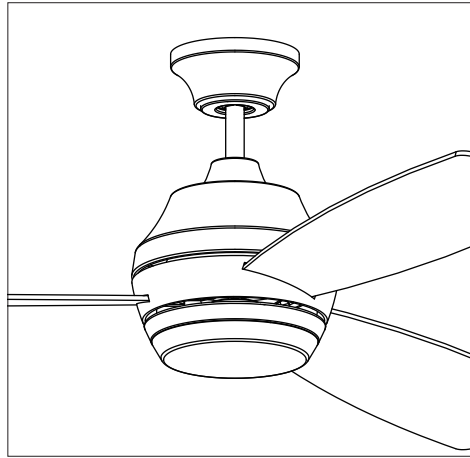
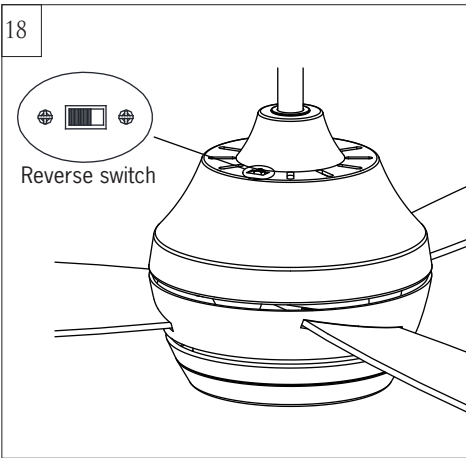
Connect white wire from fan to white wire from LED light fixture and then connect blue (or black) wire from fan to black (or blue) wire from LED light fixture. Be sure plugs connection clasped together firmly. Attach LED light fixture onto the light pan, aligning the keyhole slots on the LED light fixture with the preassembled screws on the light pan. Twist clockwise till lock. Reinstall the screw which was just removed. Tighten all screws securely. This light kit includes 2700 (Warm white), 3000 (Soft white) and 4000K (Daylight) correlated color temperatures (CCT). Get desired CCT by operating the converted switch.



Attach light shade by locating dimples in light pan with grooves on the light shade and twist clockwise until tight.



18



Setting the reverse switch on the left hand side will result in downward airflow and setting the switch on the right hand side will result in upward airflow.

**Note:** Reverse switch must be set either way completely. If the reverse switch is set in the middle position, fan will not operate.



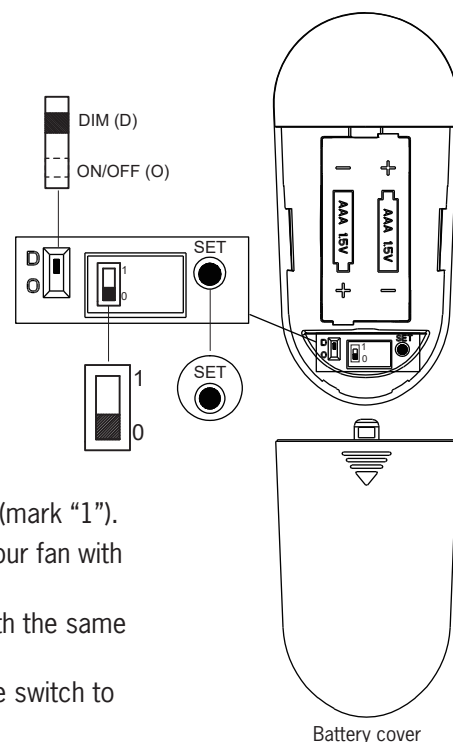
## Remote Controller Operation

Remove the battery cover from the remote control transmitter and install batteries. Replace the cover. This remote uses 2 1.5V/AAA batteries.

**Note:** If not using for long periods of time, remove the batteries to prevent damage to remote controller, and store the remote controller away from excess heat or humidity. The batteries will weaken with age and should be replaced before they leak or corrode as this will damage the controller. Dispose of the used batteries properly. Always keep batteries out of the reach of children.

### Dimming, Non Dimming Setting (Only available for fans with light)

In the dimming mold, it is a light dimming selection and it is to be used with dimmable luminaries. The remote controller is set with dimming function at factory. In ON/OFF (non-dimming mold), it is for light ON/OFF only (non-dimming function).



## Universal Mode and Learning Mode

Your remote controller has two options: “Universal Mode” (mark “0”) and “Learning Mode” (mark “1”). If choosing “Universal Mode,” simply move the switch to the LOWER position (mark “0”). Your fan with the remote controller is ready to use.

**Note:** If using Universal Mode, your fan can be controlled with other remote controllers with the same setting.

To control the fan with a specific remote controller, choose “Learning Mode” by moving the switch to the UPPER position (mark “1”) and then follow the Learn Mode steps below.

### Learn Mode

**Important:** Turn the power on for ONLY the specific fan you wish to pair with the remote controller. Make sure to turn the power off for all other fans with which you use the same remote controller.

Restore power to your fan, press and hold the “SET” button to pair the transmitter and receiver. You must press the “SET” button within 60 seconds of restoring power to the fan.

**Note:** Fan will at first operate at minimum speed and light will blink (if your fan has a light) after you’ve chosen Learn Mode.





**Note:** If the power is already on, you must turn the power off and then back on for the remote control setting.

**Note:** If you reset the controller to Universal Mode (mark “0”) and later want to pair the controller again to a specific fan, you have to repeat the Learn Mode steps.

### The remote control buttons control the fan speed as follows:

1 = low speed    2 = medium speed    3 = medium high speed  
4 = high speed

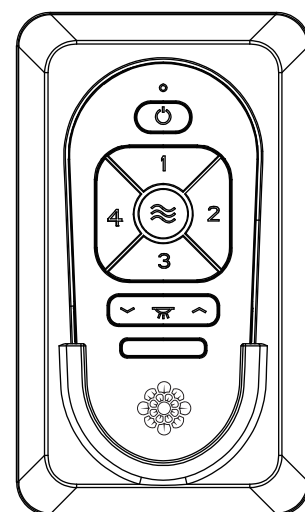
 This button turns the fan off.

-  Light button- Press this button to turn light on or off.
-  Light button- Press this button to desired brightness, dim to bright.
-  Light button- Press this button to desired brightness, bright to dim.
-  Breeze-

Press the Breeze button, the Fan will operate randomly among 1<sup>st</sup> - 4<sup>th</sup> speed until the breeze mode is canceled.

Breeze mode can be erased by pressing either the power or speed control buttons.

**Note:** This remote controller has auto resume function, the fan and light will maintain the last setting if turned off with exception of the Breeze mold.



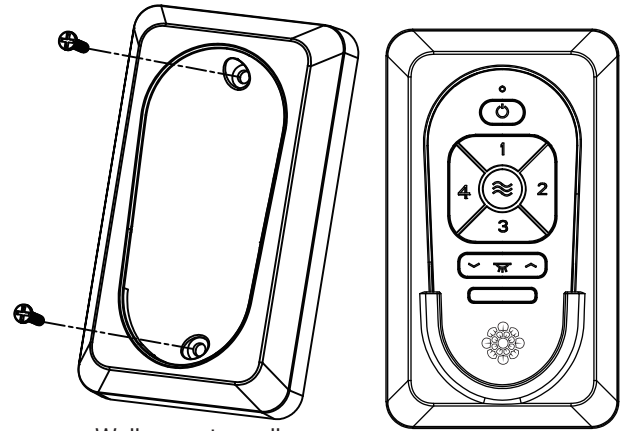


Install Transmitter wall mount cradle with 2 screws provided.

**Useful tips:**

The remote transmitter can be removed by pressing it upward from the lower half.

The remote transmitter can be held on magnetic metal materials by a magnet built in the transmitter.



Wall mount cradle

**User Tips**

1. If your fan is operating automatically after installation, it is still using the factory setting. Follow the settings for Learn Mode above to reset.
2. If the fan or light isn't working, reset power (turn the power off then turn the power back on) and follow the Universal Mode or Learn Mode remote control settings.
3. If two or more fans in the same remote signal range are on the same power supply, they cannot be operated separately by remote control. Use a separate power supply for each fan, such as an individual wall switch, and restrict the power supply to only the fan which you are pairing with its transmitter in order to use the remote controller.

THIS DEVICE COMPLIES WITH PART 15 OF THE FCC RULES OPERATION IS SUBJECT TO THE FOLLOWING TWO CONDITIONS. (1)THIS DEVICE MAY NOT CAUSE HARMFUL INTERFERENCE AND (2) THIS DEVICE MUST ACCEPT ANY INTERFERENCE RECEIVED, INCLUDING INTERFERENCE THAT MAY CAUSE UNDESIRE OPERATION.





# Troubleshooting

If you have difficulty operating your new ceiling fan, it may be the result of incorrect assembly, installation, or wiring. In some cases, these installation errors may be mistaken for defects. If you experience any faults, please check this Troubleshooting Chart. If a problem cannot be remedied, or you are experiencing difficulty in installation, please call our Customer Service Center at the number printed on your parts list insert sheet.

**Warning:** Before you begin installing, servicing or cleaning the fan unit, switch the power off at the service panel and lock the service panel to prevent the power from being switched back on accidentally. If the service panel cannot be locked to prevent the power from being switched on accidentally, securely fasten a warning sign to the service panel.

Trouble	Suggested Remedy
1. If fan does not start:	<ol style="list-style-type: none"><li>1. Check main and branch circuit fuses or circuit breakers.</li><li>2. Check line wire connections to fan and switch wire connections in switch housing.</li></ol> <p><b>CAUTION:</b> Make sure main power is turned off.</p> <ol style="list-style-type: none"><li>3. If this fan uses manual forward/reverse switch, make sure the switch is pushed firmly either way. Fan will not operate when switch is in the middle.</li><li>4. If this fan uses a remote controller, make sure dip switches are in the correct setting and make sure the battery works.</li></ol>
2. If fan sounds noisy:	<ol style="list-style-type: none"><li>1. Check to make sure all screws in motor housing are snug (not over tightened).</li><li>2. Check to make sure the screws which attach the fan blade holder to the motor are tight.</li><li>3. Check to make sure wire nut connectors in switch housing are not rattling against each other or against the interior wall of the switch housing.</li></ol> <p><b>CAUTION:</b> Make sure main power is turned off before entering switch housing.</p> <ol style="list-style-type: none"><li>4. Check to be sure lightbulb is tight in socket and not touching the glass shade.</li><li>5. Some fan motors are sensitive to signals from Solid State variable speed controls.</li><li>6. Allow "break-in" period of 24 hours. Most noises associated with a new fan will disappear after this period.</li></ol>
3. If fan wobbles:	<ol style="list-style-type: none"><li>1. If this is a downrod mount fan, make sure the ridge on mounting bracket engages the notch in the downrod ball.</li><li>2. Make sure that canopy, mounting bracket or mounting plate are tightened securely to ceiling junction box and junction box is mounted firmly to ceiling joist.</li><li>3. Check that all blades are screwed firmly into blade holders.</li><li>4. Check that all blade holders are tightened securely to motor.</li><li>5. Most fan wobble problems are caused when blade levels are unequal. Check this level by selecting a point on the ceiling above the tip of one of the blades. Measure this distance from blade tip to ceiling. Keeping measure within 1/8", rotate the fan until the next blade is positioned for measurement. Repeat for each blade. If all blade levels are not equal, you can adjust blade levels by the following procedure. To adjust a blade tip down, insert a washer (not supplied) between the blade and blade holder at the screw closest to the motor. To adjust a blade tip up, insert washer (not supplied) between the blade and blade holder at the two screws farthest from the motor. Reverse the position of the washer if blades mount from top of blade.</li><li>6. If blade wobble is still noticeable, interchanging two adjacent blades can redistribute the weight and possibly result in smoother operation.</li></ol> <p>If the above steps do not eliminate the wobble problem, you will need to dynamically balance your fan with balancing kit provided.</p>
4. If light does not work:	<ol style="list-style-type: none"><li>1. Check blue wire from fan to make sure it is connected to hot wire from house.</li><li>2. Check for loose or disconnected wires in fan switch housing.</li><li>3. Check for loose or disconnected wires in light kit.</li><li>4. Check for faulty lightbulb and make sure bulb is tight in socket.</li><li>5. Remove light kit and check the plug connections if they are present.</li><li>6. If this fan uses a remote controller, make sure dip switches are in the correct setting and make sure the battery works.</li></ol> <p><b>CAUTION:</b> Make sure main power is turned off before entering switch housing and/or canopy.</p>

