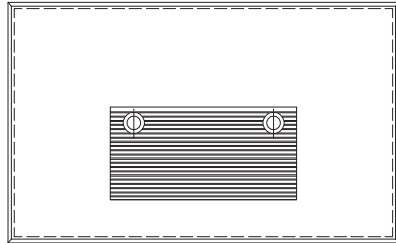




**PRODUCT NAME: Path LED Step Light**  
**ITEM NUMBER: 58000**

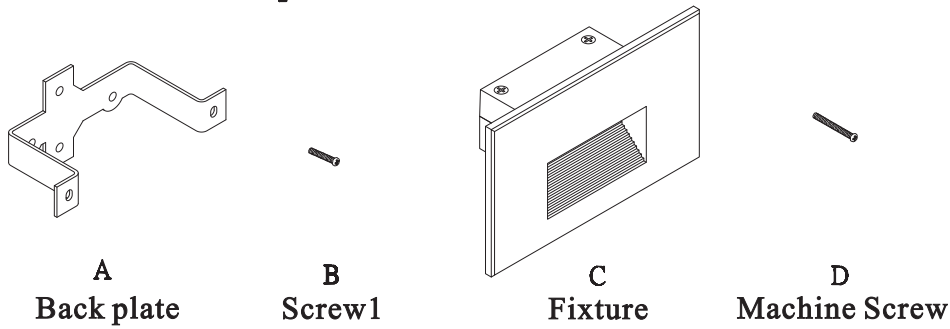
**Please consult your electrician for hanging fixture and wiring.**



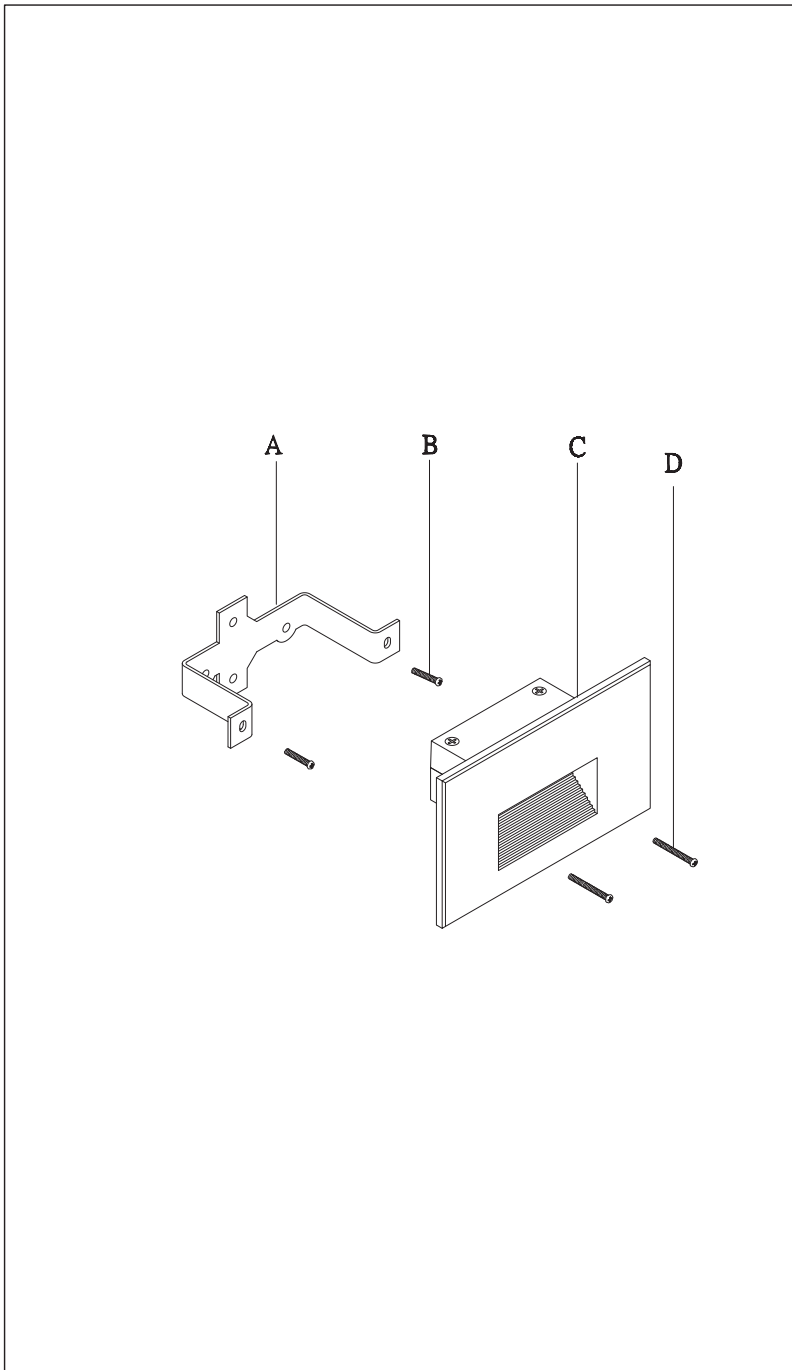
**To prevent water intrusion,  
caulk around back-plate where fixture  
meets the wall using outdoor silicone  
sealant (GE RTV 162 or equivalent).  
Leave a small gap at the bottom of the  
fixture to allow moisture to escape.**

**Bulb(included): 1\*4W LED**

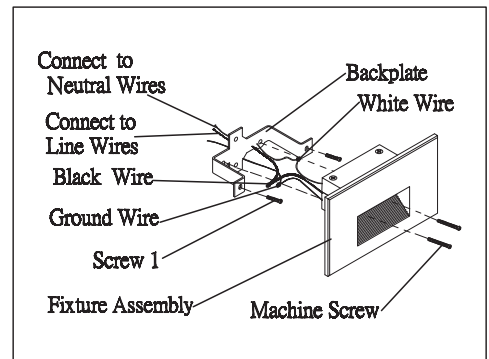
**IMPORTANT: Turn off the power at the main fuse or circuit breaker box before starting installation**



**Locate all hardware & components before discarding packaging**



1.)



1. Install a 2" x 4" junction box, and ensure it is water-tight for outdoor use.
2. Secure the mounting bracket to the junction box using two 8-32 junction box screws.
3. Connect the fixtures to the housing wires as follows: Black fixture wire to black (Hot) housing wire, White fixture wires to white (Neutral) housing wire, and Green fixture wire to Ground.
4. Place all wiring and connectors back in the junction box.
5. Use the rubber washer and mounting screw to install and secure the fixture to the mounting surface.

**Cleaning & Care:**

Clean with soft cloth and a mild detergent.  
Do not use abrasive cleaner.